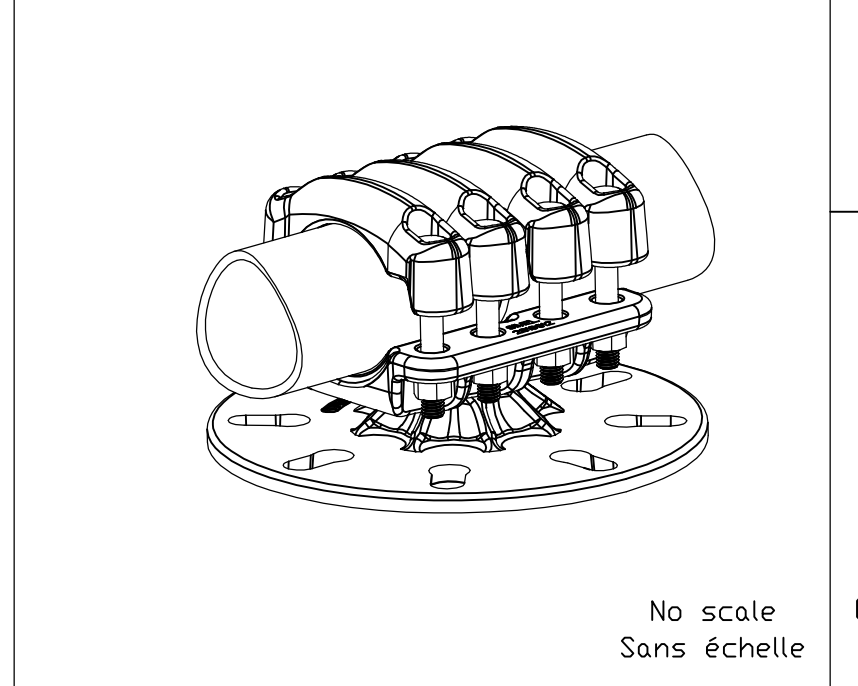
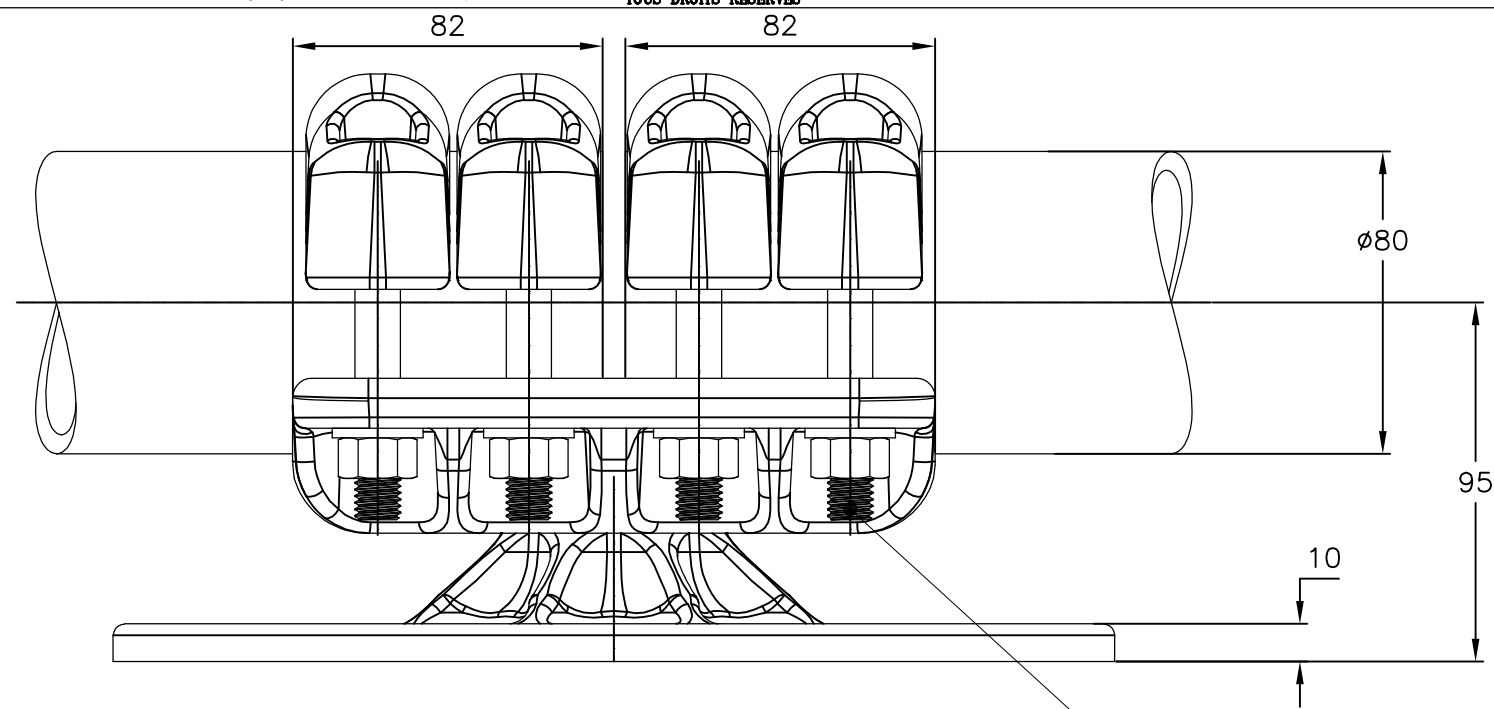


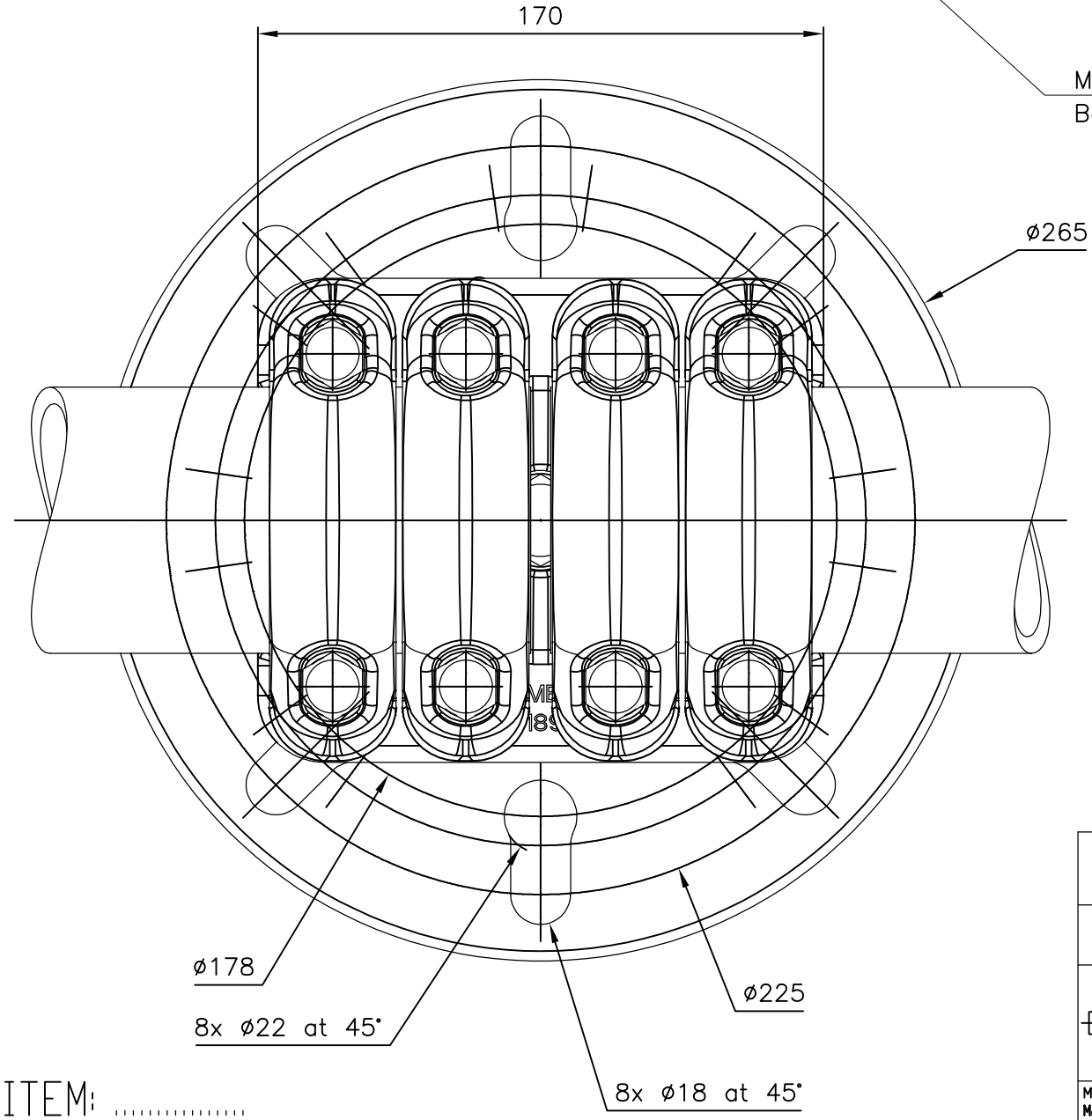
THIS DRAWING IS UNPUBLISHED.
 DIFFUSION RESTREINTE
 © COPYRIGHT 2011 by Tyco Electronics Corporation
 ALL RIGHTS RESERVED.
 TOUS DROITS RESERVES

RELEASED FOR PUBLICATION
 LIBRE A LA DIFFUSION
 2011

LOC	DIST	REVISIONS				
P	LTR REV	DESCRIPTION MODIFICATIONS	DATE	DWN DESS	APVD APPR	
-	-	CREATION	04-Feb-16	GL	-	



M12 Bolts stainless steel A4: 60Nm
 Boulons M12 acier inoxydable A4: 60Nm



THIS DRAWING IS A CONTROLLED DOCUMENT. <small>CE PLAN EST UN DOCUMENT CONTROLÉ PAR TYCO ELECTRONICS CORPORATION IL EST SUSCEPTIBLE D'ÊTRE REVISÉ. POUR OBTENIR LA DERNIÈRE RÉVISION, CONTACTER LE SERVICE TECHNIQUE DE TYCO ELECTRONICS SIMEL SAS, 21220 GEVREY-CHAMBERTIN, FRANCE.</small>		DWN /DESSINE LAFORGE	04-Feb-16	 TE connectivity SIMEL PRODUCTS	
DIMENSIONS: mm		CHK/VERIFIE -	APVD/APPROUVE -		
TOLERANCES UNLESS OTHERWISE SPECIFIED PER TOLERANCES NON SPECIFIEES SELON :-		PRODUCT SPEC 108-69094-001	APPLICATION SPEC -	BUS JUNCTION SUPPORT FOR TUBE SUPPORT JONCTION POUR TUBE 5 TJ 84 P7-P225 T80	
MATERIAL MATIERE -		FINISH FINITION -	APPROX. WEIGHT MASSE APPROX. 4.8 kg	SIZE FORMAT A3	CAGE CODE 00779
ITEM:		DRAWING NO No PLAN C=2300464		RESTRICTED TO RESERVE A -	
CUSTOMER DRAWING /PLAN CLIENT			UNIQUEMENT POUR REFERENCE	SCALE ECHELLE 1/2	SHEET FEUILLE 1 OF 1 DE 1