

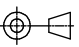


CODE 79 - HEAT SHRINK BOOT BACKSHELL

229M312-01-ET

SERIES _____
 ORDER NUMBER (TABLE 1) _____
 MATERIAL _____
 NICKEL ALUMINIUM BRONZE
 SHOT-BLAST FINISH
 MODIFICATION CODE _____
 REFER TO CH00-0250-004 (2)

NOTES:

1. THIS PRODUCT IS DESIGNED TO TERMINATE A HEAT SHRINKABLE LIPPED BOOT TO A CONNECTOR.
- (2) FOR ADDITIONAL DIMENSIONS, ORDERING INFORMATION AND MODIFICATIONS, SEE CH00-0250-004.
3. BACKSHELL TO BE PERMANENTLY MARKED/BAGGED AND LABELLED WITH CODE IDENTIFICATION NUMBER AND PART NUMBER. (e.g. 06090-229M312-01).
4. KNURL INSIDE BOOT GROOVE MAY BE SUPPLIED AT MANUFACTURER'S OPTION.
- (5) BACKSHELL MATES TO BS9522-F0020 PATT 608 CONNECTORS.

DRAWN	W.RUST	DATE 15/10/2015	 3RD ANGLE PROJECTION NOT TO SCALE	TITLE: <h2 style="text-align: center;">HEAT SHRINK BOOT BACKSHELL</h2>	 Polanco 		
CHECKED		15/10/2015					
APPROVED	K.SHEPPARD	15/10/2015				UNLESS OTHERWISE SPECIFIED ALL DIMENSIONS IN MILLIMETRES GENERAL TOL LINEAR +/-0.25MM ANGULAR +/- 1°	
APPROVED	H.SMITH	15/10/2015					
REVISIONS				ASSY USED ON:	BS9522-F0020 PATT 608		
LTR	DESCRIPTION	DATE	APPROVED				
3	REVISED	17/01/13	H.SMITH				
A	REVISED PER ECO-15-013980	15/10/2015	H.SMITH				
TE CAGE CODE: 06090 POLAMCO/TE CAGE CODE: U5792				TE CONNECTIVITY - POLAMCO LTD RESERVES THE RIGHT TO AMEND THIS DRAWING AND THE INFORMATION SET FORTH HEREON AT ANY TIME. USERS SHOULD INDEPENDENTLY EVALUATE THE SUITABILITY OF THE PRODUCT FOR THEIR APPLICATION.	DRAWING NO: 229M3XXSERIES	DRAWING REV: A	SHT 1

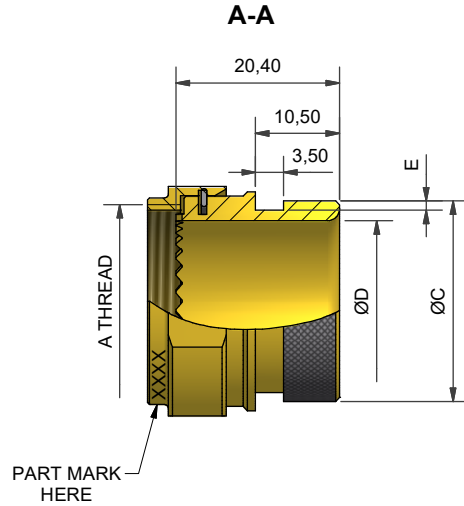
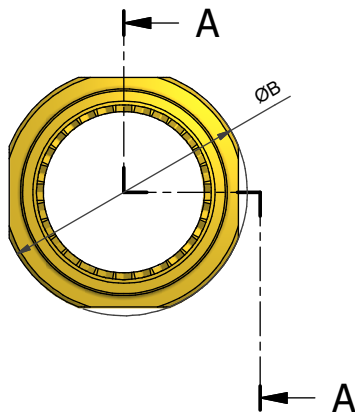
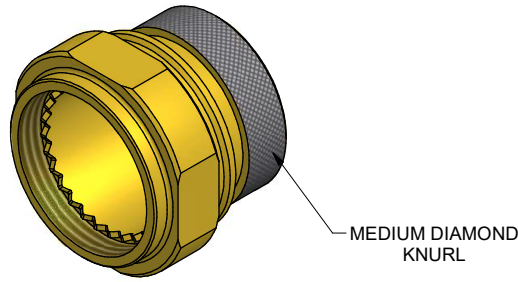


TABLE 1

BASE PART NUMBER	SHELL SIZE (5)	A THREAD	ØB MAX	ØC +0,00/-0,50	ØD MIN	E +0,20/-0,00
229M308	8	7/16-28UNEF	19,3	13,0	8,0	1,12
229M310	10	9/16-24UNEF	21,3	16,0	11,0	1,12
229M312	12	11/16-24UNEF	24,3	19,0	14,3	1,12
229M314	14	13/16-20UNEF	29,2	22,0	17,0	1,12
229M316	16	15/16-20UNEF	30,8	25,0	20,0	1,12
229M318	18	1 1/16-18UNEF	33,8	29,2	23,0	1,12
229M320	20	1 3/16-18UNEF	38,5	32,2	26,0	1,75
229M322	22	1 5/16-18UNEF	38,5	35,2	29,0	1,75
229M324	24	1 7/16-18UNEF	42,5	38,2	32,0	1,75

DRAWN	W.RUST	DATE	 3RD ANGLE PROJECTION NOT TO SCALE UNLESS OTHERWISE SPECIFIED ALL DIMENSIONS IN MILLIMETRES GENERAL TOL LINEAR +/-0,25MM ANGULAR +/- 1°
CHECKED		15/10/2015	
APPROVED	K.SHEPPARD	15/10/2015	
APPROVED	H.SMITH	15/10/2015	
REVISIONS			
LTR	DESCRIPTION	DATE	APPROVED
3	REVISED	17/01/13	H.SMITH
A	REVISED PER ECO-15-013980	15/10/2015	H.SMITH

TITLE:
HEAT SHRINK BOOT BACKSHELL

ASSY USED ON:
BS9522-F0020 PATT 608

