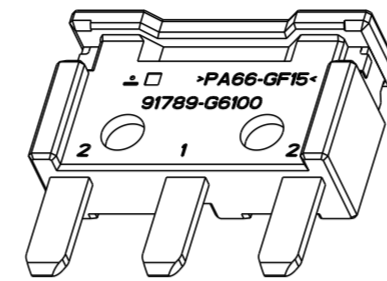


THIS DRAWING IS UNPUBLISHED. RELEASED FOR PUBLICATION
 © COPYRIGHT 2016 BY STMicroelectronics. ALL RIGHTS RESERVED.

REVISIONS					
P	LTR	DESCRIPTION	DATE	DWN	APVD
A		RELEASED	17.MAY.2016	HC	YD
B		REVISED(ECR-16-014101)	27.JUL.2016	HC	YD

3PIN DIODE ASSY



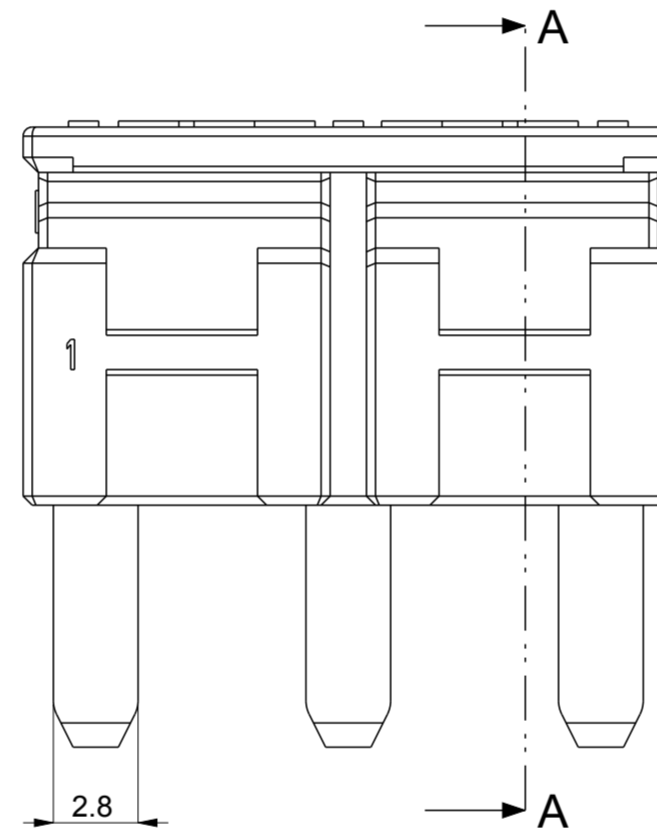
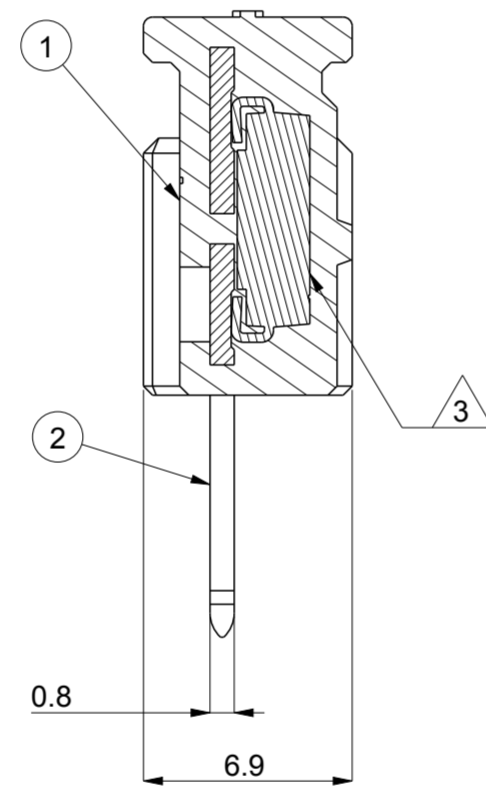
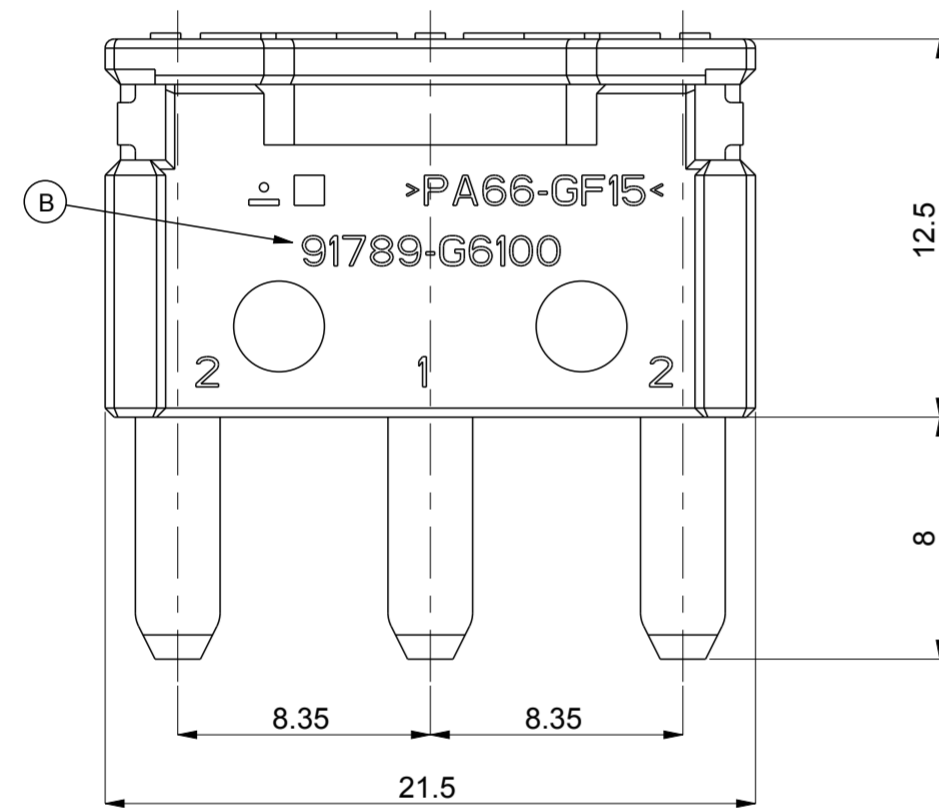
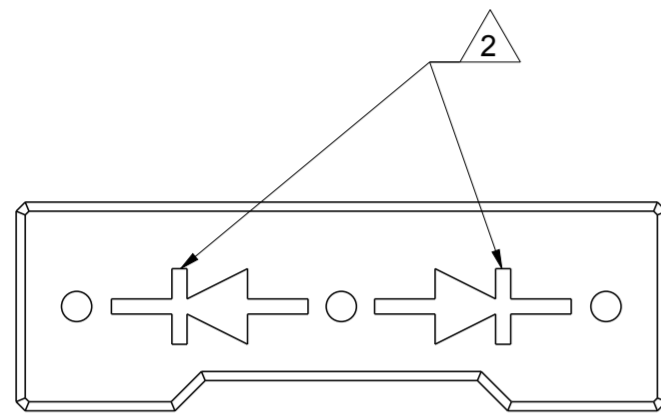
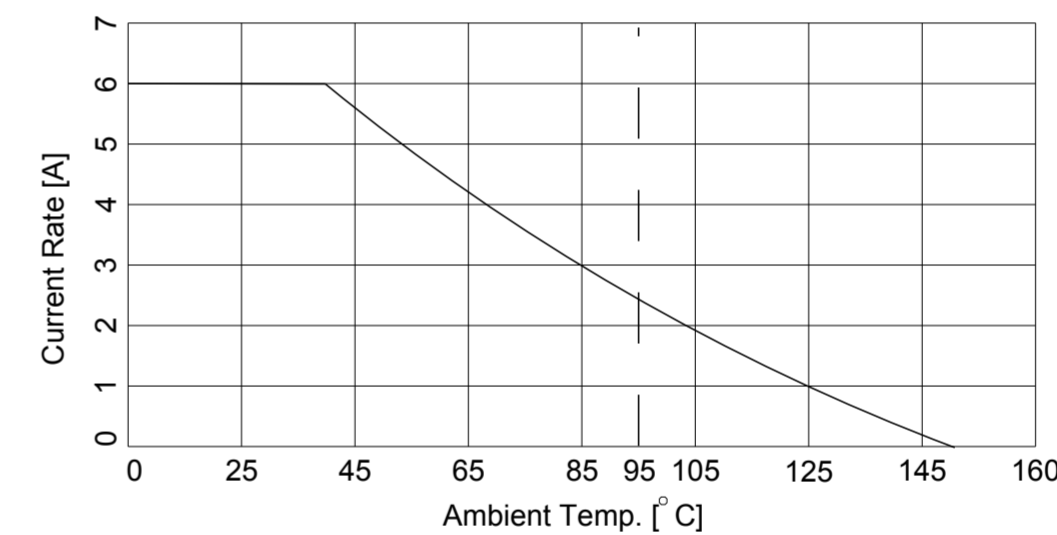
SCALE 2:1

NOTES.

- 1. GENERAL TOLERANCE: $\pm 0.3, \pm 3^\circ$
- 2. DIODE DIRECTION
- 3. EACH DIODE CHIP PRIMARY CHARACTERISTICS (at 25°C unless otherwise noted)
 - Rating Current at 25°C : 5A

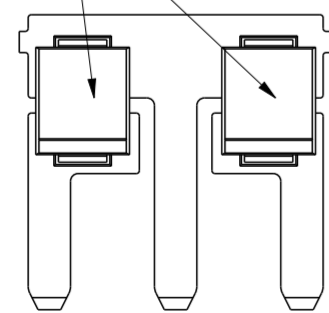
PARAMETER	SYMBOL	VALUE
Maximum average forward rectified current	$I_{F(AV)}$	5.0 A
Maximum recurrent peak reverse voltage	V_{RRM}	1000 V
Maximum DC blocking voltage	V_{DC}	1000 V
Peak forward surge current 8.3ms single half sine-wave superimposed on rated load	I_{FSM}	100 A
Operating junction and storage temperature range	T_J, T_{STG}	-55°C ~ 150°C

4. MAXIMUM FORWARD CURRENT OF 3PIN DIODE ASS'Y AS A FUNCTION OF AMBIENT TEMPERATURE WITH CONNECTOR AND 0.5SQ, 300m. (2 DIODE CHIPS CONNECTED IN PARALLEL CIRCUIT)



SECTION A-A

CHIP DIODE



CHIP DIODE TERMINAL SCALE 2:1

NO	FINISH/COLOR	MATERIAL	DESCRIPTION	Q'TY
4	POST-TIN	C1100 H04	TERMINAL FOF SHORT-BAR	1
3	DARK-GRAY	PA66-GF15	SHORT-BAR	1
2	-	3	CHIP DIODE ASSEMBLY(POST-TIN)	1
1	BLACK	PA66-GF15	3PIN DIODE ASSEMBLY	1

THIS DRAWING IS A CONTROLLED DOCUMENT

APVD: 17.MAY.2016
 CHK: SW NA
 YD LEE

TE Connectivity

NAME: 3PIN DIODE ASSEMBLY
 3PIN DIODE ASSEMBLY SHORT-BAR

SIZE: A2 CAGE CODE: 2299561 DRAWING NO: 2299561

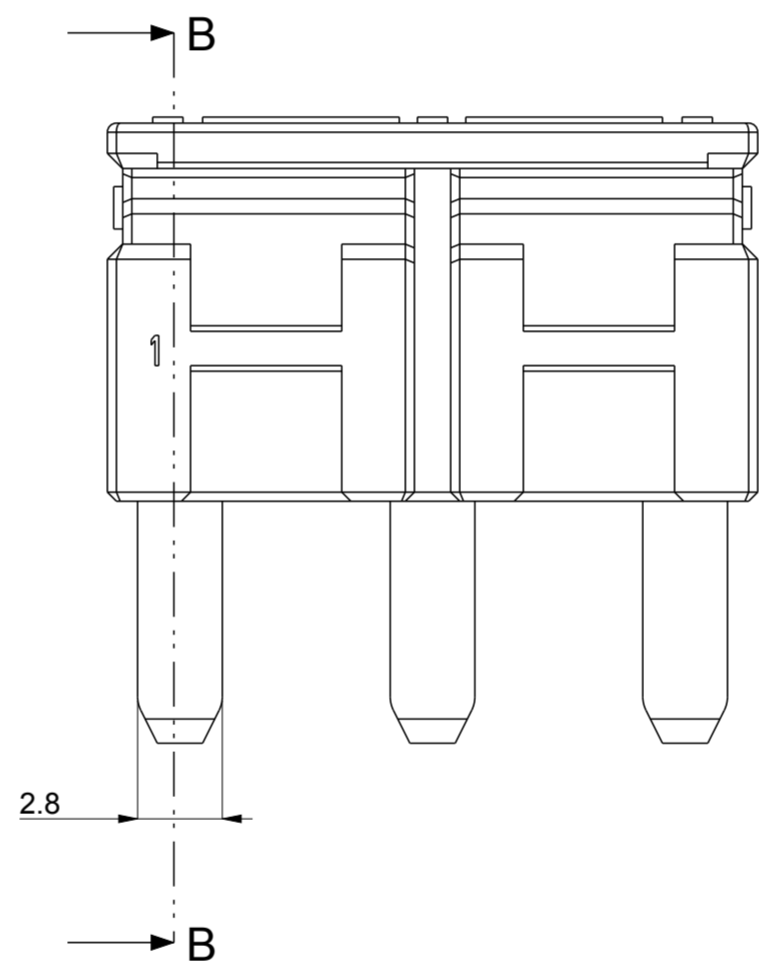
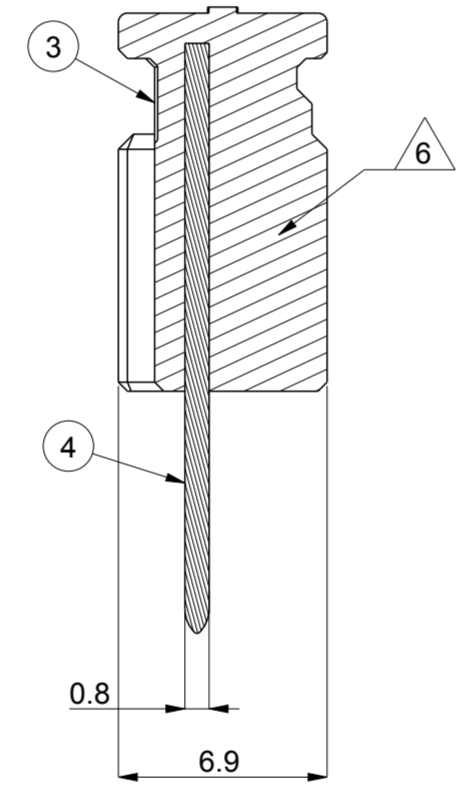
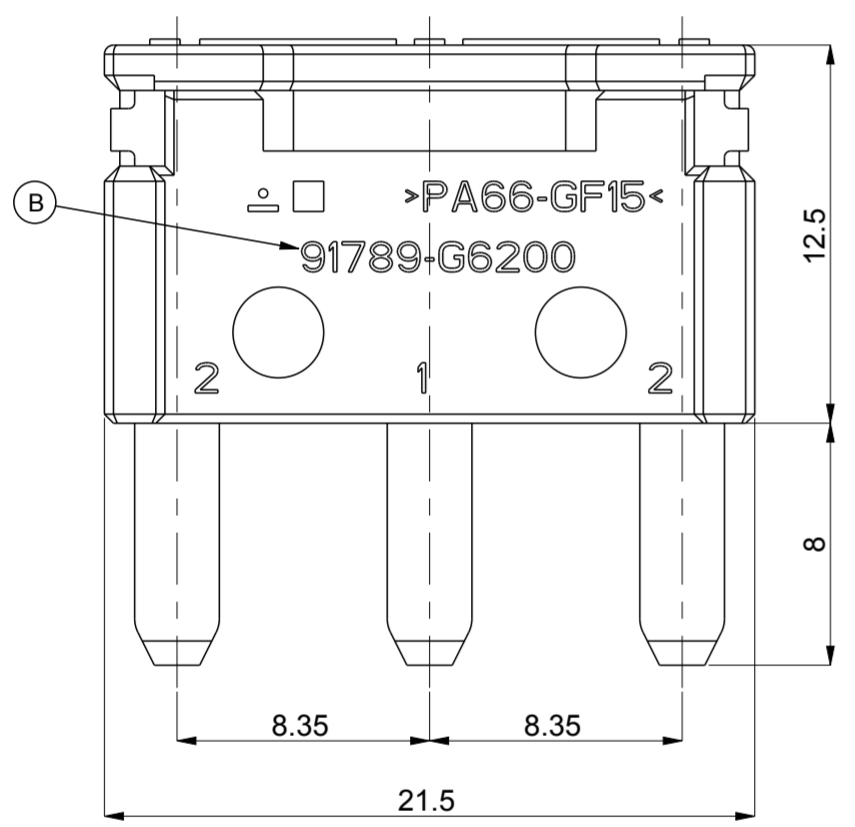
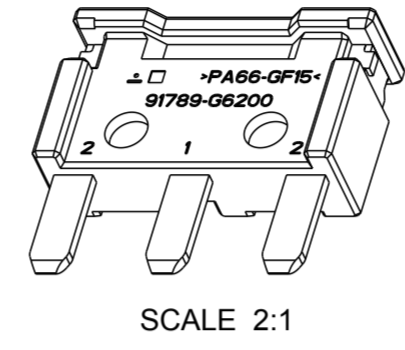
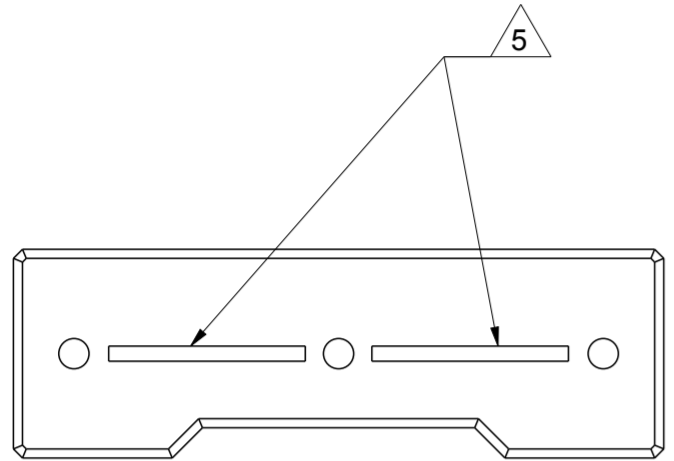
SCALE: 4:1 SHEET: 1 OF 2 REV: B

PART No.	PARK NAME	MATERIAL	COLOR(HSG)	MATERIAL(TML)	FINISH(TML)	CHIP DIODE	REMARK
2299561-2	3PIN DIODE ASSEMBLY	PA66-GF15	BLACK	Copper Alloy	Reflow-Tin	PARALLEL (2EA)	LEAD FREE

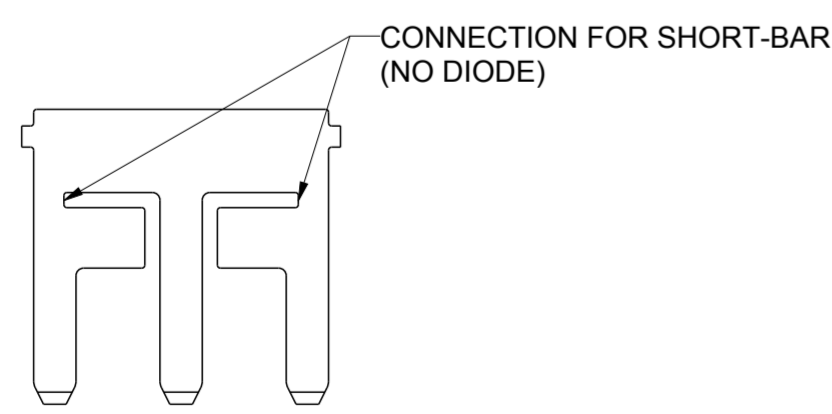
THIS DRAWING IS UNPUBLISHED. RELEASED FOR PUBLICATION
 © COPYRIGHT 2011 BY - ALL RIGHTS RESERVED.

REVISIONS					
P	LTR	DESCRIPTION	DATE	DWN	APVD
-	-	SEE SHEET 1	-	-	-

3PIN DIODE ASSY SHORT-BAR



SECTION B-B



6 TERMINAL FOR SHORT-BAR
SCALE 2:1

- NOTES.
- 5 MARKING FOR SHORT-BAR
 - 6 FOR SHROT-BAR
- NO DIODE
- APPLY TRMINAL FOR SHORT-BAR

PART No.	PARK NAME	MATERIAL	COLOR(HSG)	MATERIAL(TML)	FINISH(TML)	CHIP DIODE	REMARK
1-2299561-3	SHORT-BAR	PA66-GF15	DARK-GRAY	Copper Alloy	Post-Tin	NO DIODE	NO DIODES

THIS DRAWING IS A CONTROLLED DOCUMENT

DIMENSIONS: mm	TOLERANCES UNLESS OTHERWISE SPECIFIED: 0 PLC ± 1 PLC ±0.1 2 PLC ±0.01 3 PLC ±0.001 4 PLC ±0.0001 ANGLES ± FINISH	DWN: HC CHOE CHK: SW NA APVD: YD LEE PRODUCT SPEC APPLICATION SPEC WEIGHT	TE Connectivity NAME: 3PIN DIODE ASSEMBLY 3PIN DIODE ASSEMBLY SHORT-BAR SIZE: A2 CAGE CODE: - DRAWING NO: C-2299561 SCALE: 4:1 SHEET: 2 OF 2 REV: B
-------------------	---	--	---

MATERIAL: -