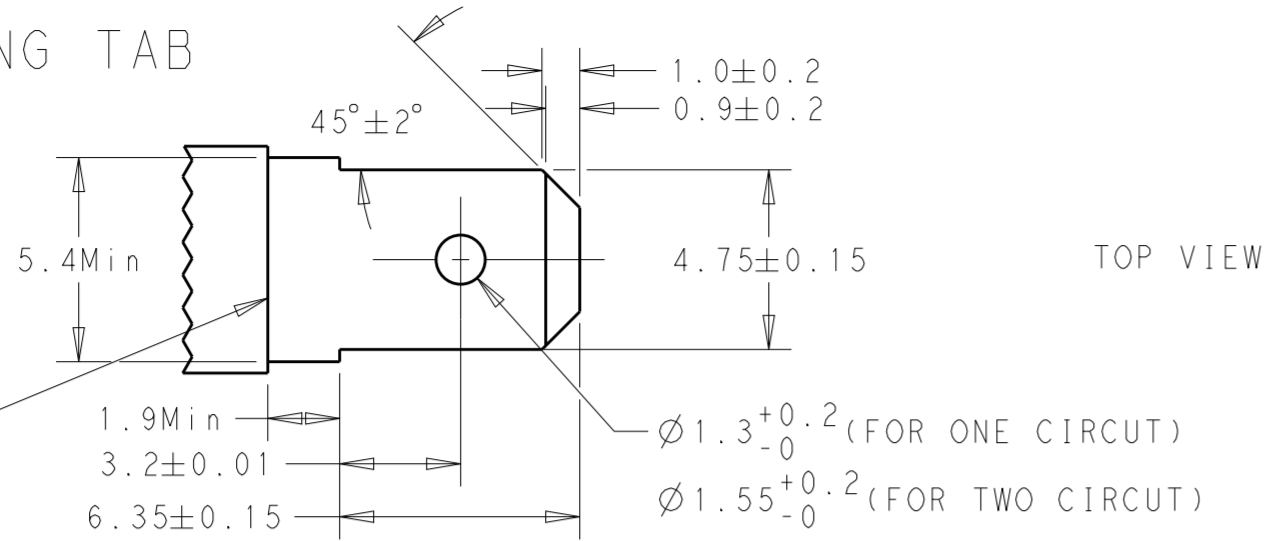


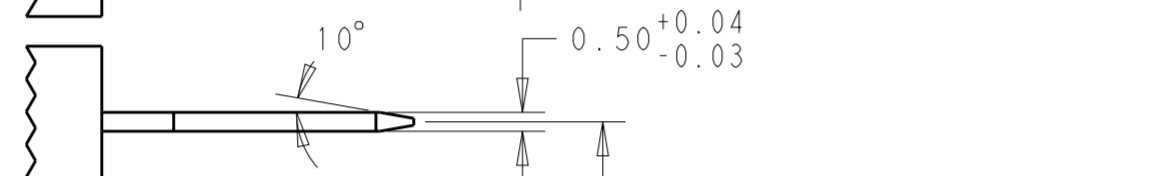
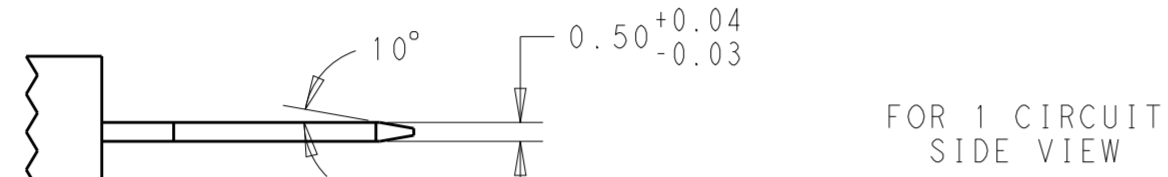
THIS DRAWING IS UNPUBLISHED. RELEASED FOR PUBLICATION 20
 © COPYRIGHT 20 BY - ALL RIGHTS RESERVED.

REVISIONS					
P	LTR	DESCRIPTION	DATE	DWN	APVD
A8		ECR-20-010317	22JUL20	DT	EW

SUGGESTED MATING TAB

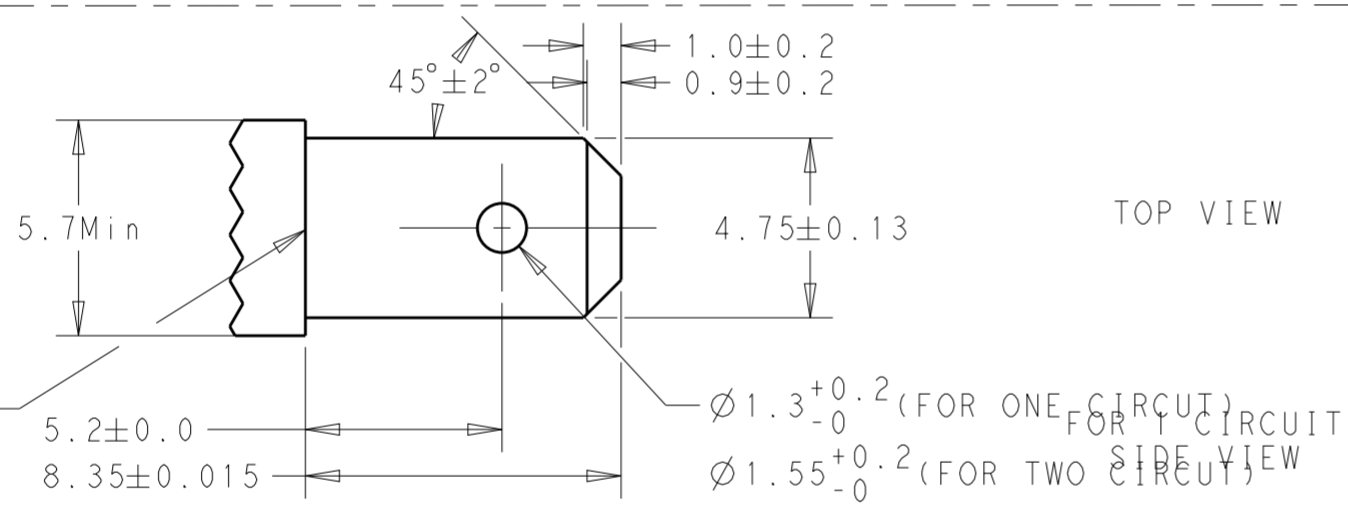


Necessary space for housing to be inserted up to this line

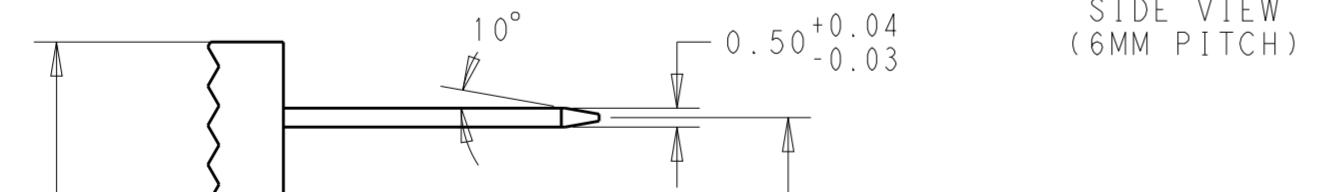
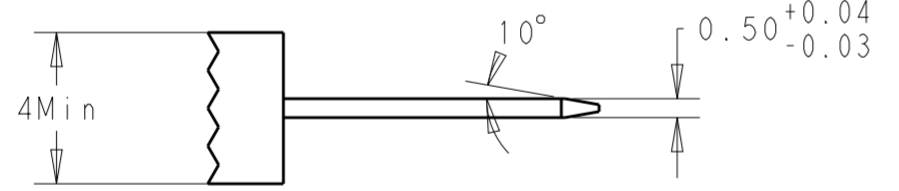


Shapping of the tab's hole must not exceed 0.08mm

TYPE A (When using tab shoulder for butting)



Butting surface of housing

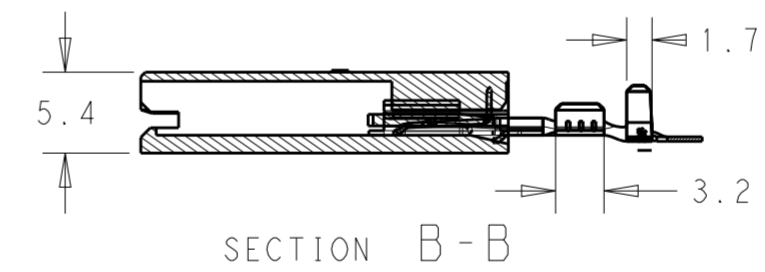
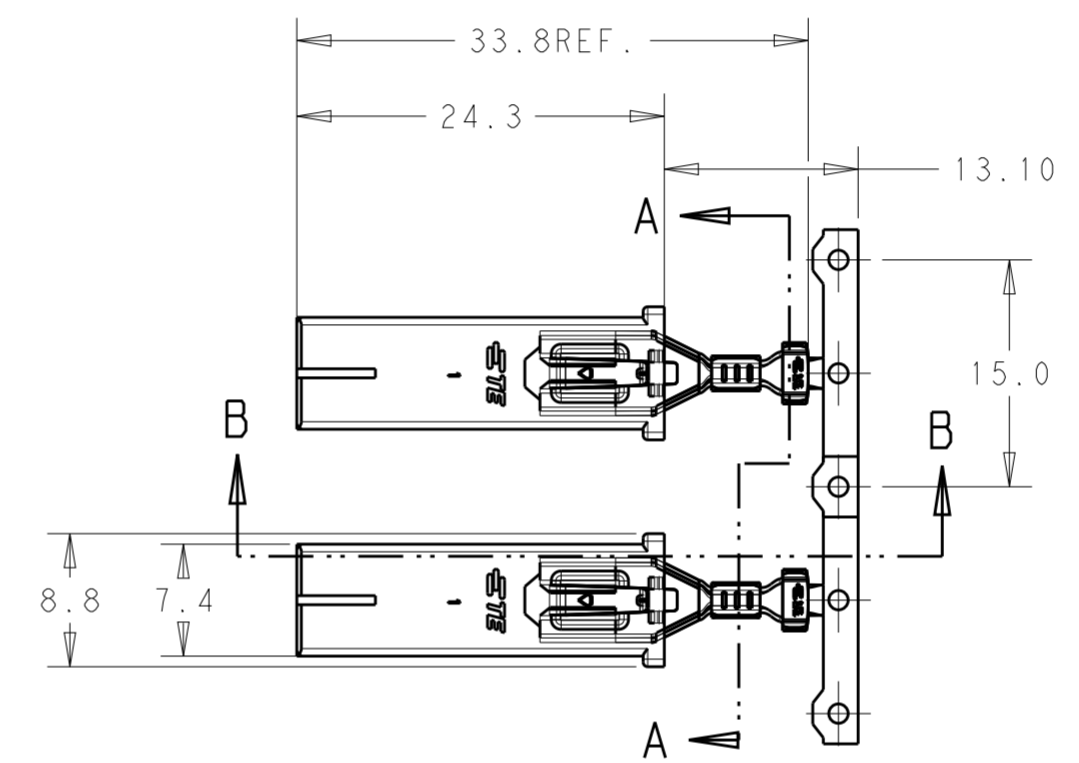


Shapping of the tab's hole must not exceed 0.08mm

TYPE B (When using resin, etc. for butting)

NOTE:

1. HOUSING MATERIAL, NYLON 6/66, GLASS-FIBRE. UL94V-0.
 2. GWT 750°C VERSION ACCORDING TO ICE 60335-1.
 3. CONTACT MATERIAL, TIN PLATED BRASS.
- △ NEW PART NUMBER WITH DIFFERENT PACKAGING QTY. AND SMALLER REELING SIZE (24in).



4.5 REF.	4.6	3.2 REF.	3.0	2.29-3.30	20-16	3-2299286-2
3.4 REF.	4.1	2.1 REF.	2.3	1.52-2.79	24-20	3-2299286-1
4.5 REF.	4.6	3.2 REF.	3.0	2.29-3.30	20-16	2299286-2
3.4 REF.	4.1	2.1 REF.	2.3	1.52-2.79	24-20	2299286-1
DIM D	DIM C	DIM B	DIM A	INSULATION (MM)	WIRE SIZE (AWG)	P/N

THIS DRAWING IS A CONTROLLED DOCUMENT.

DIMENSIONS: mm	TOLERANCES UNLESS OTHERWISE SPECIFIED:	DWN LEI PAN 08FEB2017	STE TE Connectivity
	0 PLC ±	CHK TIM DING 08FEB2017	
	1 PLC ±0.3	APVD TIM DING 08FEB2017	
	2 PLC ±0.25	PRODUCT SPEC 108-106262	
	3 PLC ±	APPLICATION SPEC 114-106262	
MATERIAL	FINISH	WEIGHT	RESTRICTED TO
-	-	-	A2
CUSTOMER DRAWING			SCALE 2:1 SHEET 1 OF 1 REV A8