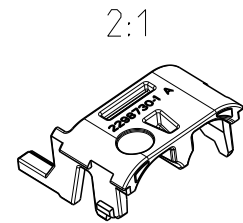
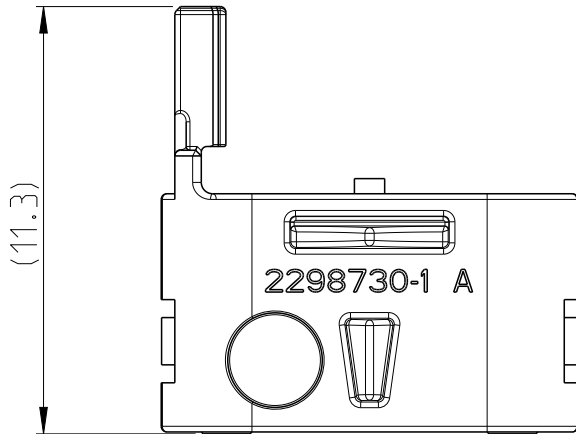
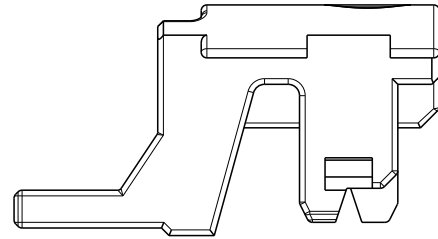
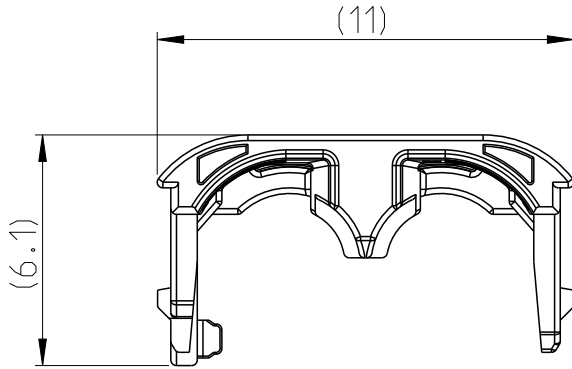


REVISIONS				
P	LTR	DESCRIPTION	DATE	APVD
	A	Initial release	05DEC2019	GB CS



© 2019 TE Connectivity. All Rights Reserved.

1 USED ON TE-PN X-2298724-X and 2325359-X
 Passend zu TE-PN X-2298724-X und 2325359-X

2 PACKAGING: LOOSE PIECE IN CLOSED PLASTIC BAG IN CARDBOARD BOX
 Verpackung: Schuettgut in geschlossener Plastiktueete in Karton

DIMENSIONS: mm	DWN G. van de Burgt	03DEC2019	MATERIAL	PA66-GF30	FINISH	-	
	CHK S. Aboulkassem	04DEC2019					
TOLERANCES UNLESS OTHERWISE SPECIFIED:	APVD C. Schrettlinger	05DEC2019					
	0 PLC ±0.2 1 PLC ±0.2 2 PLC ±0.2 3 PLC ± 4 PLC ± ANGLES ±°	PRODUCT SPEC -	NAME MATE-AX,TPA,PIN MATE-AX,Kontaktsicherung,Stift	SIZE	CAGE CODE	DRAWING NO	RESTRICTED TO
	APPLICATION SPEC 114-94468		A 4	00779	©=2298730		
	WEIGHT 0.14 g		CUSTOMER DRAWING		SCALE	SHEET	REV
					5:1	1 OF 1	A