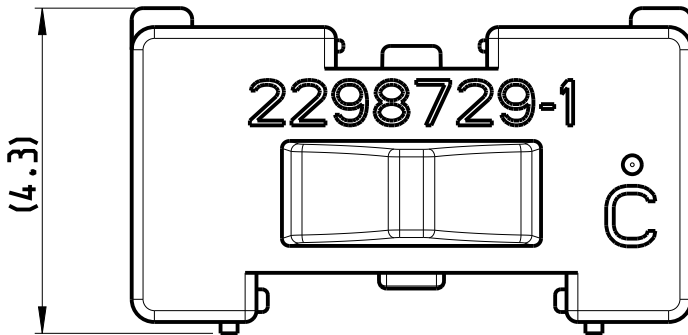
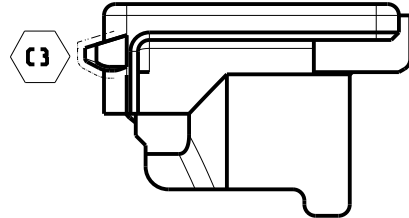
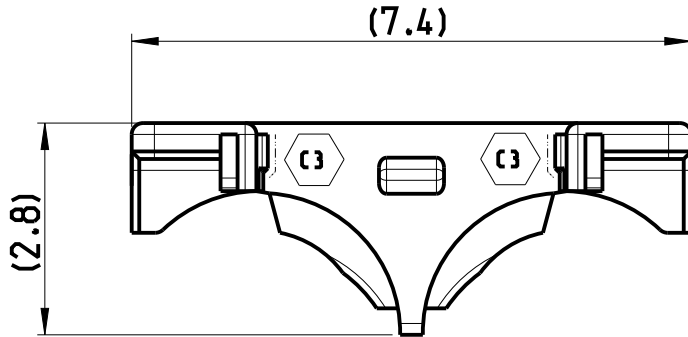


REVISIONS					
P	LTR	DESCRIPTION	DATE	DWN	APVD
	C3	Locking feature modified	01MAR2021	GB	CS



1 USED ON TE-PN 2298721-X and 2310886-X
 Passend zu TE-PN 2298721-X und 2310886-X

2 PACKAGING: LOOSE PIECE IN CLOSED PLASTIC BAG IN CARDBOARD BOX
 Verpackung: Schuettgut in geschlossener Plastiktueete in Karton

© 2019 TE Connectivity. All Rights Reserved.

2:1



DIMENSIONS: mm	DWN G. van de Burgt	02DEC 2019	MATERIAL	PA66-GF30	FINISH	-
	CHK S. Aboukassen	03DEC 2019	TE TE Connectivity			
TOLERANCES UNLESS OTHERWISE SPECIFIED:	APVD C. Schrellinger	04DEC 2019				
0 PLC ±0.2	PRODUCT SPEC		NAME MATE-AX.TPA.SOCKET			
1 PLC ±0.2	APPLICATION SPEC		MATE-AX.Kontaktsicherung.Buchse			
2 PLC ±0.2			SIZE	CAGE CODE	DRAWING NO	RESTRICTED TO
3 PLC ±	114-94468		A 4	00779	C-2298729	
4 PLC ±	WEIGHT		CUSTOMER DRAWING			
ANGLES ±2°	0.03 g		SCALE	10:1	SHEET	1 OF 1
			REV C3			