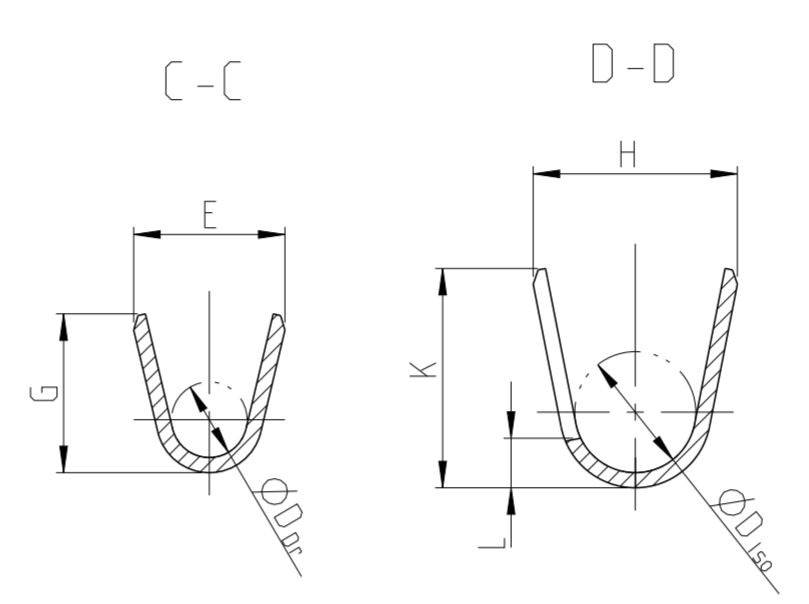
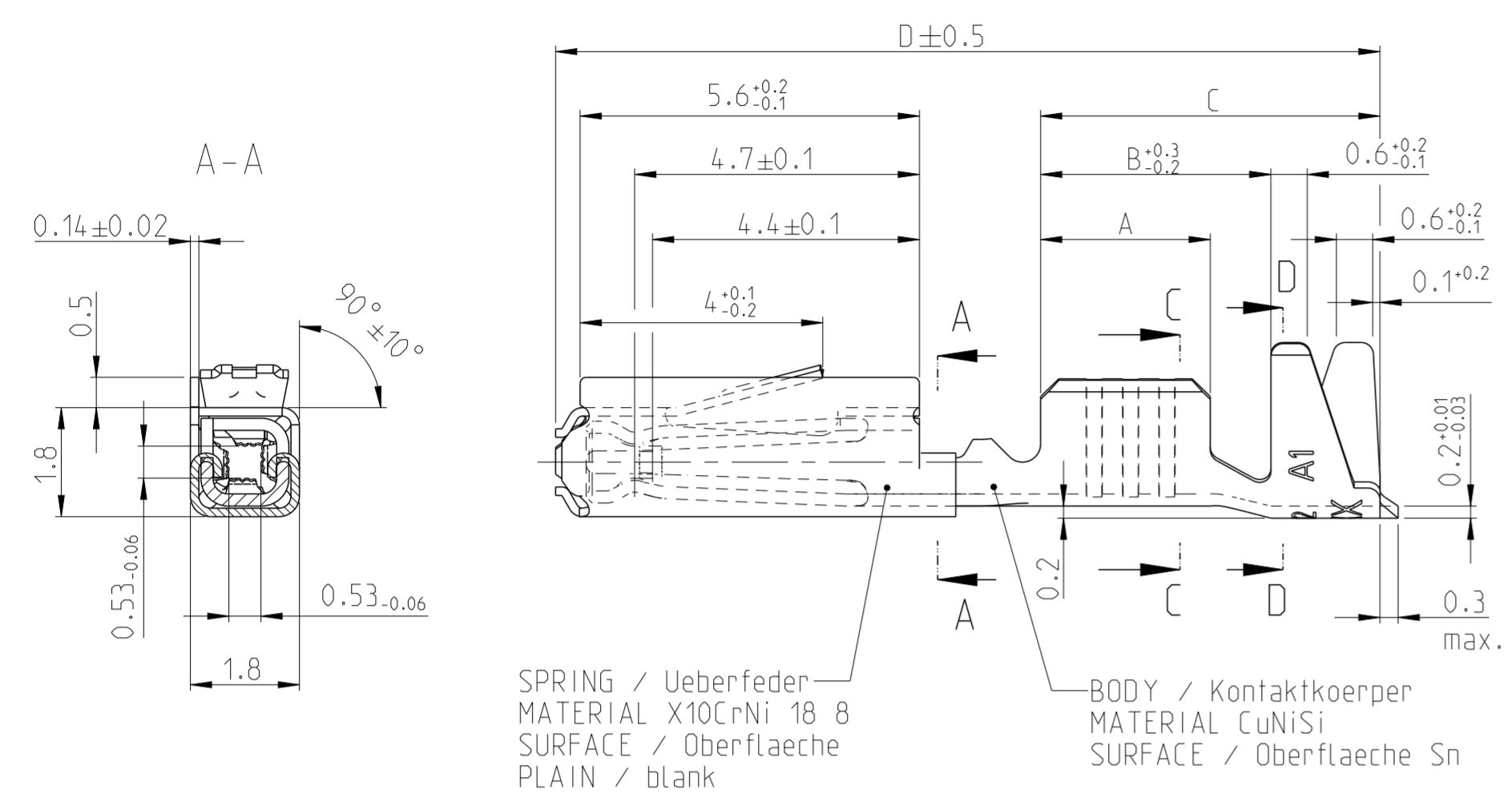


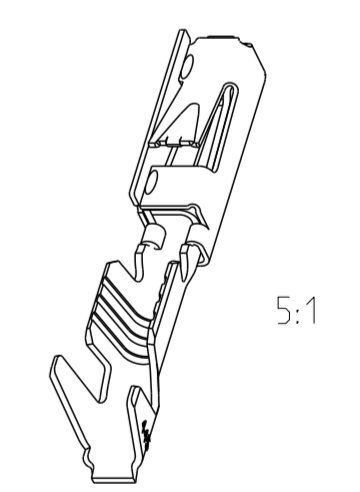
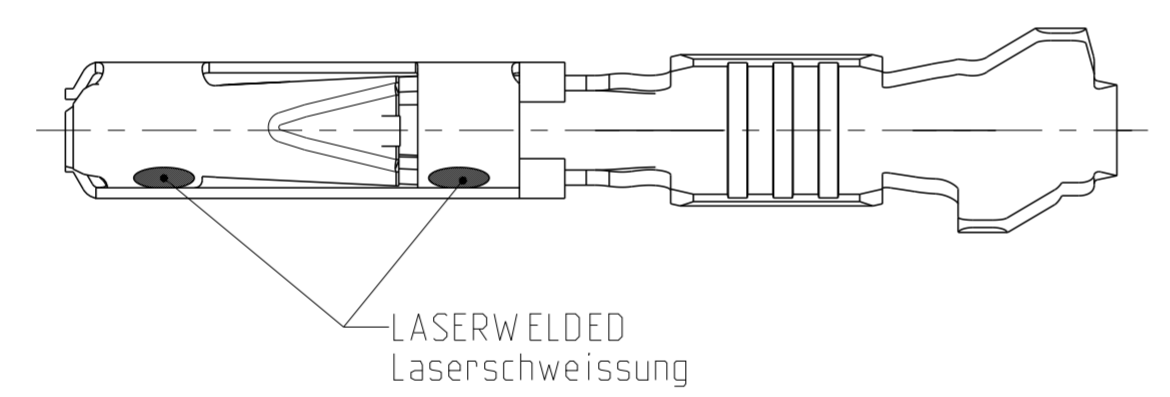
THIS DRAWING IS UNPUBLISHED. RELEASED FOR PUBLICATION 2015  
 © COPYRIGHT 2015 BY - ALL RIGHTS RESERVED.

REVISIONS					
P	LTR	DESCRIPTION	DATE	DWN	APVD
A		NEW DRAWING	25NOV2015	Abr	Brun
A1		Drawing adapted to as-is status	21FEB2017	HO.	BRUN



NOTES  
Bemerkungen

- DATE CODE (WEEK/YEAR E.G. WEEK NUMBER 44/YEAR2015) AND TE REVISION (E.G. REV. A)  
Datumscode (Woche/Jahr z.B. KW 44/Jahr2015) und TE-Revision (z.B. Rev. A)
- SUITABLE FOR PIN CONTACT SEE DRAWING 929453  
Passend zu Stiftkontakt siehe Zeichnung 929423
- DETAILS OF DESIGN ARE LEFT TO MANUFACTURER  
Einzelheiten der Ausfuehrung bleiben dem Hersteller ueberlassen
- FOR FLR-CONDUCTOR ACCORDING TO DIN 72551-6 ONLY  
Nur fuer FLR-Leitung nach DIN 72551 Teil 6



2298349-1	A	0.5-0.75 mm <sup>2</sup>	Sn	A = 2.8 B = 3.8 C = 5.6 D = 13.6	E = 2.0 G = 2.1 D <sub>Dr</sub> = 1.0	H = 2.7 K = 2.9 L = 1.0 D <sub>Iso</sub> = 1.6	0.11 g
2298132-1	A	0.2-0.35 mm <sup>2</sup>	Sn	A = 2.5 B = 3.6 C = 5.6 D = 13.6	E = 1.8 G = 1.8 D <sub>Dr</sub> = 0.8	H = 2.3 K = 2.3 L = 0.6 D <sub>Iso</sub> = 1.4	0.11 g
ORDER NO. Bestell-Nr.	REV.	WIRE SIZE DGB	SURFACE Oberflaeche	LENGTH Laenge	WIRE CRIMP Drahtcrimp	INSU- CRIMP Iso-Crimp	WEIGHT Gewicht

DIMENSIONS:		TOLERANCES UNLESS OTHERWISE SPECIFIED:		DWN		NAME	
mm		±		G.Abraham 25NOV2015		STE TE Connectivity	
		0-PLC ± 1-PLC ± 2-PLC ± ±0.2 3-PLC ± 4-PLC ± ANGLES ±° FINISH -		CHK M. Brunner 26NOV2015 APVD -		PRODUCT SPEC 108-18030 APPLICATION SPEC 114-18021 WEIGHT -	
MATERIAL -		-		CUSTOMER DRAWING		RESTRICTED TO -	
-		-		SCALE 10:1		SHEET 1 OF 1	
-		-		REV A1		-	