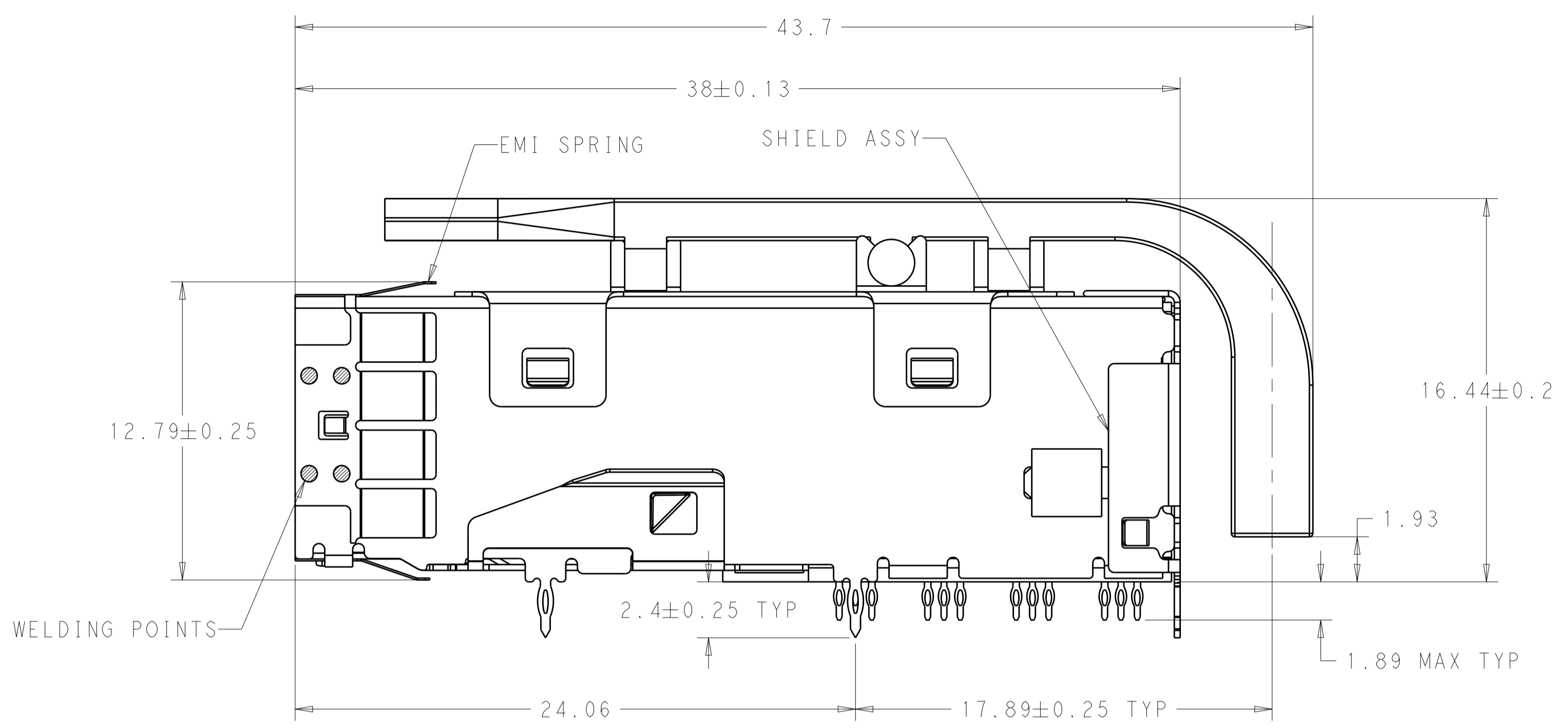
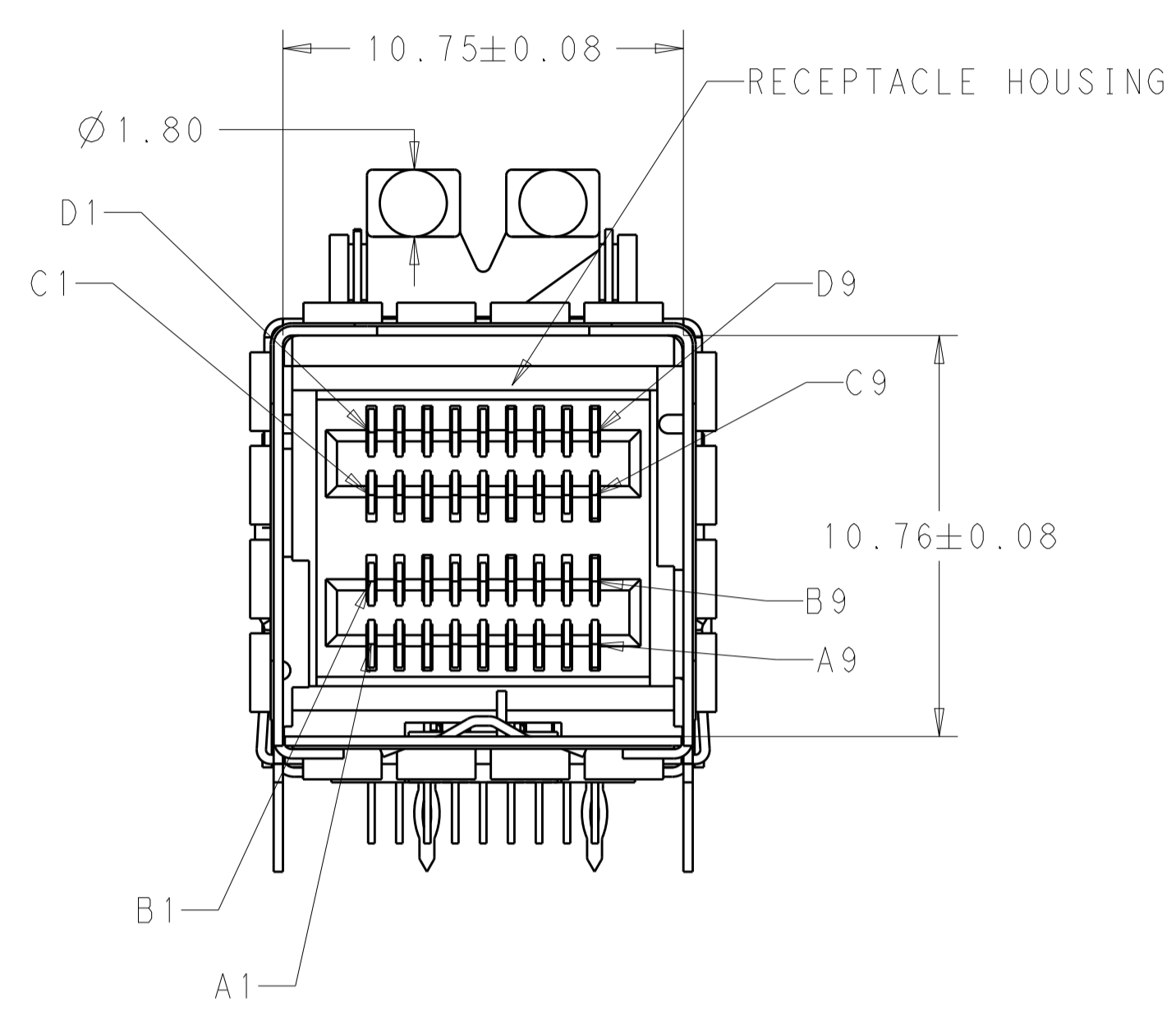
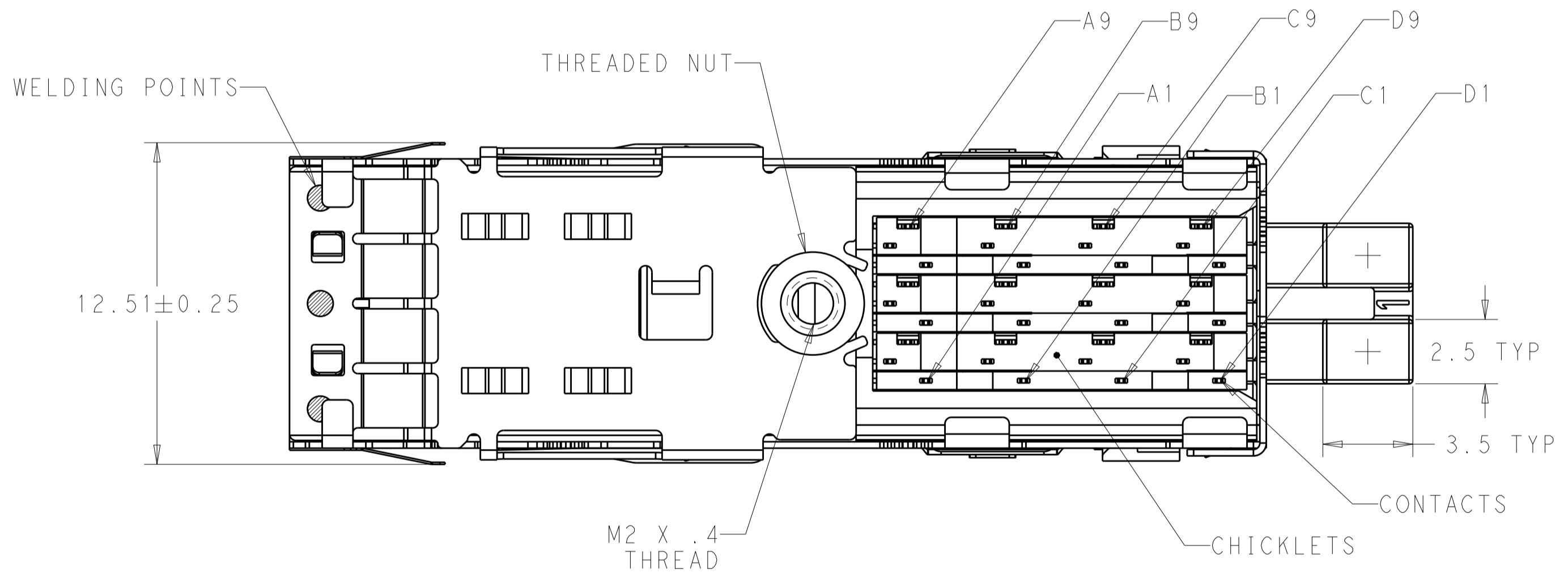


LOC		DIST		REVISIONS			
P	LTN	DESCRIPTION	DATE	DMN	APVD		
A		INITIAL RELEASE	24NOV2015	JY	SH		
B		REVISED PER ECO-16-005826	15APR2016	JY	SH		
C		REVISED PER ECO-16-014136	07AUG2016	JY	SH		



- MATERIALS**
 RECEPTACLE HOUSING: LCP, BLACK, UL94V-0 RATED
 SHIELD ASSY: NICKEL-SILVER COPPER ALLOY
 CONTACTS: COPPER ALLOY
 EMI SPRING: COPPER ALLOY
 THREADED NUT: BRASS
 CHICKLETS: LCP, BLACK, UL 94V-0 RATED
 LIGHTPIPE CLIP: STAINLESS STEEL
 LIGHTPIPE: POLYCARBONATE
- FINISH**
 EMI SPRING: NICKEL PLATE
 NON-PLATED EDGES PERMISSABLE
 THREADED NUT: NICKEL PLATE
- CONTACT FINISH:** CONFORMS TO THE REQUIREMENTS OF TE PRODUCT SPECIFICATION, 108-2399. BASED ON EIA/ECA-364-1000.01A. (CONTROLLED ENVIRONMENT APPLICATIONS) ON MATING END. TIN PLATED ON PCB TAIL
- THREAD LENGTH OF FASTENER = PCB THICKNESS+1.45 MAX**
- RECOMMENDED TRACE KEEP OUT ZONE**
- WELDING POINTS ARE IN APPROXIMATE LOCATION.**



2298127-1 AS SHOWN

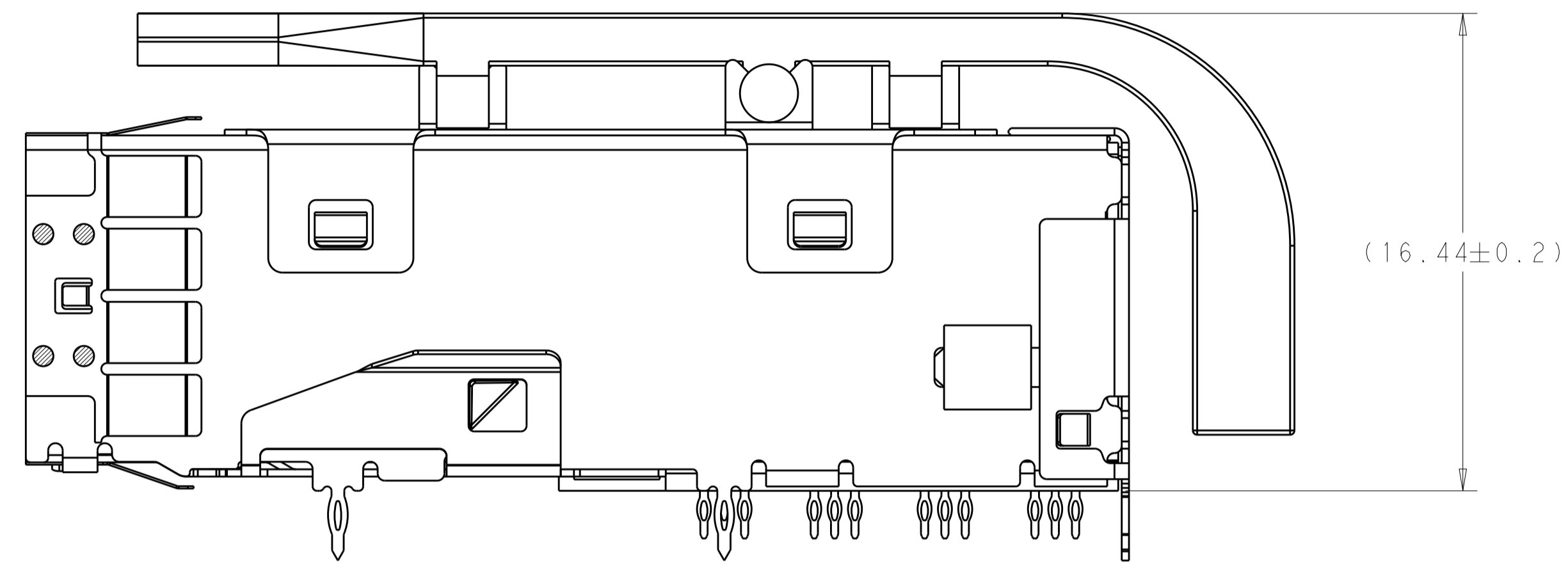
LOWER HEIGHT	14.53	2298127-2
STANDARD HEIGHT	15.54	2298127-1
LIGHT PIPE	H HOLE HIGHT OF LP	PART NUMBER

THIS DRAWING IS A CONTROLLED DOCUMENT. DWN: JASON YANG 24NOV2015
 CHK: SEAN HAN 24NOV2015

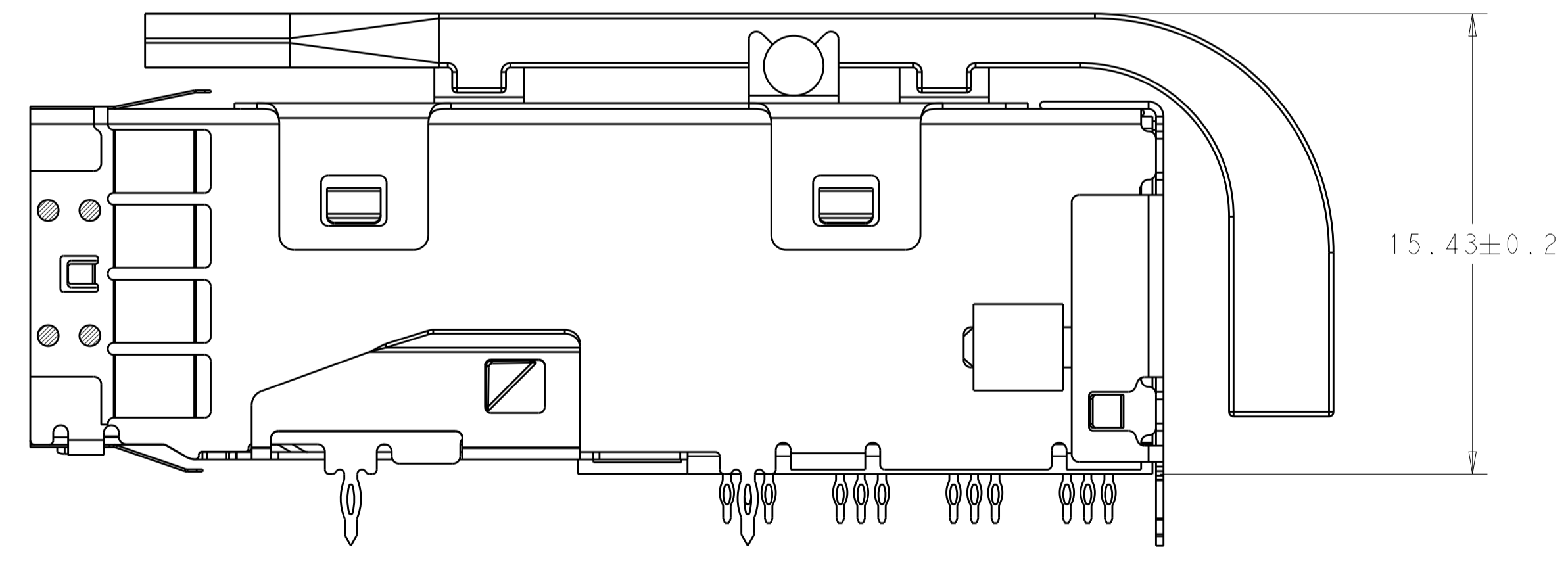
DIMENSIONS:	TOLERANCES UNLESS OTHERWISE SPECIFIED:	PRODUCT SPEC	NAME
mm	0 PLC ± 2 PLC ±0.25 3 PLC ±0.13 4 PLC ± ANGLES ±	108-2462	RECEPTACLE ASSEMBLY, MINI-SAS HD, 1X W/ LIGHT PIPES
MATERIAL:	FINISH:	APPLICATION SPEC	SIZE CAGE CODE DRAWING NO
		114-13316	A100779C=2298127
		WEIGHT:	RESTRICTED TO
		CUSTOMER DRAWING	SCALE 6:1 SHEET 1 OF 4 REV C

TE Connectivity

LOC		DIST		REVISIONS			
P.	LTN	DESCRIPTION	DATE	DMN	APVD		
-	-	SEE SHEET 1	-	-	-		



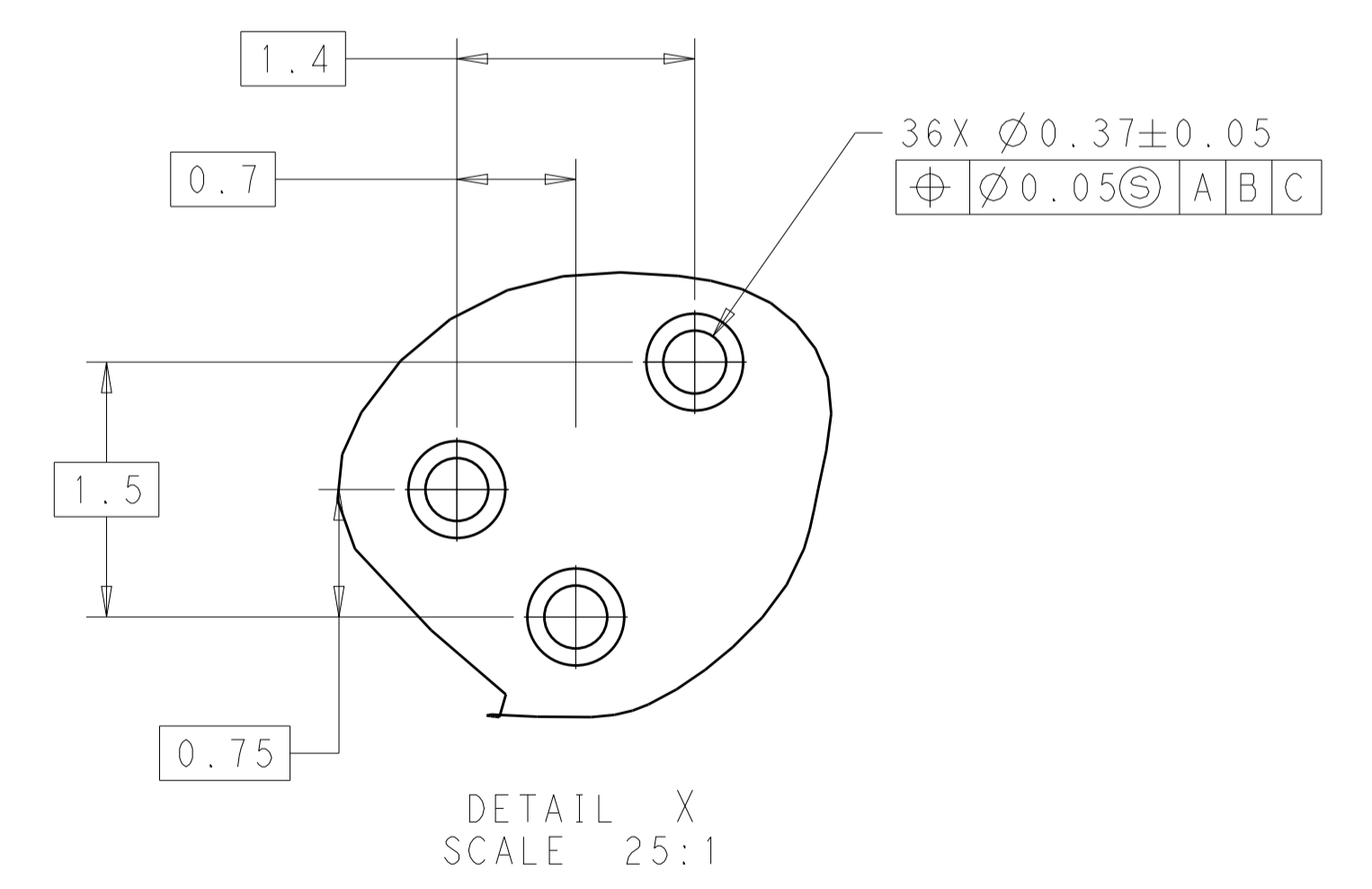
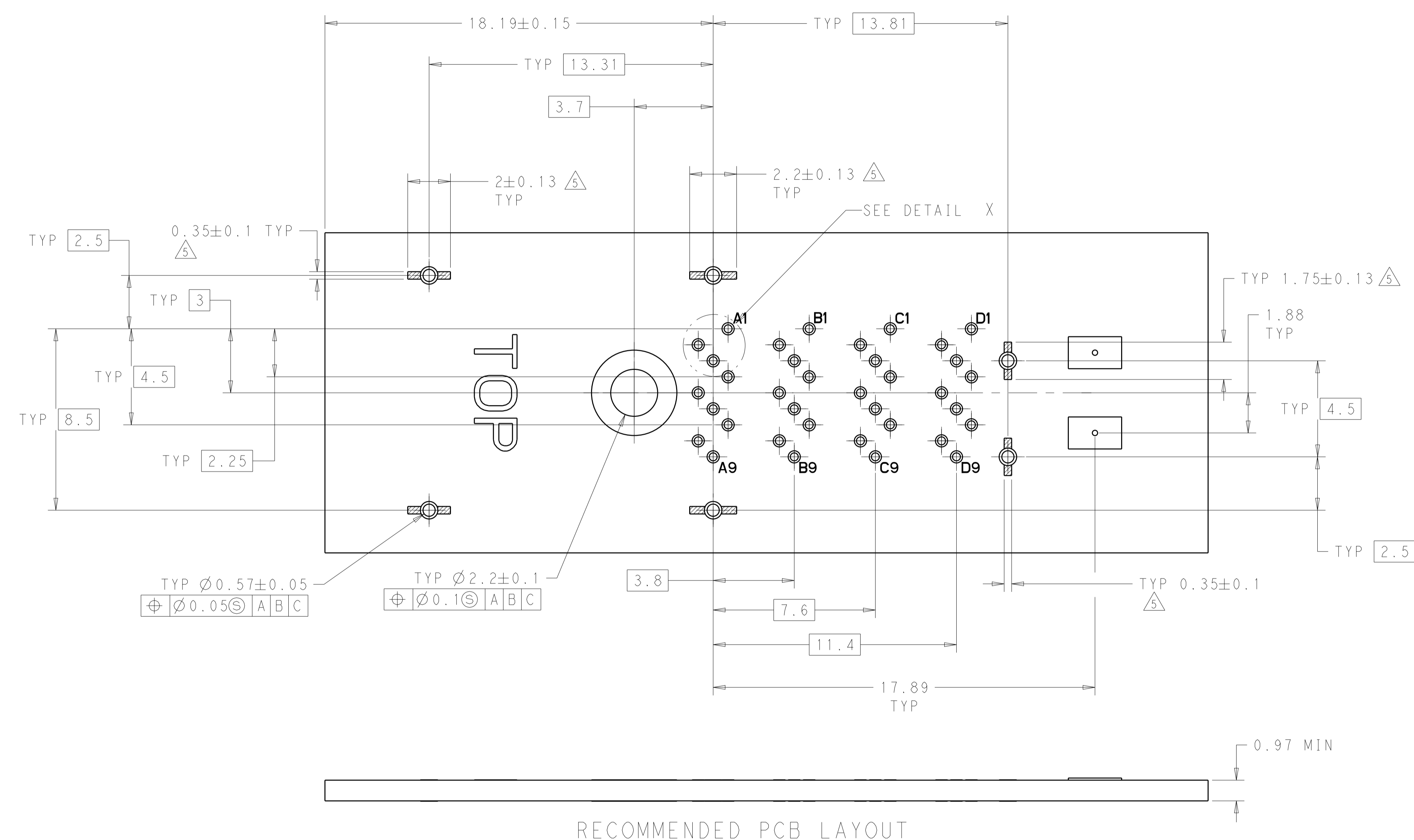
2298127-1 AS SHOWN
 SCALE 6:1



2298127-2 AS SHOWN
 UNSPECIFIED DIMENSIONS ARE SAME AS 2298127-1
 SCALE 6:1

THIS DRAWING IS A CONTROLLED DOCUMENT.		DMN JASON YANG 24NOV2015	TE Connectivity
		CHK SEAN HAN 24NOV2015	
DIMENSIONS:		NAME RECEPTACLE ASSEMBLY, MINI-SAS HD, 1X W/ LIGHT PIPES	
mm	TOLERANCES UNLESS OTHERWISE SPECIFIED:	PRODUCT SPEC 108-2462	RESTRICTED TO
	0 PLC ±	APPLICATION SPEC 114-13316	SIZE A100779
	1 PLC ±0.25	WEIGHT	C=2298127
	2 PLC ±0.13	CUSTOMER DRAWING	SCALE 6:1 SHEET 2 OF 4 REV C
	3 PLC ±		
	4 PLC ±		
	ANGLES ±		
	FINISH		

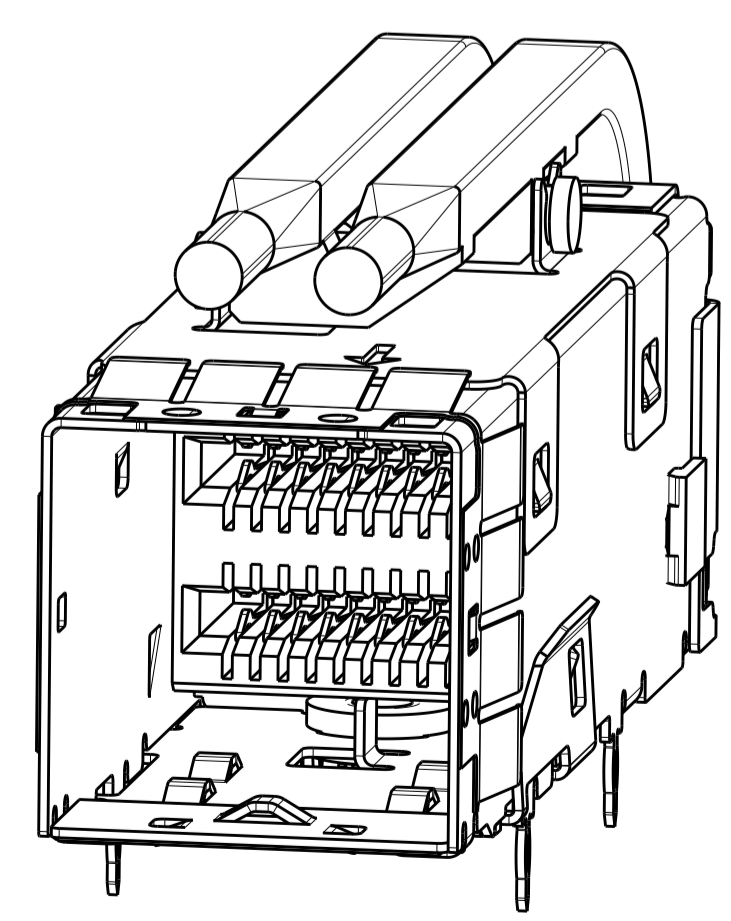
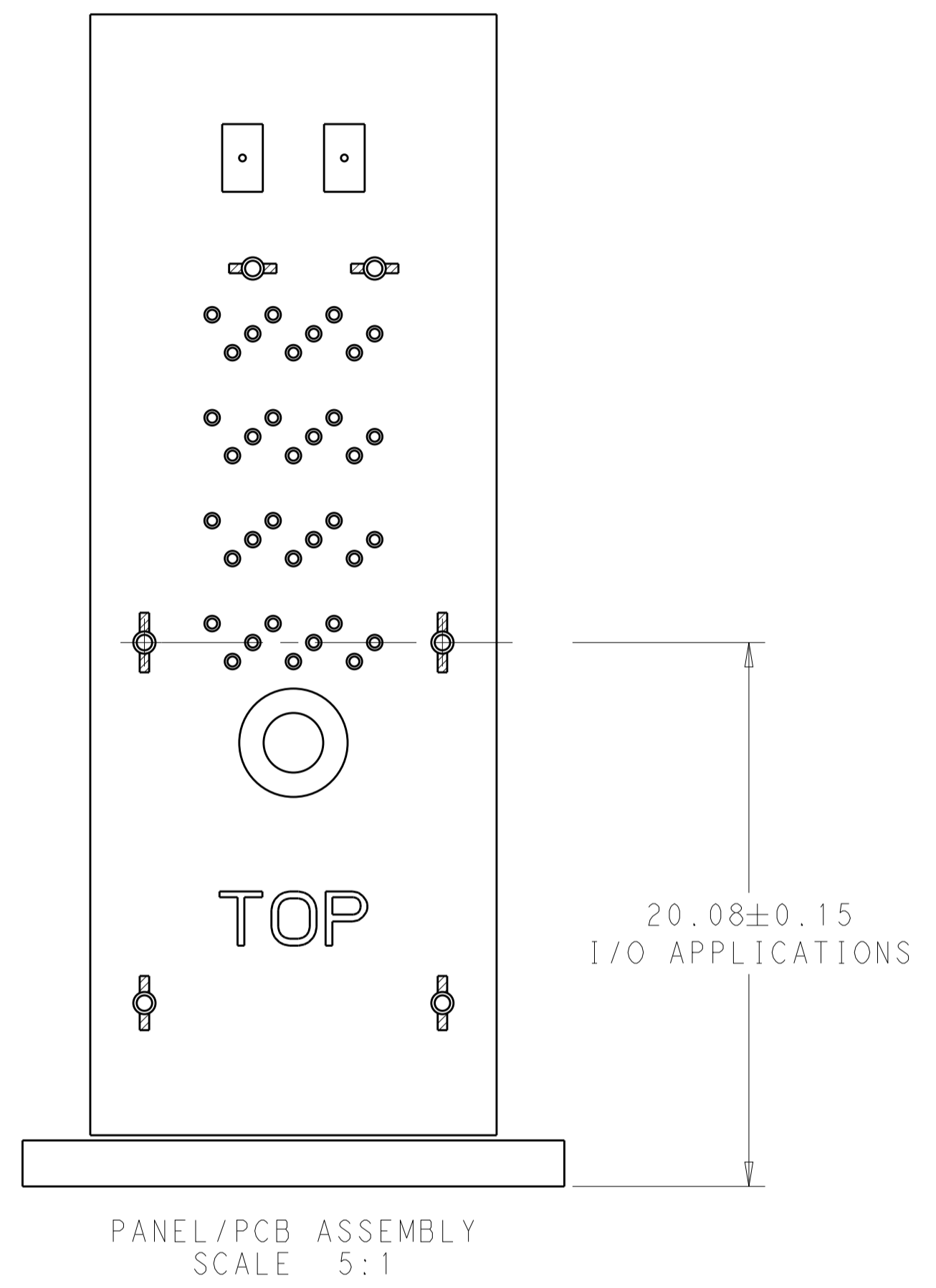
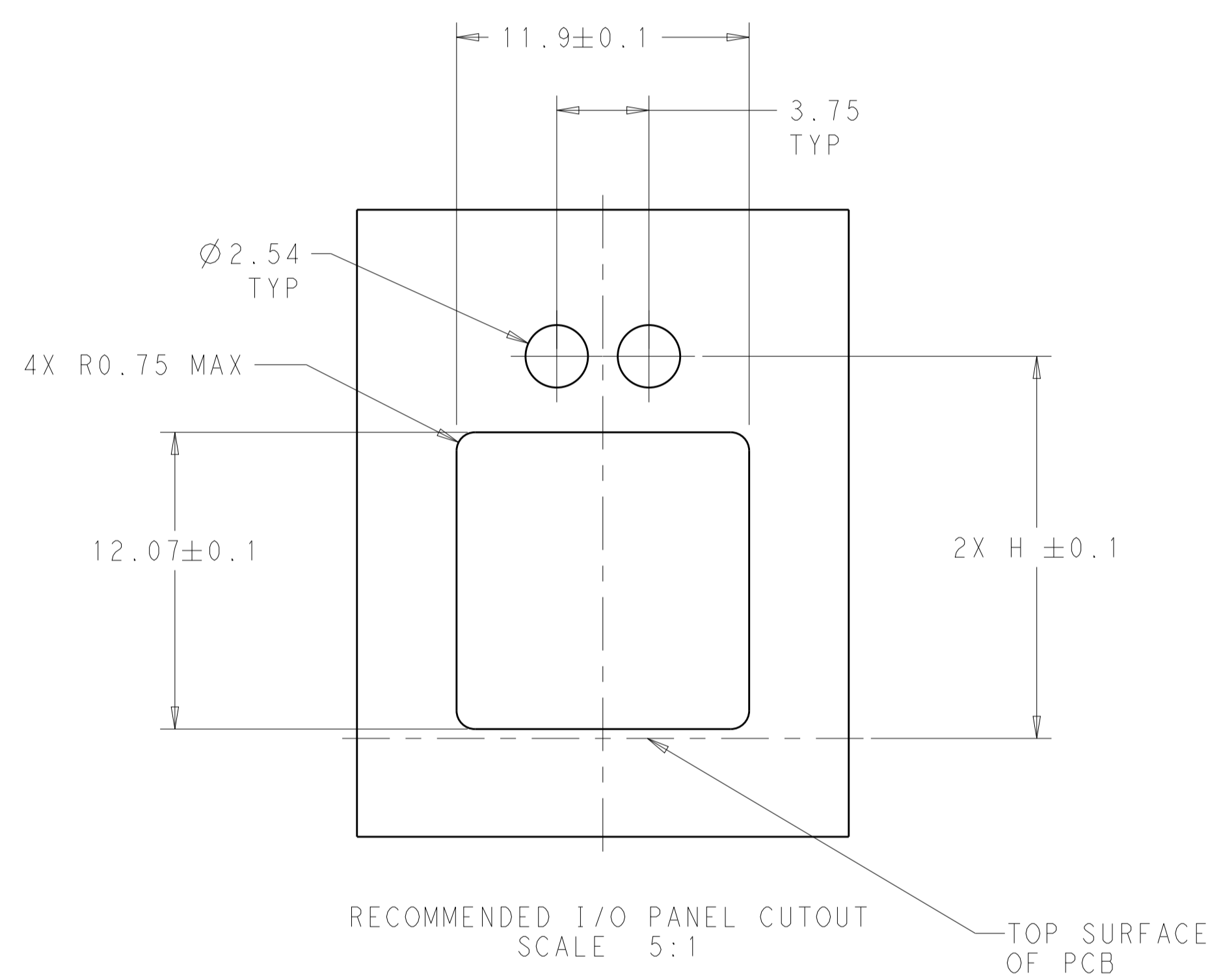
LOC		DIST		REVISIONS			
P.	LTN	DESCRIPTION	DATE	DWN	APVD		
-	-	SEE SHEET 1	-	-	-		



RECOMMENDED PCB LAYOUT

THIS DRAWING IS A CONTROLLED DOCUMENT.		DWN: JASON YANG 24NOV2015	 TE Connectivity
DIMENSIONS: mm		CHK: SEAN HAN 24NOV2015	
TOLERANCES UNLESS OTHERWISE SPECIFIED:		APVD: -	NAME: RECEPTACLE ASSEMBLY, MINI-SAS HD, 1X
0 PLC	±	PRODUCT SPEC	108-2462
1 PLC	±0.25	APPLICATION SPEC	114-13316
2 PLC	±0.13	SIZE	A100779
3 PLC	±	CAGE CODE	C=2298127
4 PLC	±	DRAWING NO	SCALE 6:1
ANGLES	±	WEIGHT	SHEET 3 OF 4
MATERIAL	-	CUSTOMER DRAWING	REV C

LOC		DIST		REVISIONS			
P	LTN	DESCRIPTION	DATE	DWN	APVD		
-	-	SEE SHEET 1	-	-	-		



THIS DRAWING IS A CONTROLLED DOCUMENT.		DWN: JASON YANG 24NOV2015	TE Connectivity	
		CHK: SEAN HAN 24NOV2015		
DIMENSIONS:		TOLERANCES UNLESS OTHERWISE SPECIFIED:		NAME: RECEPTACLE ASSEMBLY, MINI-SAS HD, 1X W/ LIGHT PIPES
mm	0 PLC ±	PRODUCT SPEC	RESTRICTED TO	
	1 PLC ±0.25	108-2462	A100779C=2298127	
	2 PLC ±0.13	APPLICATION SPEC	SCALE 6:1 SHEET 4 OF 4 REV C	
	3 PLC ±	114-13316		
	4 PLC ±	WEIGHT		
	ANGLES ±	CUSTOMER DRAWING		
MATERIAL	FINISH			