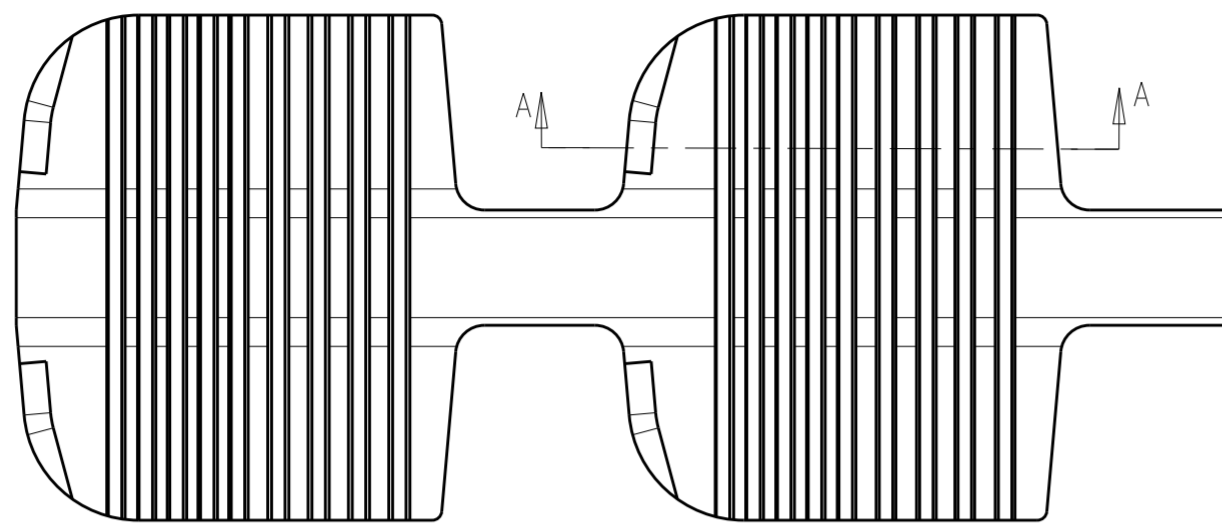


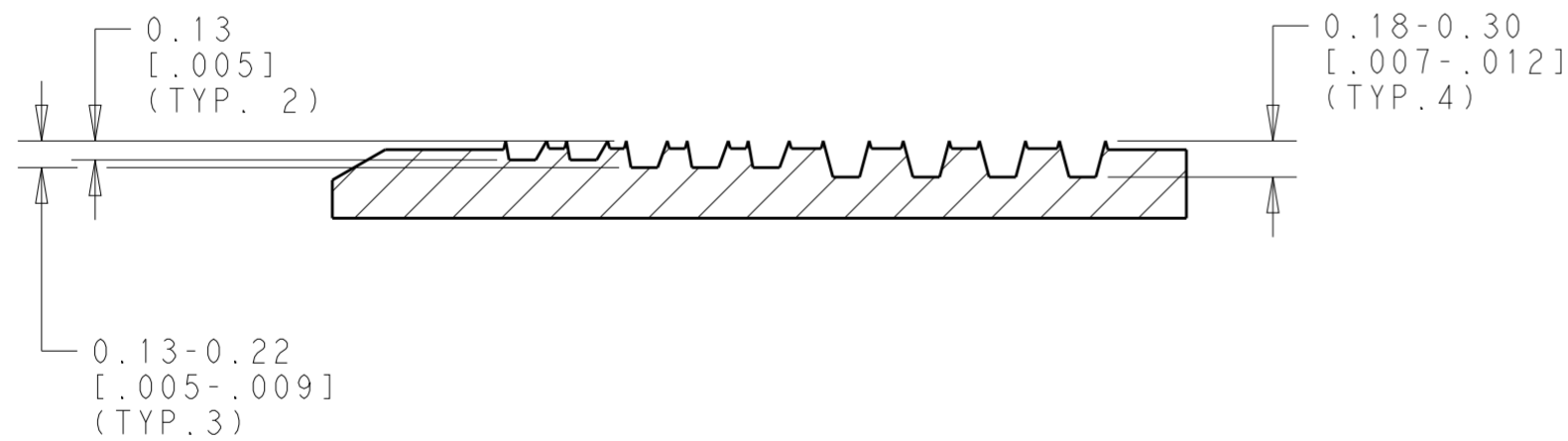
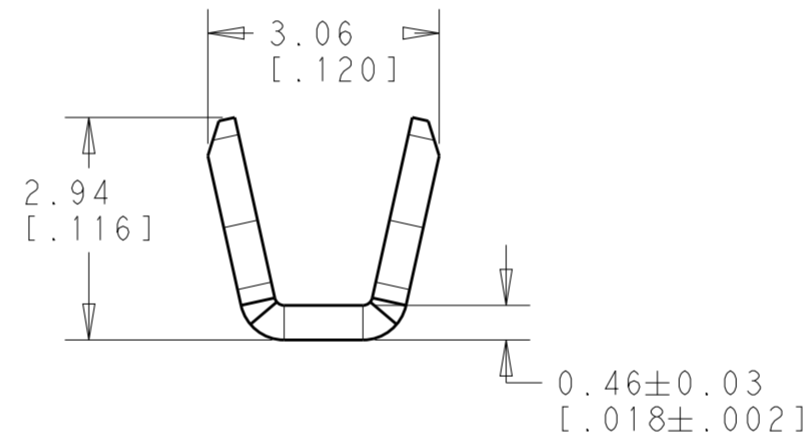
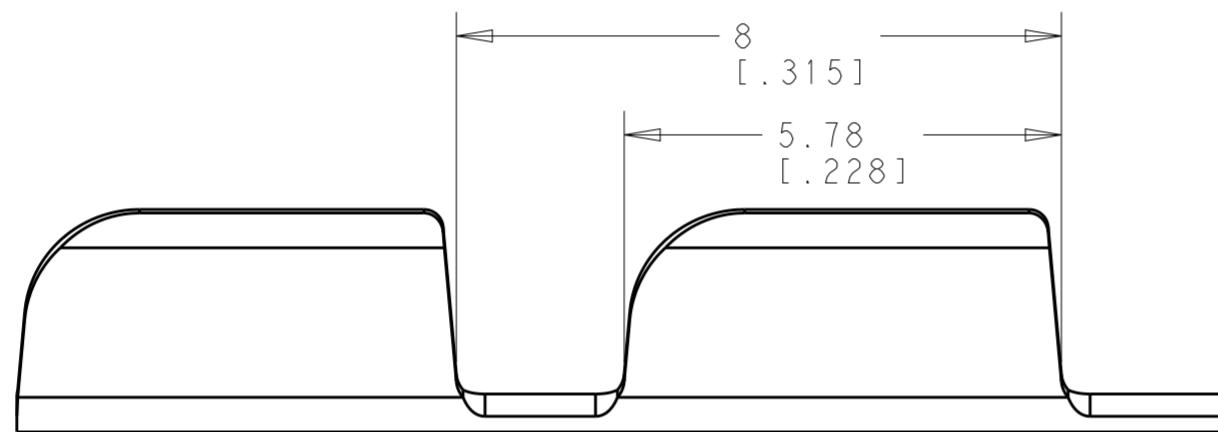
THIS DRAWING IS UNPUBLISHED. RELEASED FOR PUBLICATION 20
 © COPYRIGHT 20 BY - ALL RIGHTS RESERVED.

REVISIONS				
P	LTR	DESCRIPTION	DATE	DWN APVD
	A	INITIAL RELEASE	22 JUN 16	JH TIM

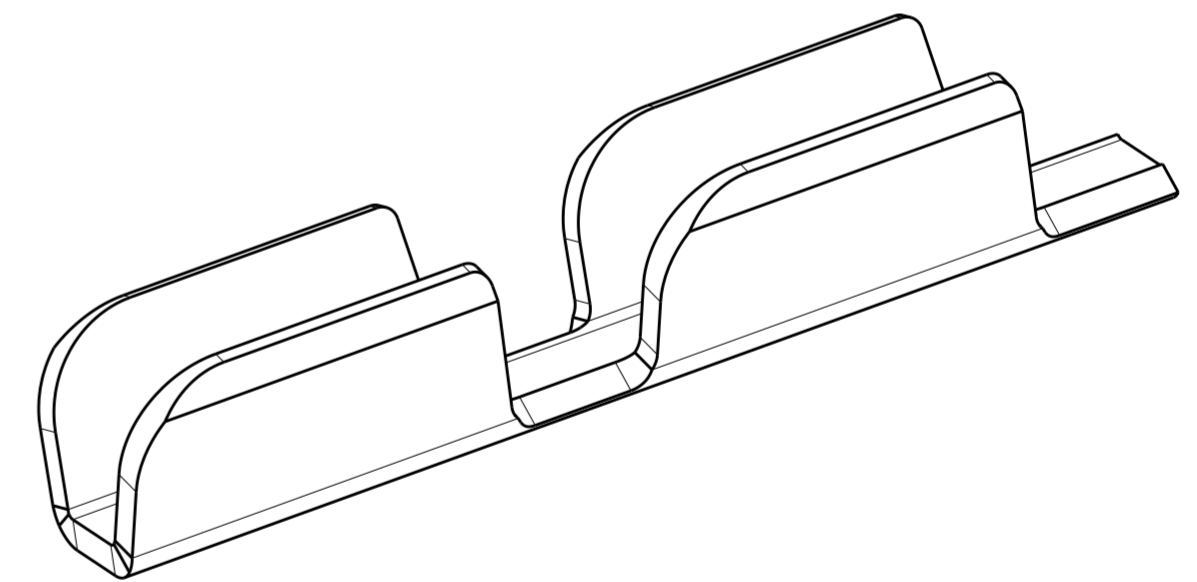


9 AMPLIVAR SERRATIONS

- 1 PRODUCT PROVIDED IN STRIP FORM ON REELS; BREAKS MAY BE PRESENT
- 2 DIMENSION IN BRACKETS ARE IN INCHES
- 3 CRIMP WIDTH: .090 F (AMPLIVAR TYPE)
CRIMP HEIGHT (+/- .002) = (TOTAL CMA + 6950)/150000
- 4 USE WITH ALUMINUM WIRE.



SECTION A-A
SCALE 20:1



2296314-1
PART NO.

THIS DRAWING IS A CONTROLLED DOCUMENT.		DWN GARY.Z 29OCT2015	TE Connectivity	
DIMENSIONS: mm [INCHES]		CHK JAIN.L 29OCT2015		
TOLERANCES UNLESS OTHERWISE SPECIFIED:		APVD RAJENDRA 29OCT2015	NAME AMPLIVAR SPLICE 1000-2500 CMA	
0 PLC ±- 1 PLC ±.1 2 PLC ±0.38 [.015] 3 PLC ±.001 4 PLC ±.0001 ANGLES ±2° FINISH		PRODUCT SPEC 108-32030	SIZE A2	CAGE CODE -
MATERIAL BRASS	FINISH TIN	APPLICATION SPEC 114-2003	DRAWING NO. C-2296314	RESTRICTED TO -
		WEIGHT -	SCALE 10:1	SHEET 1 OF 1 REV A
		CUSTOMER DRAWING		