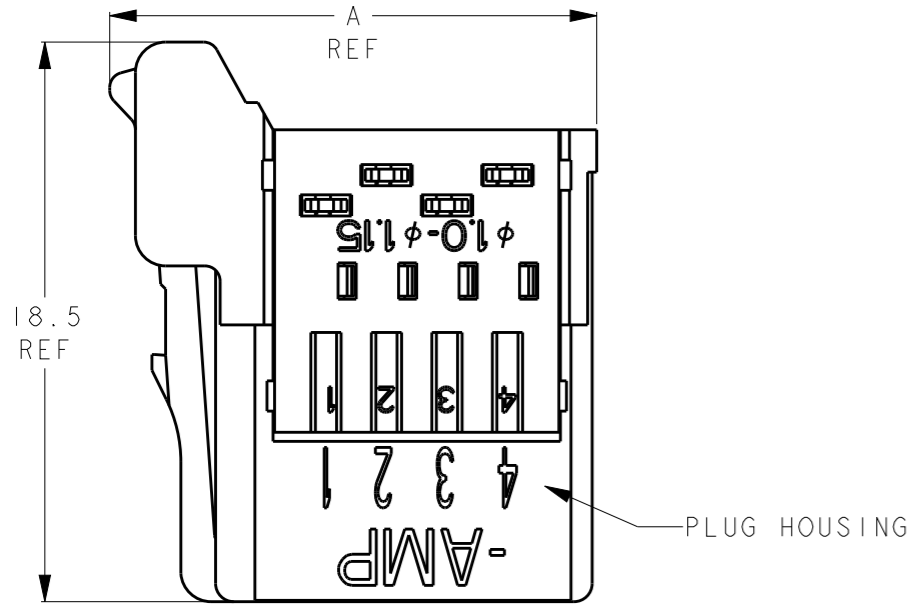


THIS DRAWING IS UNPUBLISHED. RELEASED FOR PUBLICATION 20
 © COPYRIGHT 20 BY - ALL RIGHTS RESERVED.

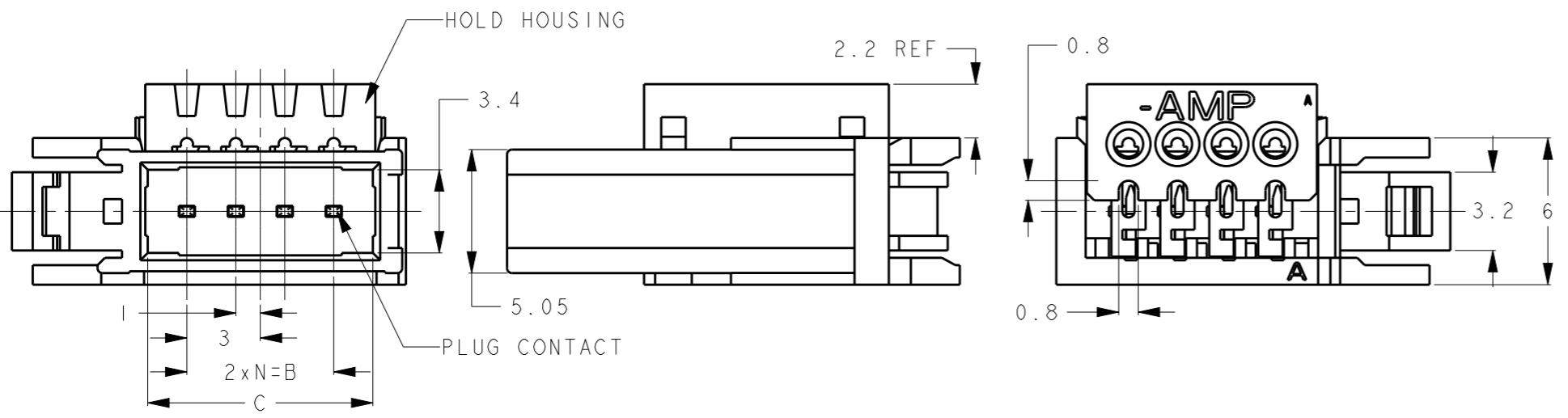
REVISIONS					
P	LTR	DESCRIPTION	DATE	DWN	APVD
	A	RELEASED	28JAN2017	T.S	E.T

2296184-4:AS SHOWN.



1. MATERIAL: PLUG HOUSING : GLASS FILED THERMOPLASTIC, 94V-0
 COLOR: BLACK
 HOLD HOUSING : PC, 94V-0
 COLOR: YELLOW: 0- . RED: 1- . BLUE: 2-
 CONTACT : COPPER ALLOY

2. FINISH:
 ALL OVER : NICKEL 1.27μm MIN
 CONTACT AREA : GOLD 0.2μm MIN OVER NICKEL
 WIRE TERMINATION AREA : Sn 2μm MIN

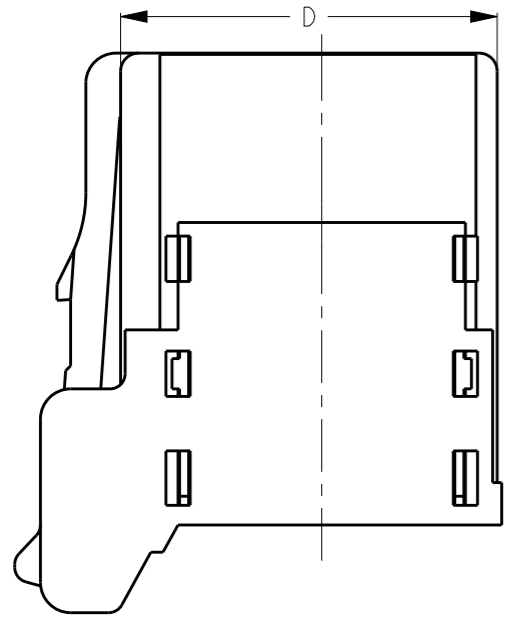


· Instruction Sheet: 411-78014

<Table of Insulation Dia (Cable suitable for e-CON.)>

HOLD HSG COLOR	INSULATION DIA	PART NO	SHEET NO
ORANGE	∅0.60~0.90	3-2296184-□	SEE SHEET 3
RED	∅0.90~1.00	1-2296184-□	SEE SHEET 1
YELLOW	∅1.00~1.15	2296184-□	SEE SHEET 1
BLUE	∅1.15~1.35	2-2296184-□	SEE SHEET 1
GREEN	∅1.35~1.60	4-2296184-□	SEE SHEET 2

YELLOW	12.35	9.2	6	16.1	3	4	2296184-4
BLUE	10.35	7.2	4	14.1	2	3	2-2296184-3
RED	10.35	7.2	4	14.1	2	3	1-2296184-3
YELLOW	10.35	7.2	4	14.1	2	3	2296184-3
HOLD HSG COLOR	D	C	B	A	N	POS	PART NO



THIS DRAWING IS A CONTROLLED DOCUMENT.

DIMENSIONS:	TOLERANCES UNLESS OTHERWISE SPECIFIED:
mm	
	0 PLC ±· ±0.2
	1 PLC ±· ±0.2
	2 PLC ±· ±3°
	3 PLC ±·
	4 PLC ±·
	ANGLES ±·
MATERIAL SEE NOTE	FINISH SEE NOTE

DWN	28JAN2017
T. SHIMOYASU	
CHK	28JAN2017
E. TAKEMASA	
APVD	28JAN2017
N. YAMASAKI	
PRODUCT SPEC	108-5765
APPLICATION SPEC	-
WEIGHT	-
CUSTOMER DRAWING	

WIRE RANGE 包合電線断面積 SEE 108-5765 INSULATION DIA 被覆外径 SEE 108-5765

STE TE Connectivity

NAME PLUG ASSEMBLY RITS CONNECTOR FOR e-CON WIRE TERMINATION Sn TYPE

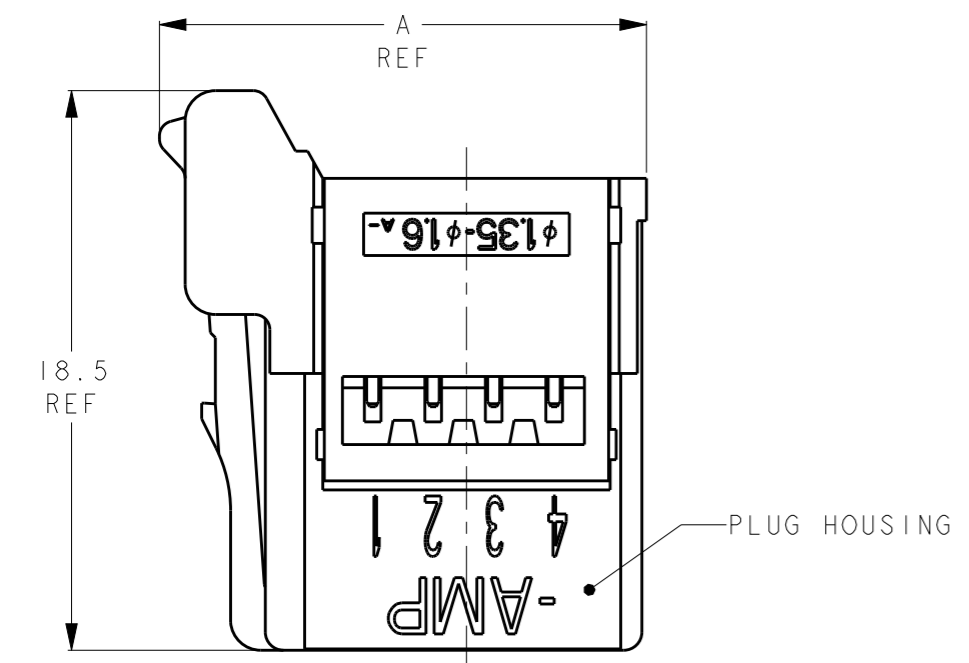
SIZE	CAGE CODE	DRAWING NO	RESTRICTED TO
A300779	C=2296184		-

SCALE 4:1 SHEET 1 OF 3 REV A

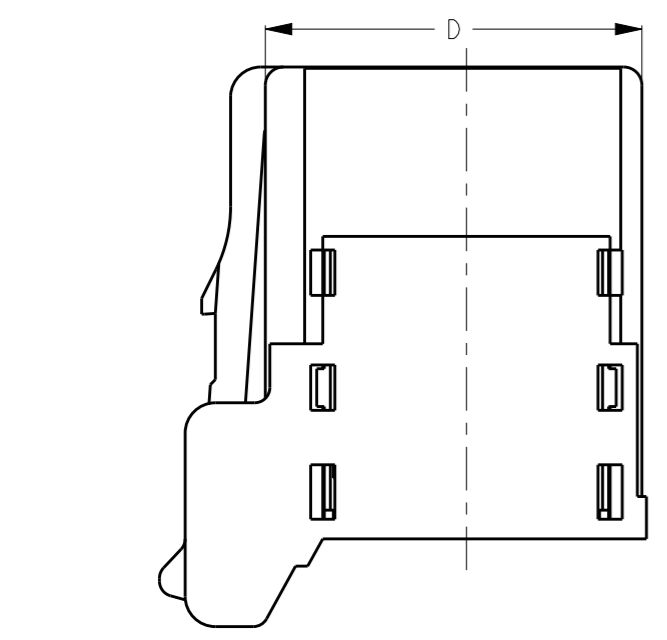
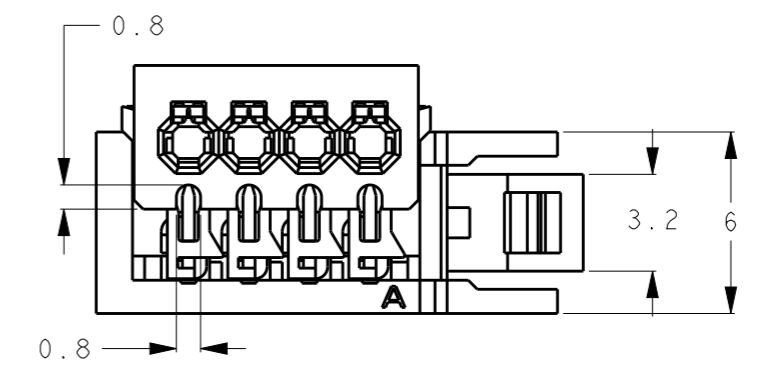
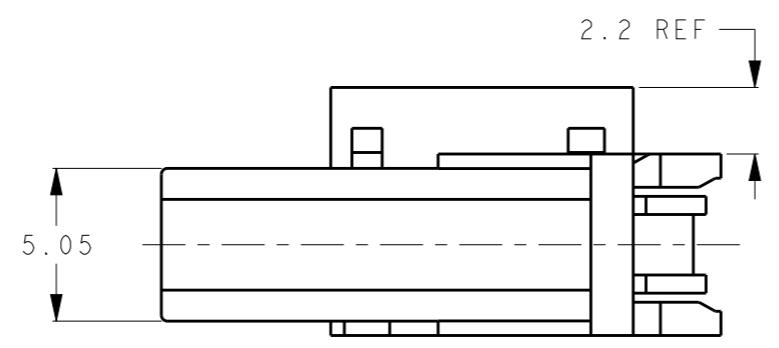
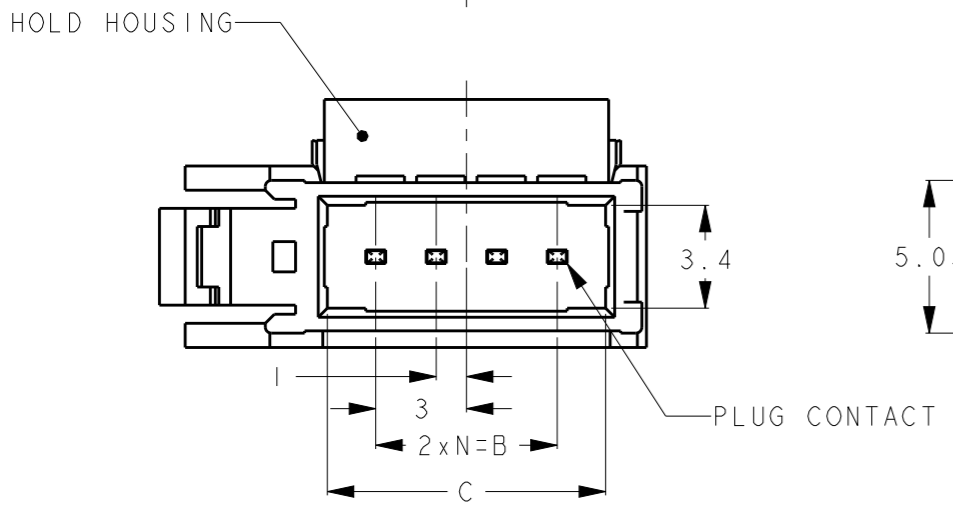
THIS DRAWING IS UNPUBLISHED. RELEASED FOR PUBLICATION 20
 © COPYRIGHT 20 BY - ALL RIGHTS RESERVED.

REVISIONS					
P	LTR	DESCRIPTION	DATE	DWN	APVD
-	-	SEE SHEET 1	-	-	-

4-2296184-4:AS SHOWN



- 1. MATERIAL: PLUG HOUSING : GLASS FILLED THERMOPLASTIC, 94V-0
 COLOR: BLACK
 HOLD HOUSING : PC, 94V-0
 COLOR: GREEN 4-
 CONTACT : COPPER ALLOY
- 2. FINISH:
 ALL OVER : NICKEL 1.27μm MIN
 CONTACT AREA : GOLD 0.2μm MIN OVER NICKEL
 WIRE TERMINATION AREA : Sn 2μm MIN



Instruction Sheet: 411-78014

GREEN	12.35	9.2	6	16.1	3	4	4-2296184-4
	10.35	7.2	4	14.1	2	3	4-2296184-3
HOLD HSG COLOR	D	C	B	A	N	POS	PART NO

THIS DRAWING IS A CONTROLLED DOCUMENT.		DWN T. SHIMOYASU 28 JAN 2017	TE Connectivity	
DIMENSIONS: mm		CHK E. TAKEMASA 28 JAN 2017		
TOLERANCES UNLESS OTHERWISE SPECIFIED:		APVD N. YAMASAKI 28 JAN 2017	NAME PLUG ASSEMBLY RITS CONNECTOR FOR e-CON WIRE TERMINATION Sn TYPE	
0 PLC ±- 1 PLC ±- ±0.2 2 PLC ±- ±3° 3 PLC ±- 4 PLC ±- ANGLES ±-		PRODUCT SPEC 108-5765	SIZE A300779	
MATERIAL SEE NOTE		APPLICATION SPEC -	DRAWING NO C-2296184	
FINISH SEE NOTE		WEIGHT -	RESTRICTED TO -	
1		CUSTOMER DRAWING		SCALE 4:1
2		SHEET 2 OF 3		REV A

THIS DRAWING IS UNPUBLISHED.

RELEASED FOR PUBLICATION

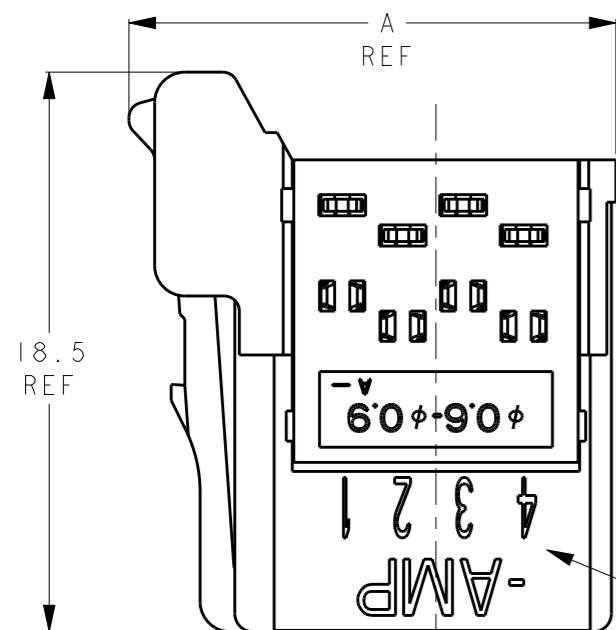
20

© COPYRIGHT 20 BY - ALL RIGHTS RESERVED.

REVISIONS

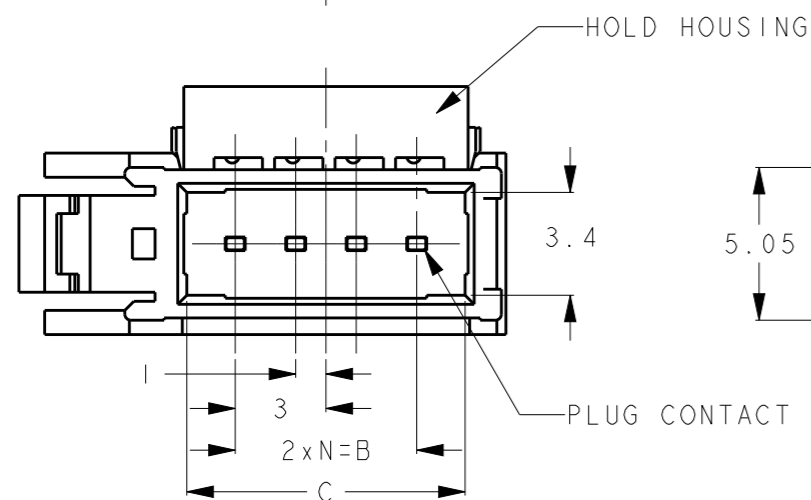
P	LTR	DESCRIPTION	DATE	DWN	APVD
-	-	SEE SHEET 1	-	-	-

3-2296184-3 : AS SHOWN



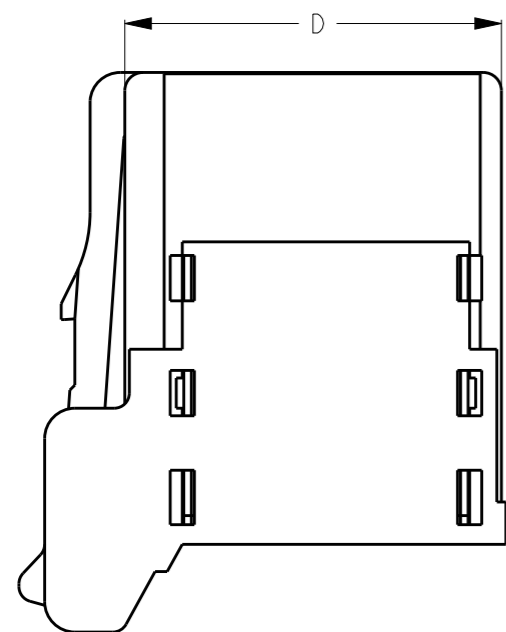
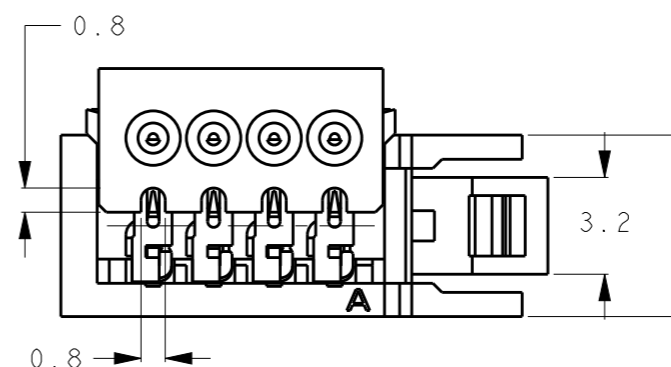
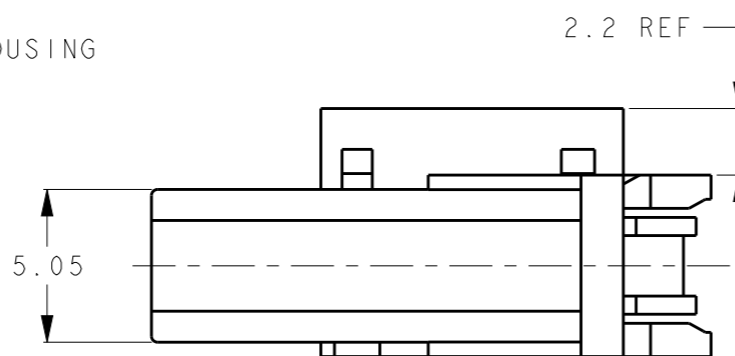
PLUG HOUSING

- 1 .MATERIAL: PLUG HOUSING : GLASS FILLED THERMOPLASTIC, 94V-0
COLOR: BLACK
HOLD HOUSING : PC, 94V-0
COLOR: ORANGE 3-
CONTACT : COPPER ALLOY
- 2 .FINISH:
ALL OVER : NICKEL 1.27μm MIN
CONTACT AREA : GOLD 0.2μm MIN OVER NICKEL
WIRE TERMINATION AREA : Sn 2μm MIN




HOLD HOUSING

PLUG CONTACT



· Instruction Sheet: 411-78014

ORANGE	10.35	7.2	4	14.1	2	3	3-2296184-3
HOLD HSG COLOR	D	C	B	A	N	POS	PART NO

THIS DRAWING IS A CONTROLLED DOCUMENT.		DWN T. SHIMOYASU 28 JAN 2017	 TE Connectivity	
DIMENSIONS: mm		CHK E. TAKEMASA 28 JAN 2017		
TOLERANCES UNLESS OTHERWISE SPECIFIED:		APVD N. YAMASAKI 28 JAN 2017	NAME PLUG ASSEMBLY RITS CONNECTOR FOR e-CON WIRE TERMINATION Sn TYPE	
0 PLC ±: ±0.2 1 PLC ±: ±3° 2 PLC ±: 3 PLC ±: 4 PLC ±: ANGLES ±:		PRODUCT SPEC 108-5765	SIZE A300779	
MATERIAL SEE NOTE		APPLICATION SPEC -	DRAWING NO C-2296184	
FINISH SEE NOTE		WEIGHT -	RESTRICTED TO -	
1 SEE NOTE		CUSTOMER DRAWING		SCALE 4:1
2 SEE NOTE		SHEET 3 OF 3		REV A