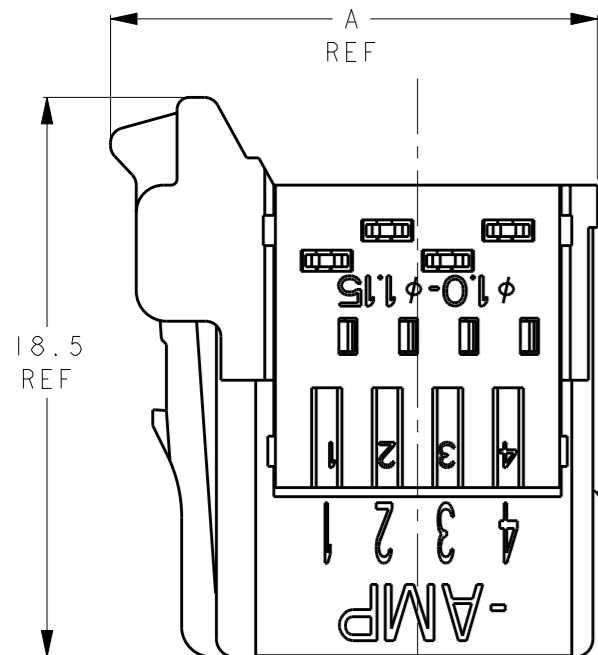


THIS DRAWING IS UNPUBLISHED. RELEASED FOR PUBLICATION 20
 © COPYRIGHT 20 BY - ALL RIGHTS RESERVED.

2295044-4:AS SHOWN
 2295044-4:本図

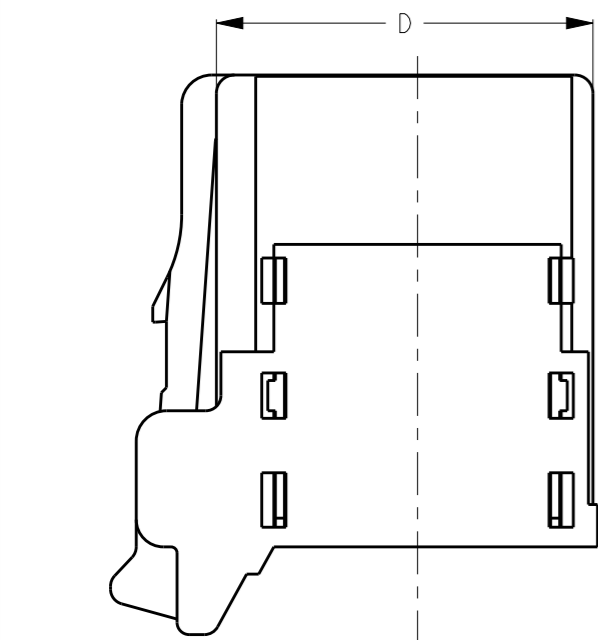
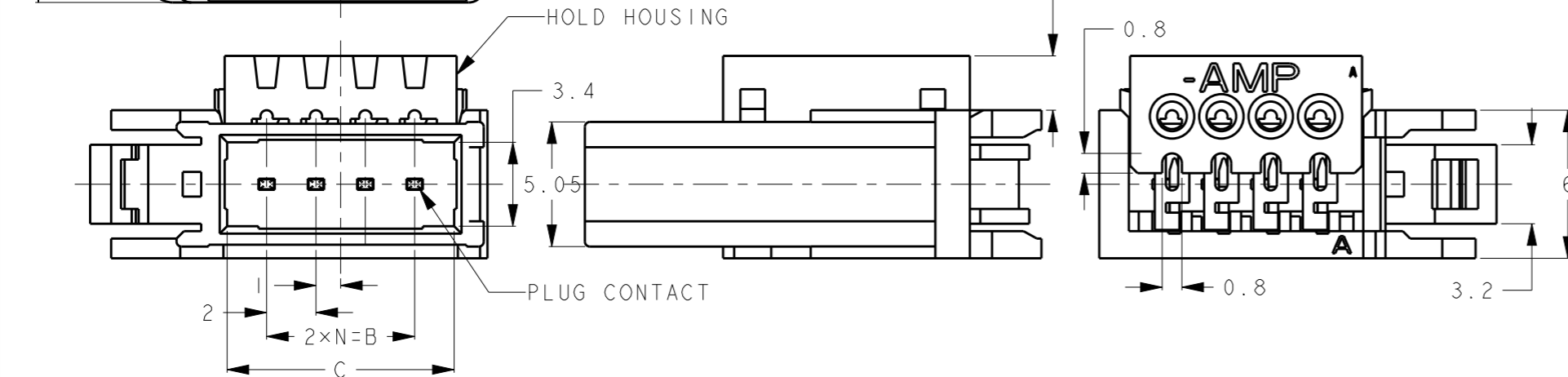
REVISIONS

P	LTR	DESCRIPTION	DATE	DWN	APVD
	A	RELEASED	08DEC2015	K.K	E.T



- 注記
- 1 材料: PLUG HOUSING: ガラス入り熱可塑性ポリエステル樹脂 94V-0 黒
 HOLD HOUSING: ポリカーボネイト 94V-0 黄色: 0-、赤色: 1-、青色: 2-
 コンタクト: 銅合金
 - 2 メッキ: 全面Ni下地: 1.27μm以上
 接点部: 0.2μm MIN 金メッキ
 ケーブル結線部: すずメッキ 2μm以上
 - 3 -5(5POS)と-7(7POS)は、回路番号6と8にコンタクトが装着されません

- NOTE
- 1 MATERIAL: PLUG HOUSING : GLASS FILED THERMOPLASTIC, 94V-0, BLACK
 HOLD HOUSING : PC, 94V-0, YELLOW: 0- . RED: 1- . BLUE: 2-
 CONTACT : COPPER ALLOY
 - 2 FINISH: UNDERPLATE : Ni 1.27μm min
 CONTACT AREA : Au 0.2μm min
 WIRE TERMINATION AREA : Sn 2μm min
 - 3 X--5(5POS) AND X--7(7POS) DO NOT EQUIP WITH CONTACT OF CIRCUIT NO 6 AND 8.



< Table of Insulation Dia (Cable suitable for e-CON.) >
 < 被覆外径一覧表 (e-CON 適応電線) >

HOLD HSG COLOR	INSULATION DIA	P/N	SHEET No
ORANGE	φ0.60~0.90	3-2295044-□	SEE SHEET 3
RED	φ0.90~1.00	1-2295044-□	SEE SHEET 1
YELLOW	φ1.00~1.15	2295044-□	SEE SHEET 1
BLUE	φ1.15~1.35	2-2295044-□	SEE SHEET 1
GREEN	φ1.35~1.60	4-2295044-□	SEE SHEET 2

BLUE	20.35	17.2	14	24.1	7	8	2-2295044-8
RED	20.35	17.2	14	24.1	7	8	1-2295044-8
YELLOW	20.35	17.2	14	24.1	7	8	2295044-8
BLUE	20.35	17.2	14	24.1	7	7	3 2-2295044-7
RED	20.35	17.2	14	24.1	7	7	3 1-2295044-7
YELLOW	20.35	17.2	14	24.1	7	7	3 2295044-7
BLUE	16.35	13.2	10	20.1	5	6	2-2295044-6
RED	16.35	13.2	10	20.1	5	6	1-2295044-6
YELLOW	16.35	13.2	10	20.1	5	6	2295044-6
BLUE	16.35	13.2	10	20.1	5	5	3 2-2295044-5
RED	16.35	13.2	10	20.1	5	5	3 1-2295044-5
YELLOW	16.35	13.2	10	20.1	5	5	3 2295044-5
BLUE	12.35	9.2	6	16.1	3	4	2-2295044-4
RED	12.35	9.2	6	16.1	3	4	1-2295044-4
YELLOW	12.35	9.2	6	16.1	3	4	2295044-4
BLUE	10.35	7.2	4	14.1	2	3	2-2295044-3
RED	10.35	7.2	4	14.1	2	3	1-2295044-3
YELLOW	10.35	7.2	4	14.1	2	3	2295044-3
HOLD HSG COLOR	D	C	B	A	N	POS	P/N

取扱説明書 (Instruction Sheet): 411-78014

THIS DRAWING IS A CONTROLLED DOCUMENT.

DIMENSIONS:	TOLERANCES UNLESS OTHERWISE SPECIFIED:
単位: 概 mm	一般公差
	0 PLC ±
	1 PLC ± ±0.2
	2 PLC ± ±3°
	3 PLC ±
	4 PLC ±
	ANGLES ±
MATERIAL 材料	FINISH 仕上
SEE NOTE	SEE NOTE

DWN	9DEC2015
K. KUWAHATA	
CHK	9DEC2015
E. TAKEMASA	
APVD	9DEC2015
F. TAKEMASA	
PRODUCT SPEC	108-5765
APPLICATION SPEC	
取付適用規格	
WEIGHT	-
CUSTOMER DRAWING	

WIRE RANGE 総合電線断面積 SEE 108-5765

INSULATION DIA 被覆外径 SEE TABLE

STE TE Connectivity

NAME 名称 PLUG ASSY
 FOR e-CON - RITS CONN. -
 WIRE TERMINATION Sn TYPE

SIZE	CAGE CODE	DRAWING NO	RESTRICTED TO
A3	00779	C=2295044	-

SCALE 尺度 4:1 SHEET 1 OF 3 REV A

4

3

2

1

THIS DRAWING IS UNPUBLISHED.

RELEASED FOR PUBLICATION

20

© COPYRIGHT 20

BY -

ALL RIGHTS RESERVED.

REVISIONS

変更

P	LTR	DESCRIPTION	ECN	DATE	DWN	APVD
		SEE SHEET 1				

4-2295044-4: AS SHOWN
4-2295044-4: 本図

PLUG HOUSING

① 材料 PLUG HOUSING : ガラス入り熱可塑性ポリエステル樹脂 94V-0 黒
HOLD HOUSING : ポリカーボネイト 94V-0 緑色 : 4-
コンタクト : 銅合金

② 仕上げ 全面 : ニッケルメッキ下地 1.27μm以上
接点部 : 金メッキ 0.2μm以上
ケーブル結線部 : すずメッキ 2μm以上

③ -5(5POS)と-7(7POS)は、回路番号6と8にコンタクトが装着されません

① MATERIAL PLUG HOUSING : GLASS FILLED THERMOPLASTIC, 94V-0, BLACK
HOLD HOUSING : PC, 94V-0, GREEN: 4-
CONTACT : COPPER ALLOY

② FINISH UNDERPLATE : Ni PLATING ALL SURFACE 1.27μm MIN
CONTACT AREA : Au PLATING 0.2μm MIN
WIRE TERMINATION AREA : Sn 2μm MIN

③ -5(5POS) AND -7(7POS) DO NOT EQUIP WITH CONTACT OF CIRCUIT NO 6 AND 8.

2:1

HOLD HOUSING

PLUG CONTACT

2.2 REF

0.8

6

3.2

D

取扱説明書 (Instruction Sheet): 411-78014

HOLD HSG COLOR	D	C	B	A	N	POS.	PART NUMBER
GREEN	20.35	17.2	14	24.1	7	8	4-2295044-8
	20.35	17.2	14	24.1	7	7	③4-2295044-7
	16.35	13.2	10	20.1	5	6	4-2295044-6
	16.35	13.2	10	20.1	5	5	③4-2295044-5
	12.35	9.2	6	16.1	3	4	4-2295044-4
10.35	7.2	4	14.1	2	3	4-2295044-3	

THIS DRAWING IS A CONTROLLED DOCUMENT.

DWN 9DEC2015

K. KUWAHATA

CHK 9DEC2015

E. TAKEMASA

APVD 9DEC2015

E. TAKEMASA

NAME

名称

PLUG ASSY
FOR e-CON - RITS CONN. -
WIRE TERMINATION Sn TYPE

TE Connectivity

DIMENSIONS:
単位: 耗
mm

TOLERANCES UNLESS
OTHERWISE SPECIFIED:

一般公差	±	±0.2
0 PLC	±	±0.2
1 PLC	±	±3°
2 PLC	±	±
3 PLC	±	±
4 PLC	±	±
ANGLES	±	±

MATERIAL
材料
① SEE NOTEFINISH
仕上
② SEE NOTE

PRODUCT SPEC

製品規格

108-5765

APPLICATION SPEC

取付適用規格

-

WEIGHT

-

CUSTOMER DRAWING

SIZE

A3

CAGE CODE

00779

DRAWING NO

C-2295044

RESTRICTED TO

-

SCALE
尺度

4:1

SHEET

2 OF 3

REV

A

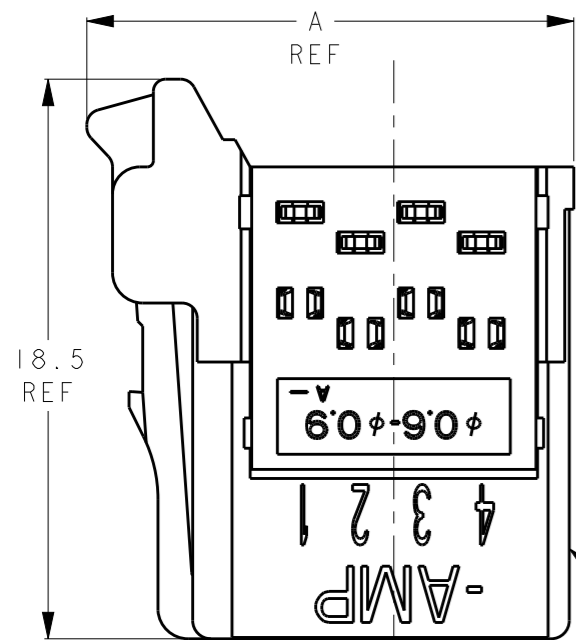
1470-19 (3/13)

REVISIONS

変更

P	LTR	DESCRIPTION	ECN	DATE	DWN	APVD
		SEE SHEET 1				

3-2295044-4 : AS SHOWN
 3-2295044-4 : 本図

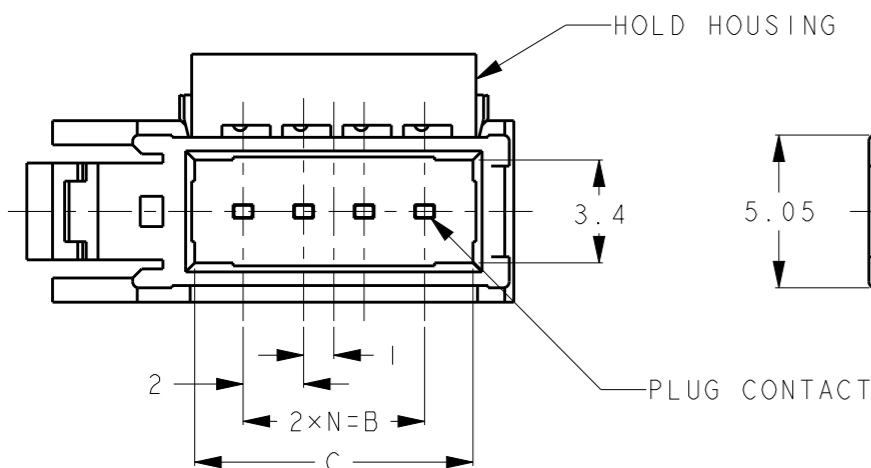


PLUG HOUSING

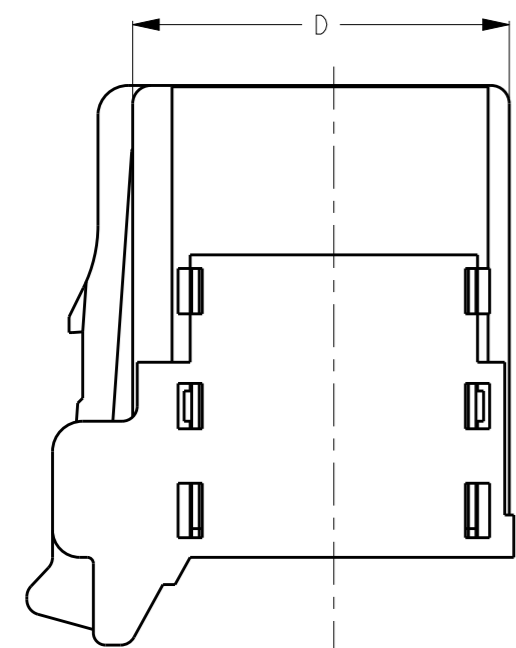
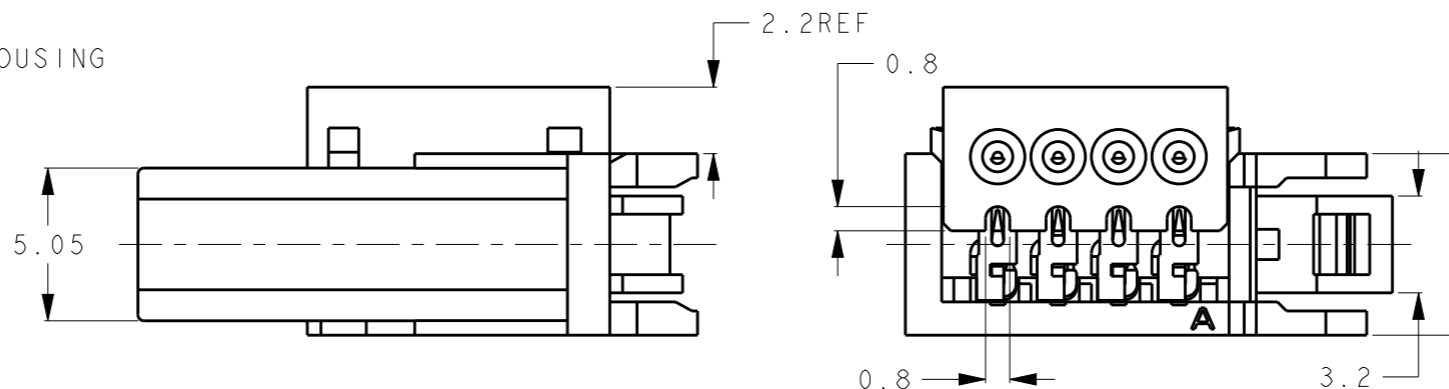
- ① 材料: PLUG HOUSING : ガラス入り熱可塑性ポリエステル樹脂 94V-0 黒
 HOLD HOUSING : ポリカーボネイト 94V-0 オレンジ色: 3-
 コンタクト: 銅合金
- ② メッキ: 全面ニッケル下地: 1.27μm以上
 接点部: 金メッキ 0.2μm以上
 ケーブル結線部: すずメッキ 2μm以上
- ③ -5(5POS)と-7(7POS)は、回路番号6と8にコンタクトが装着されません。

- ① MATERIAL: PLUG HOUSING : GLASS FILLED THERMOPLASTIC, 94V-0, BLACK
 HOLD HOUSING : PC, 94V-0, ORANGE: 3-
 CONTACT : COPPER ALLOY

- ② FINISH: UNDERPLATE : Ni 1.27μm MIN
 CONTACT AREA : Au 0.2μm MIN
 WIRE TERMINATION AREA : Sn 2μm MIN
- ③ -5(5POS) AND -7(7POS) DO NOT EQUIP WITH CONTACT OF CIRCUIT No, 6 & 8.



PLUG CONTACT



取扱説明書 (Instruction Sheet): 411-78014

ORANGE	20.35	17.2	14	24.1	7	8	3-2295044-8
	20.35	17.2	14	24.1	7	7	③ 3-2295044-7
	16.35	13.2	10	20.1	5	6	3-2295044-6
	16.35	13.2	10	20.1	5	5	③ 3-2295044-5
	12.35	9.2	6	16.1	3	4	3-2295044-4
	10.35	7.2	4	14.1	2	3	3-2295044-3
HOLD HSG COLOR	D	C	B	A	N	POS.	P/N

THIS DRAWING IS A CONTROLLED DOCUMENT.		DWN K. KUWAHATA 9DEC2015	 TE Connectivity
DIMENSIONS: 単位: 耗 mm		CHK E. TAKEMASA 9DEC2015	
TOLERANCES UNLESS OTHERWISE SPECIFIED: 一般公差		APVD E. TAKEMASA 9DEC2015	
0 PLC ± 0.2 1 PLC ± 0.2 2 PLC ± 3° 3 PLC ± 4 PLC ± ANGLES ±		NAME 名称 PLUG ASSY FOR e-CON - RITS CONN. - WIRE TERMINATION Sn TYPE	
MATERIAL 材料 ① SEE NOTE	FINISH 仕上 ② SEE NOTE	PRODUCT SPEC 製品規格 108-5765	SIZE A300779
CUSTOMER DRAWING		APPLICATION SPEC 取付適用規格 -	DRAWING NO 番号 C-2295044
		WEIGHT -	RESTRICTED TO -
		SCALE 尺度 4:1	SHEET 3 OF 3
			REV A