

THIS DRAWING IS UNPUBLISHED.

RELEASED FOR PUBLICATION

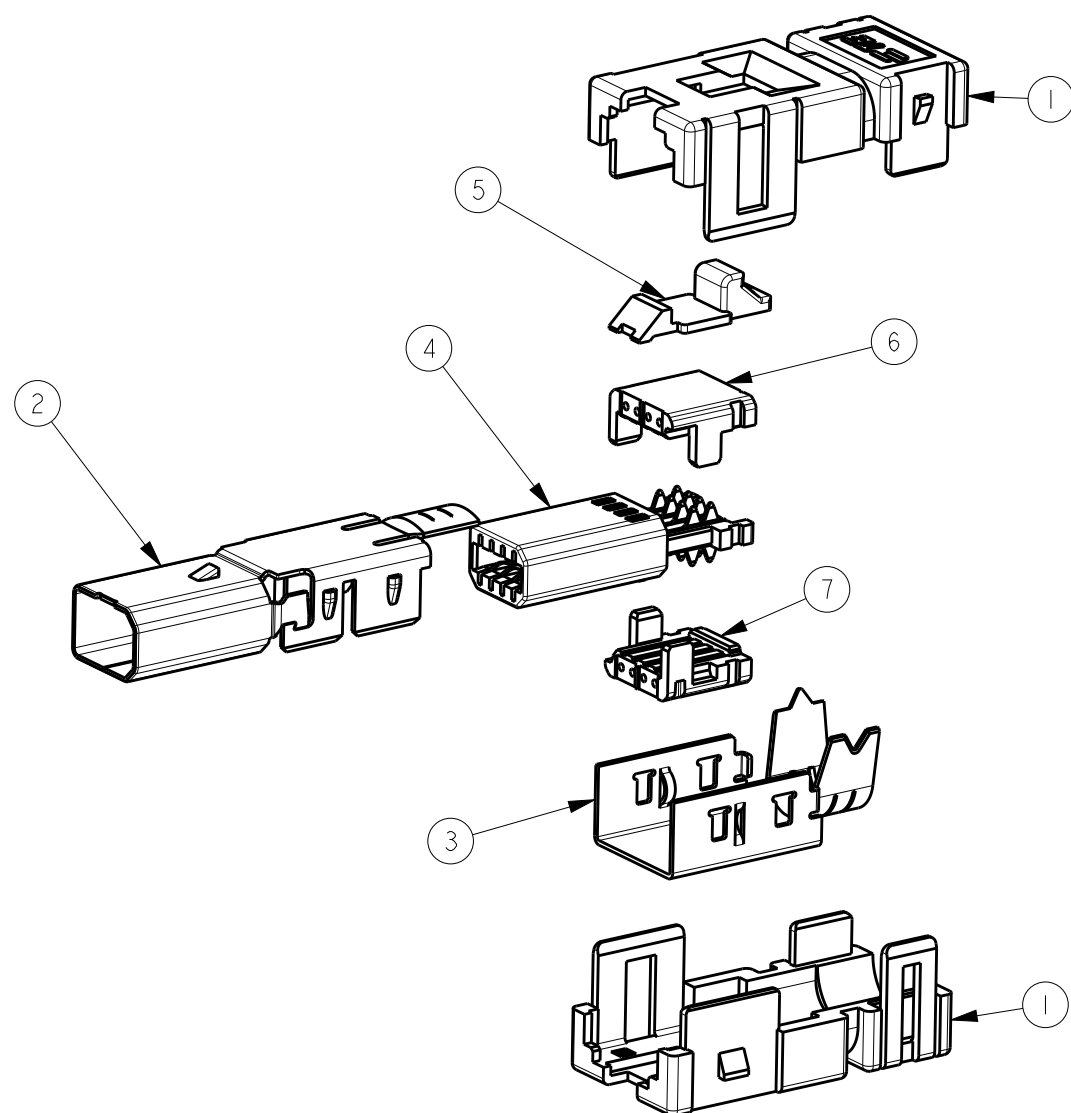
20

© COPYRIGHT 20 BY -

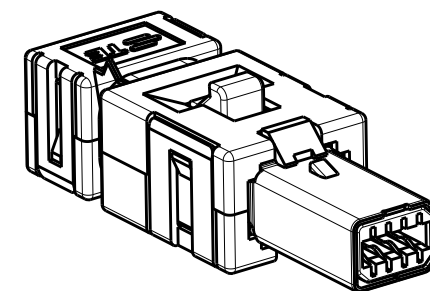
ALL RIGHTS RESERVED.

REVISIONS

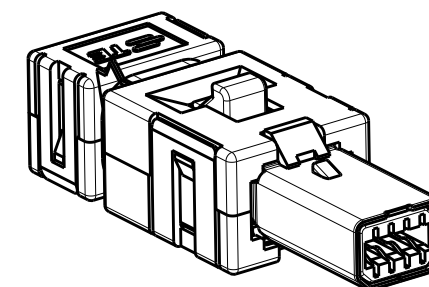
P	LTR	DESCRIPTION	DATE	DWN	APVD
A		INITIAL RELEASE	28SEP2018	SR	PP
B		RELEASE PER ECR-19-007307	07MAY2019	PP	PP



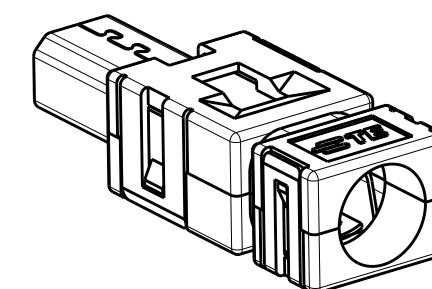
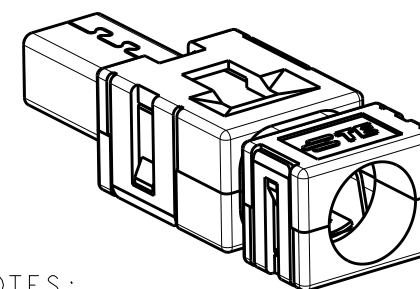
P/N 2294893-2 AS SHOWN



P/N 2294893-2
(TYPE 1)



P/N 1-2294893-2
(TYPE 2)



NOTES:

- 1. WEIGHT 4.38g
- 2. CADMIUM CONTENT: 5ppm UNDER (ONLY PLASTIC/RUBBER)
- 3. PACKAGE SINGLE PIECE BLISTER
- 4. FOR SINGLE PIECE BLISTER SEE DRAWING 2335145.

100	100	100	CABLE HOUSING M	7
100	100	100	CABLE HOUSING M	6
-	100	100	LOCK HOUSING WITH WHITE ARROW	5
100	-	-	LOCK HOUSING W/O WHITE ARROW	
100	100	100	PLUG SUB ASSY	4
100	100	100	BOTTOM SHELL	3
-	100	-	PLUG TOP SHELL TYPE II	2
100	-	100	PLUG TOP SHELL TYPE I	
-	200	200	PLUG COVER HOUSING YELLOW	1
200	-	-	PLUG COVER HOUSING BLACK	
-3	1-	-2	-2	
PARTNUMBER			DESCRIPTION	ITEM

THIS DRAWING IS A CONTROLLED DOCUMENT.

DIMENSIONS:	TOLERANCES UNLESS OTHERWISE SPECIFIED:
mm	
	Ø PLC ±0.1
	1 PLC ±0.5
	2 PLC ±0.13
	3 PLC ±0.013
	4 PLC ±0.0001
	ANGLES ±1
MATERIAL	FINISH
-	-

DWN	11SEP2018
CHK	RANE SAMUEL
APVD	11SEP2018
PRODUCT SPEC	P. POORTER
APPLICATION SPEC	P. POORTER
108-78955	
114-5506	
WEIGHT	-
CUSTOMER DRAWING	



INDUSTRIAL MINI I/O
PIERCING PLUG BULK KIT

NAME	INDUSTRIAL MINI I/O PIERCING PLUG BULK KIT
SIZE	A300779
CAGE CODE	C-2294893
DRAWING NO	
RESTRICTED TO	
SCALE	2:1
SHEET	1 OF 1
REV	B