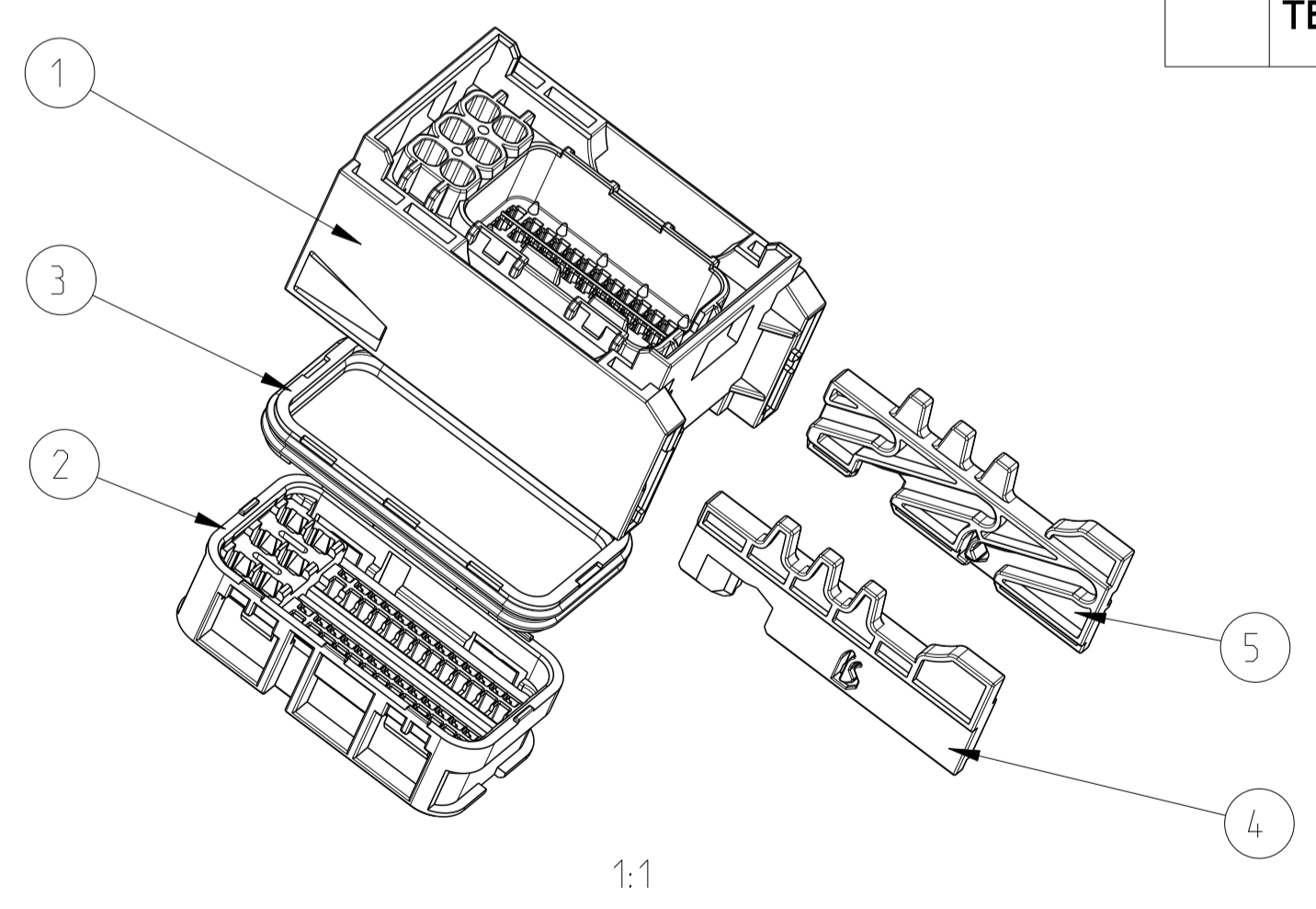
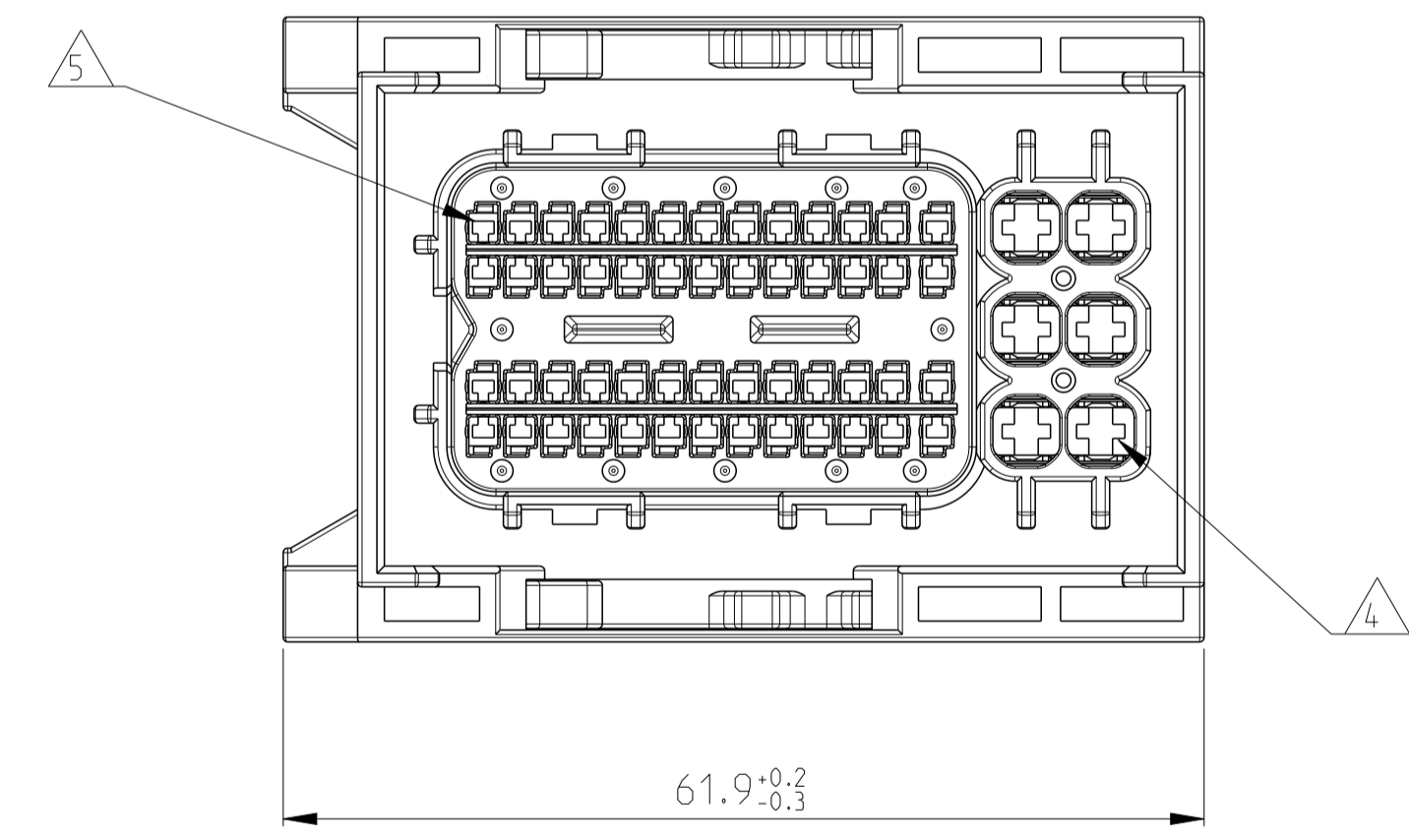
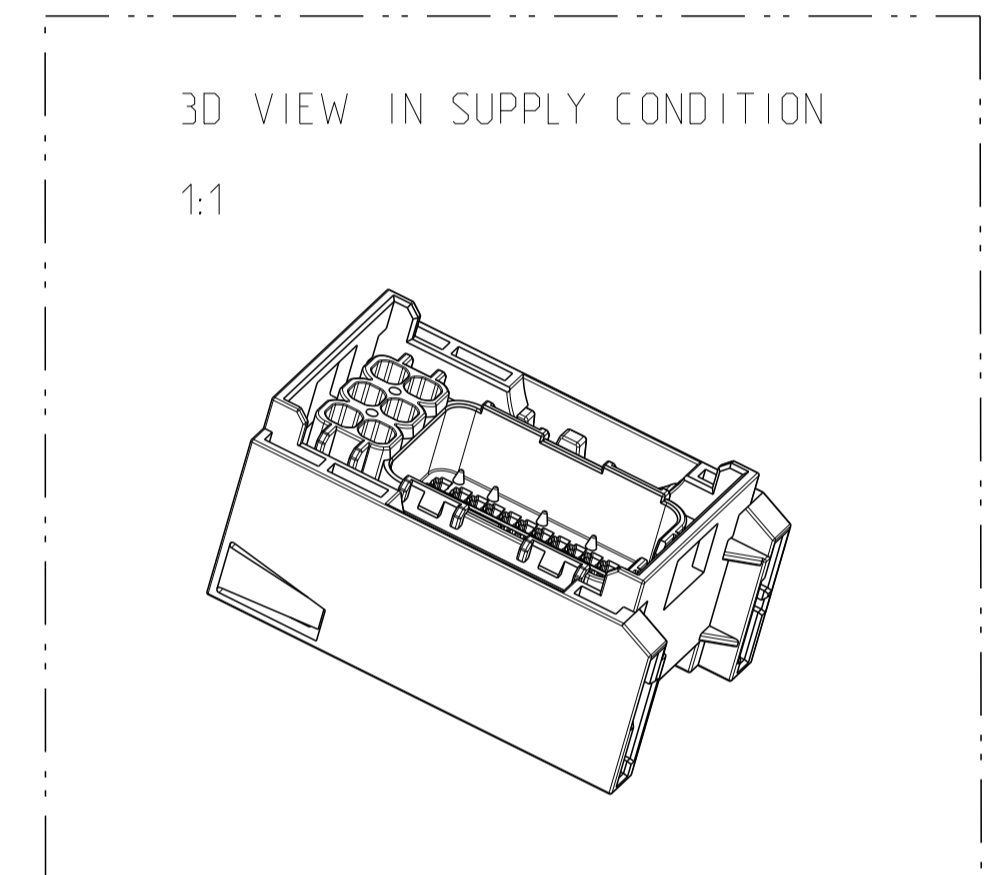
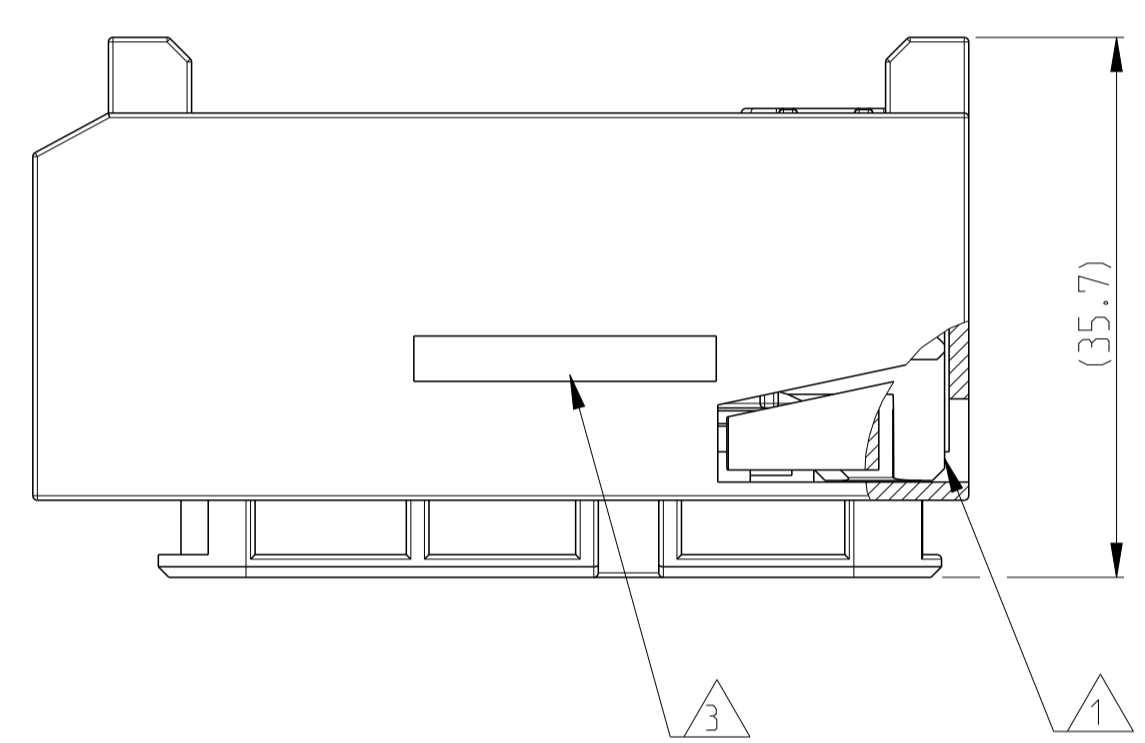
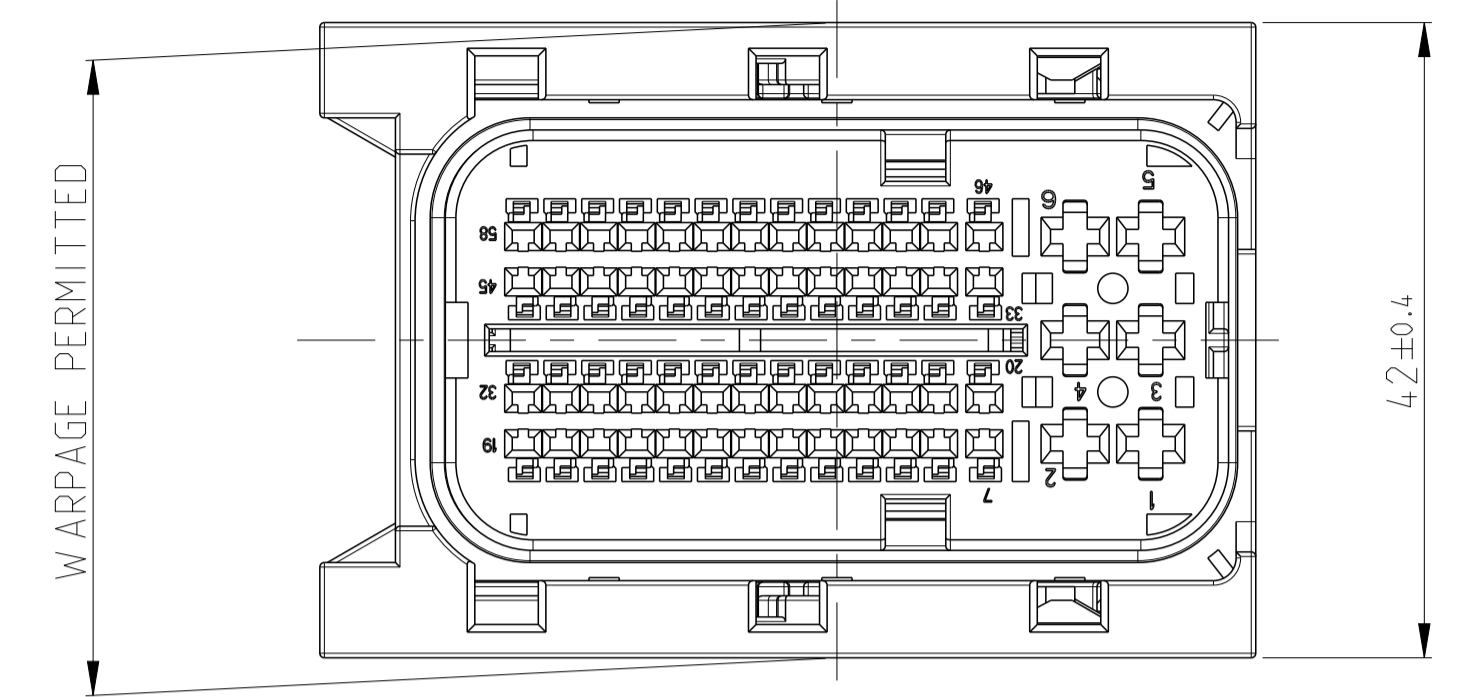


REVISIONS					
P	LTN	DESCRIPTION	DATE	DWN	APVD
A		INITIAL RELEASE	15JAN2016	CS	HR
A1		ECR-18-004651	03APR2018	KC	PT

NOTES

- 1 SUPPLY CONDITION: SLIDES IN END LOCKED POSITION
- A1 2 TE CONNECTIVITY TRADE MARK
- 3 TE CONNECTIVITY ASSEMBLY PART NUMBER
- 4 CAVITIES 1 TO 6: AMP MCP 2.8 ONLY
 QUANTITY SEE WIRE HARNESS DRAWING
 FOR PERMISSIBLE CURRENT CARRYING CAPACITY OF THE SINGLE CONTACT
 SEE PRODUCT SPECIFICATION NO. 108-18513
- 5 CAVITIES 7 TO 58: MCON 1.2 CB ONLY
 WIRE SIZE RANGE 0.35 - 0.75 mm² FLR permitted. ISO-Ø 1.2 - 1.9 MM
 QUANTITY SEE WIRE HARNESS DRAWING.
 FOR PERMISSIBLE CURRENT CARRYING CAPACITY OF THE SINGLE CONTACT
 SEE PRODUCT SPECIFICATION NO. 108-18782



* 1394897 WAS SUPERSEDED BY 1670144

TERMINALS TE PN	FINISH	WIRE SIZE (mm ²)	SINGLE WIRE SEAL	NOTES
14	0-1670144-3 *	SILVER PLATED	0.5 - 0.75	MAT SEAL BLIND PLUG 0.75mm ² PN 1-1452424-1 BROWN
	0-1534594-3		0.35	
	0-1670144-2 *	GOLD PLATED	0.5 - 0.75	
	0-1534594-2		0.35	
	0-1670144-1 *	PRE-TIN	0.5 - 0.75	
	0-1534594-1		0.35	
13	1-968857-1	PRE-TIN	>1.0 - 2.5	0-828905-1 (FOR ISOØ 2.2-3.0)
	1-968855-1		0.5 - 1.0	0-828904-1 (FOR ISOØ 1.2-2.1)
	1-968882-1		0.35	0-828904-1 (FOR ISOØ 1.2-2.1)
	1-968857-3	SILVER PLATED	>1.0 - 2.5	0-828905-1 (FOR ISOØ 2.2-3.0)
	1-968855-3		0.5 - 1.0	0-828904-1 (FOR ISOØ 1.2-2.1)
	1-968882-3		0.35	0-828904-1 (FOR ISOØ 1.2-2.1)

NOTE	FEATURE	TE Connectivity - No.
6	INTERFACE	114-18615
7	APPLICATION SPECIFICATION	114-18698-1
8	PRODUCT SPECIFICATION	108-94098-1
9	USEABLE COVERS	1452410-1 / 1452411-1 / 1452416-1
10	USEABLE LOCK	1452408-1 / 1452409-1
11	USEABLE CORE BUNDLE SEALING.	1718602
12	USEABLE BRACKET	1718601
13	CONTACTS AMP MCP 2.8 BY TE CONNECTIVITY SEE CHART	SEE GROUP DRAWING c-1355036
14	CONTACTS MCON 1.2 CB BY TE CONNECTIVITY SEE CHART	SEE GROUP DRAWING c-1534326

TITLE	CODING	TE Connectivity ORDER-NO.	REV	QTY	TITLE	MATERIAL	COLOUR	ITEM
RECEPTACLE HOUSING, RECTANGULAR - 58-POS.	A	1-2294806-1	A	1	SLIDER RIGHT, 58-POS.	PA66-GF25	BLACK	5
				1	SLIDER LEFT, 58-POS.	PA66-GF25	BLACK	4
				1	PERIPHERAL SEAL, 58-POS.	SILICONE	WHITE	3
				1	CONTACT HOUSING, 58-POS.	PA66-GF35	BLACK	2
				1	HOUSING, 58-POS.	PA66-GF35	BLACK	1

THIS DRAWING IS A CONTROLLED DOCUMENT. DWN: C. SCHAAD 15JAN2016, CH: C. WEBER 15JAN2016, APVD: H. RIPPER 15JAN2016

TE TE Connectivity

NAME: RECEPTACLE HOUSING 58 POS

SIZE: A1, CAGE CODE: 00779, DRAWING NO: C=2294806, SHEET 1 OF 1, REV A1

MATERIAL: -, FINISH: -, WEIGHT: 43g, CUSTOMER DRAWING, SCALE: 2:1