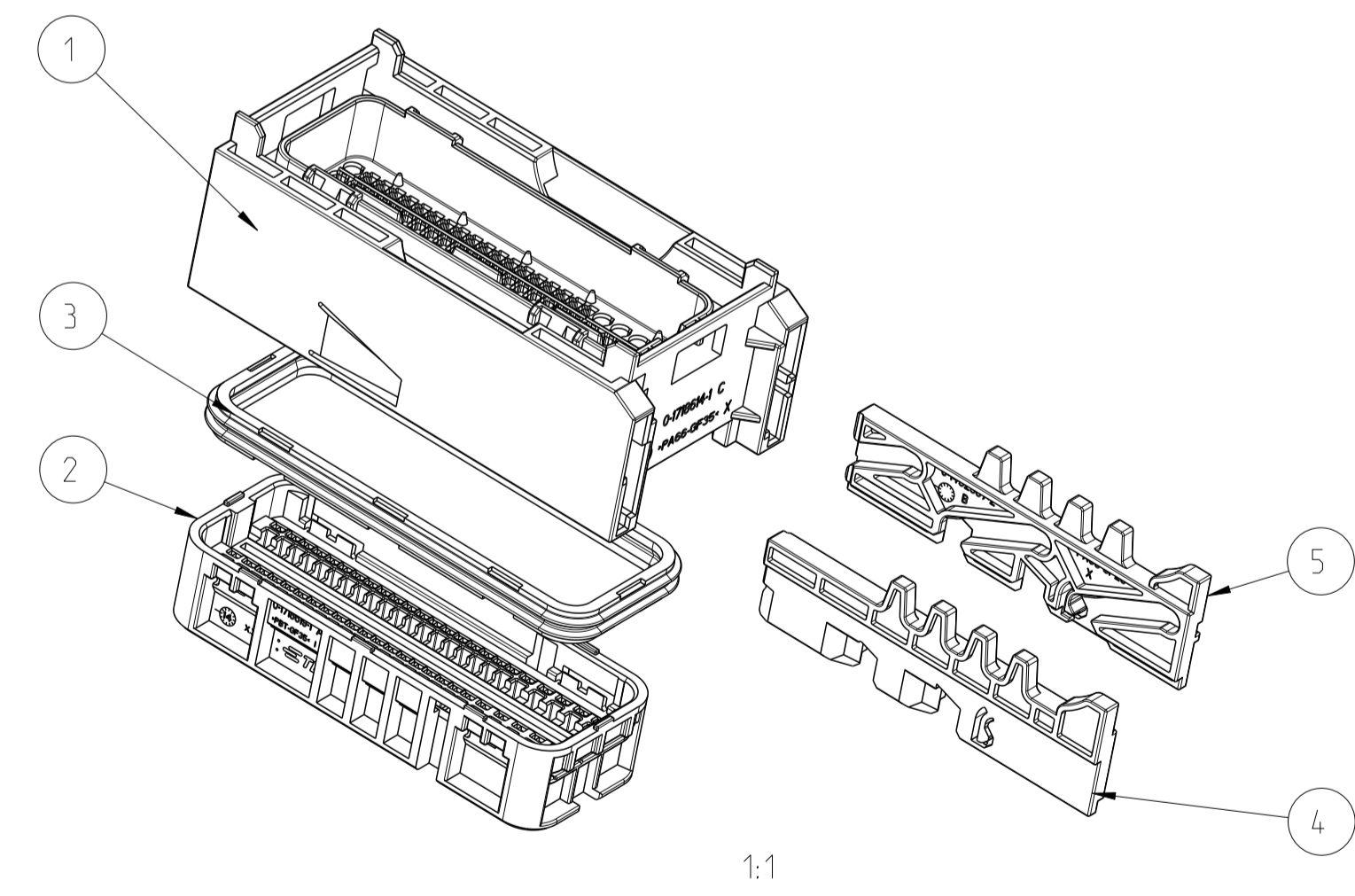
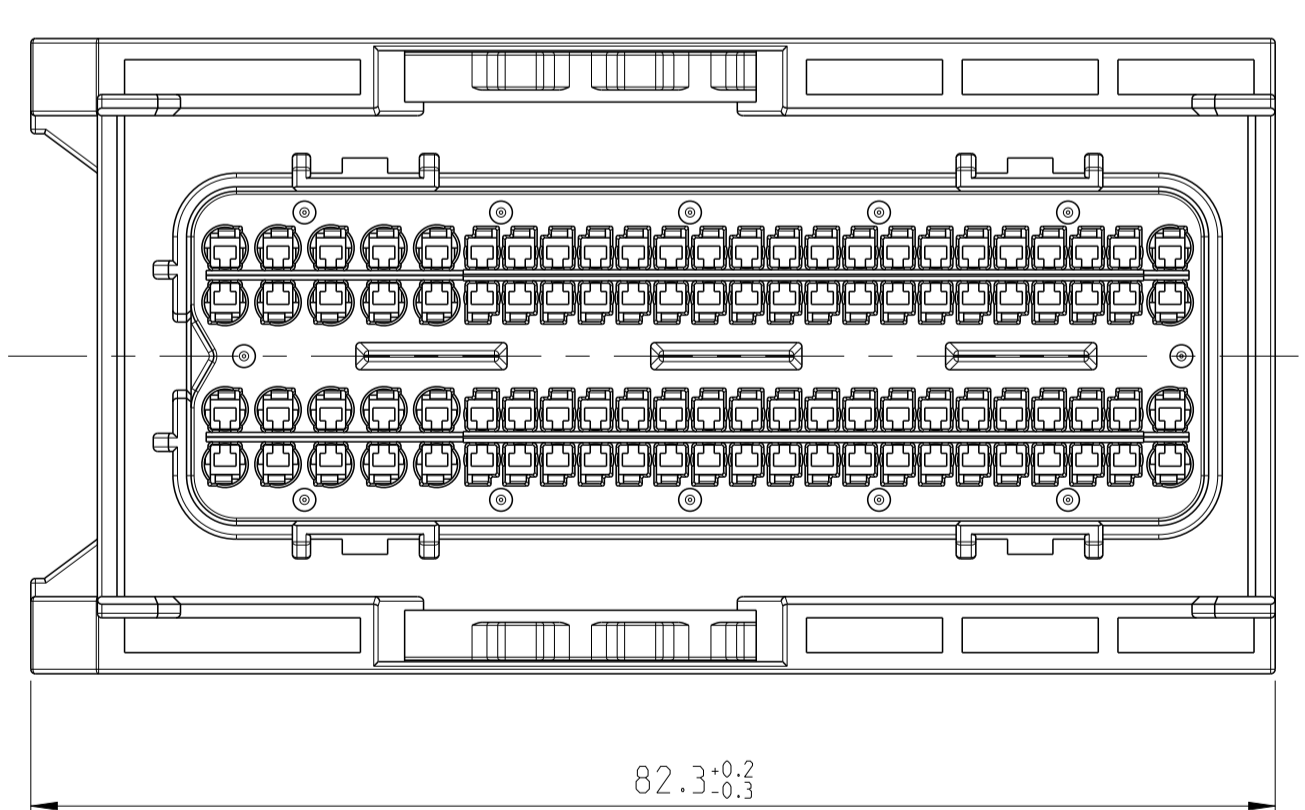
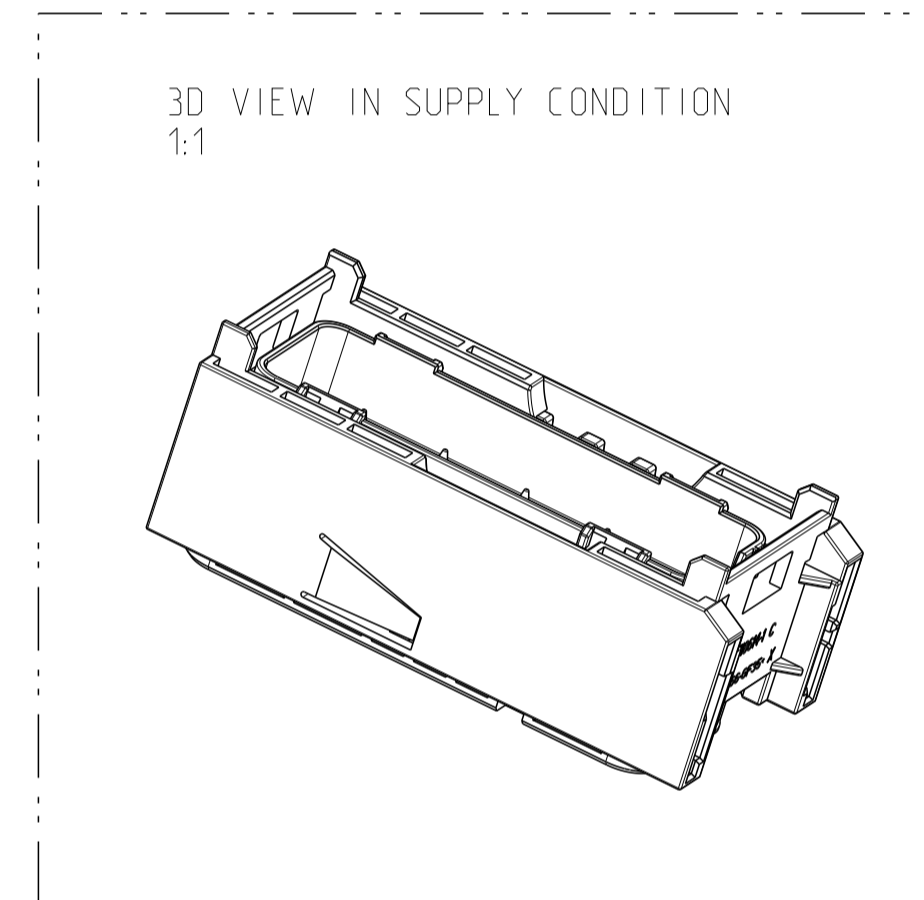
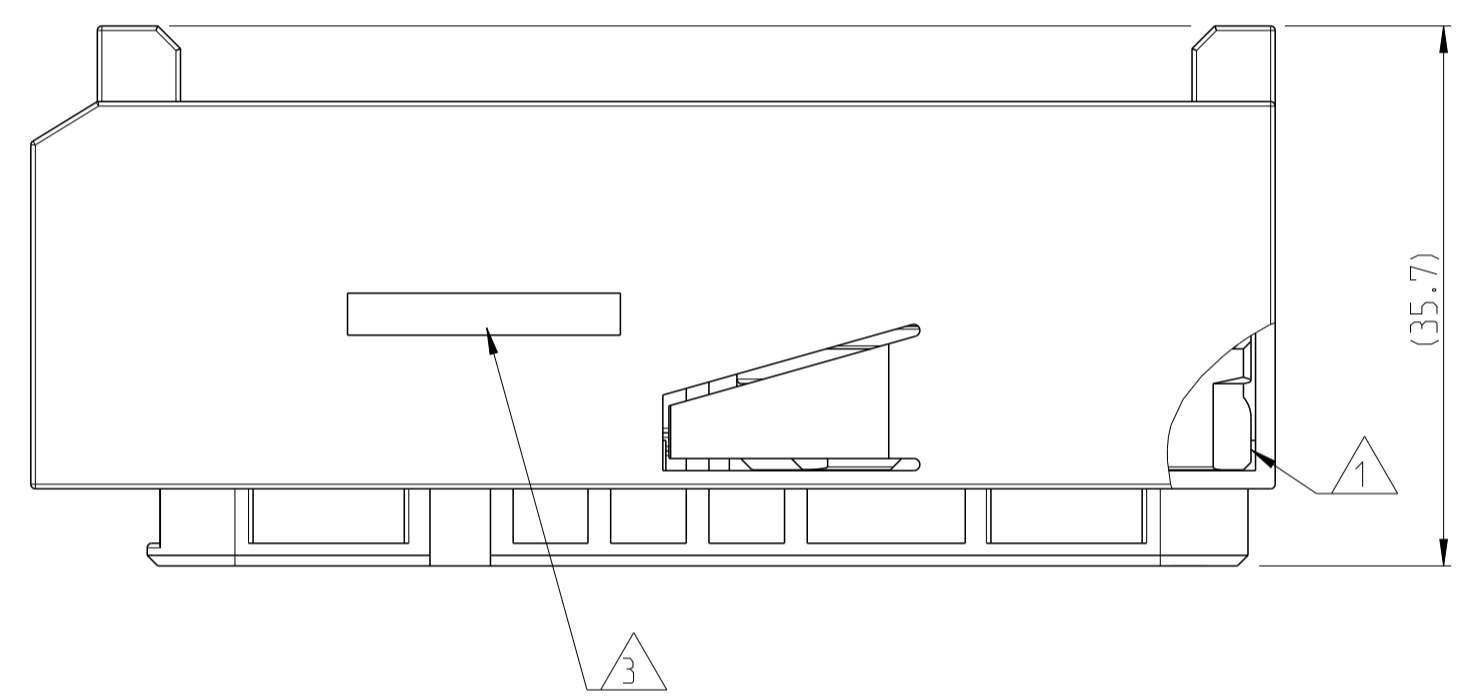
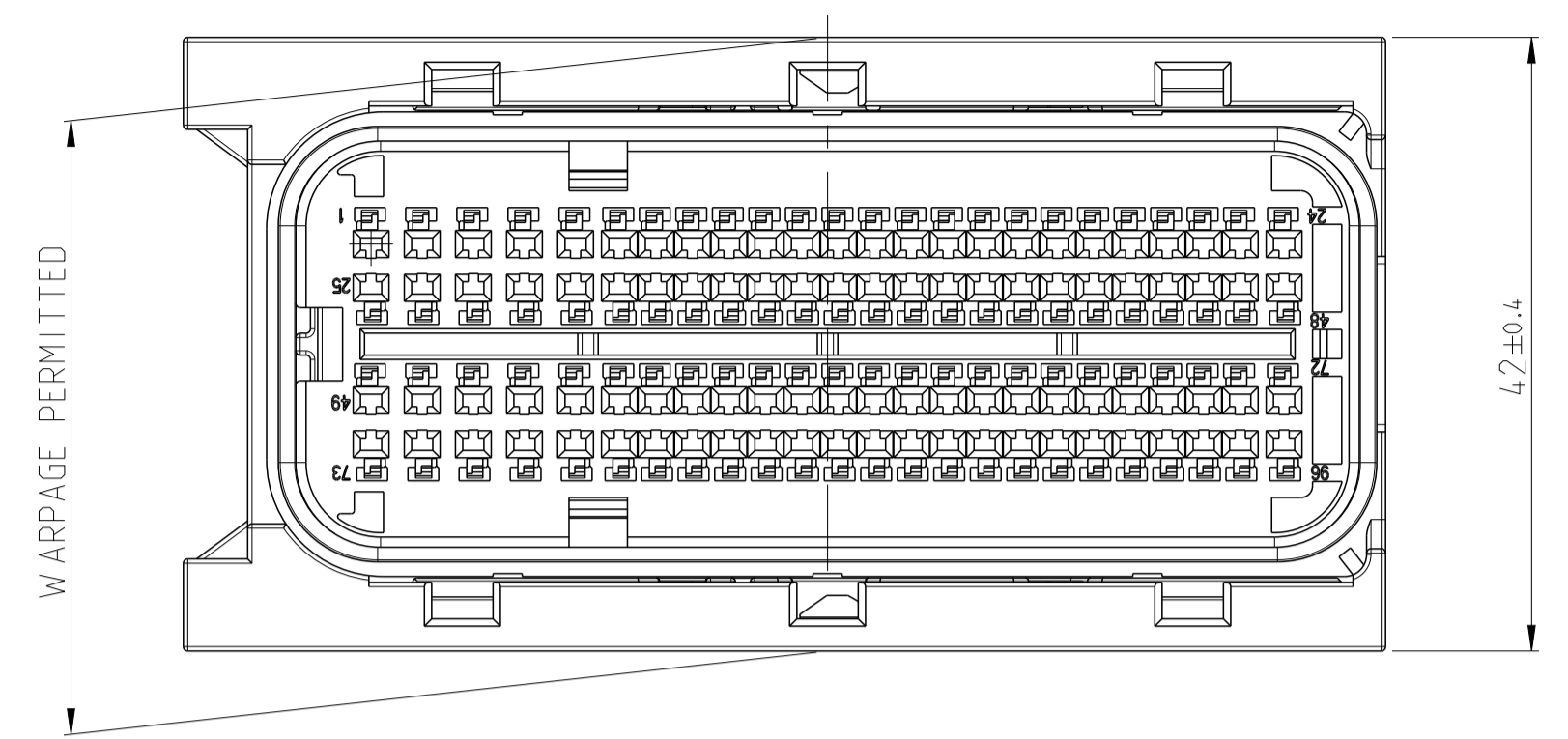


REVISIONS					
P.	LTN.	DESCRIPTION	DATE	DWN.	APVD.
A		INITIAL RELEASE	15JAN2016	CS	HR
A1		ECR-18-004651	05APR2018	KC	PT



NOTES

- 1 SUPPLY CONDITION: SLIDES IN END LOCKED POSITION
- A1 2 TE CONNECTIVITY TRADE MARK
- 3 TE CONNECTIVITY ASSEMBLY PART NUMBER
- 4 FOR CAVITIES 1 TO 5, 24 TO 29, 48 TO 53, 72 TO 77 AND 96: WIRE SIZE RANGE 0.5 - 1.5 MM<sup>2</sup> FLR PERMITTED. ISO-Ø 1.4 - 2.4 MM QUANTITY SEE WIRE HARNESS DRAWING.  
FOR ALL OTHER CAVITIES: WIRE SIZE RANGE 0.35 - 0.75 mm<sup>2</sup> FLR permitted. ISO-Ø 1.2 - 1.9 MM. QUANTITY SEE WIRE HARNESS DRAWING.
- FOR PERMISSIBLE CURRENT CARRYING CAPACITY OF THE SINGLE CONTACT SEE PRODUCT SPECIFICATION NO.: 108-18782.

\* 1394897 WAS SUPERSEDED BY 1670144

TERMINALS TE PN	FINISH	WIRE SIZE (mm <sup>2</sup> )	NOTES
0-1452503-3	SILVER PLATED	1.0 - 1.5	BLIND PLUG 0.75mm <sup>2</sup> PN 1-1452424-1 BROWN 1.5mm <sup>2</sup> PN 1-1452424-2 BLUE
0-1670144-3 *		0.5 - 0.75	
0-1534594-3		0.35	
0-1452503-2	GOLD PLATED	1.0 - 1.5	
0-1670144-2 *		0.5 - 0.75	
0-1534594-2	0.35		
0-1452503-1	PRE-TIN	1.0 - 1.5	
0-1670144-1 *		0.5 - 0.75	
0-1534594-1		0.35	

NOTE	FEATURE	TE Connectivity - No.
5	INTERFACE	114-18615
6	APPLICATION SPECIFICATION	114-18698-1
7	PRODUCT SPECIFICATION	108-94098-1
8	USEABLE COVERS	1452389-1 / 1452988-1
10	CONTACTS MCON 1.2 CB BY TE CONNECTIVITY. SEE CHART	SEE GROUP DRAWING c-1534326

TITLE	CODING	TE Connectivity ORDER-NO.	REV	QTY	TITLE	MATERIAL	COLOUR	ITEM
RECEPTACLE HOUSING, RECTANGULAR - 96-POS.	A	1-2294803-1	A	1	SLIDER RIGHT, 96-POS.	PA66-GF25	BLACK	5
				1	SLIDER LEFT, 96-POS.	PA66-GF25	BLACK	4
				1	PERIPHERAL SEAL, 96-POS.	SILICONE	WHITE	3
				1	CONTACT HOUSING, 96-POS.	PA66-GF35	BLACK	2
				1	HOUSING, 96-POS.	PA66-GF35	BLACK	1

THIS DRAWING IS A CONTROLLED DOCUMENT. DWN: C. SCHAAD 15JAN2016  
 CH: C. WEBER 15JAN2016  
 APVD: H. RIPPER 15JAN2016

**TE** TE Connectivity

NAME: RECEPTACLE HOUSING 96 POS

SIZE: A1 CAGE CODE: 00779 DRAWING NO: 2294803

WEIGHT: 53g

CUSTOMER DRAWING

SCALE: 2:1 SHEET 1 OF 1 REV: A1