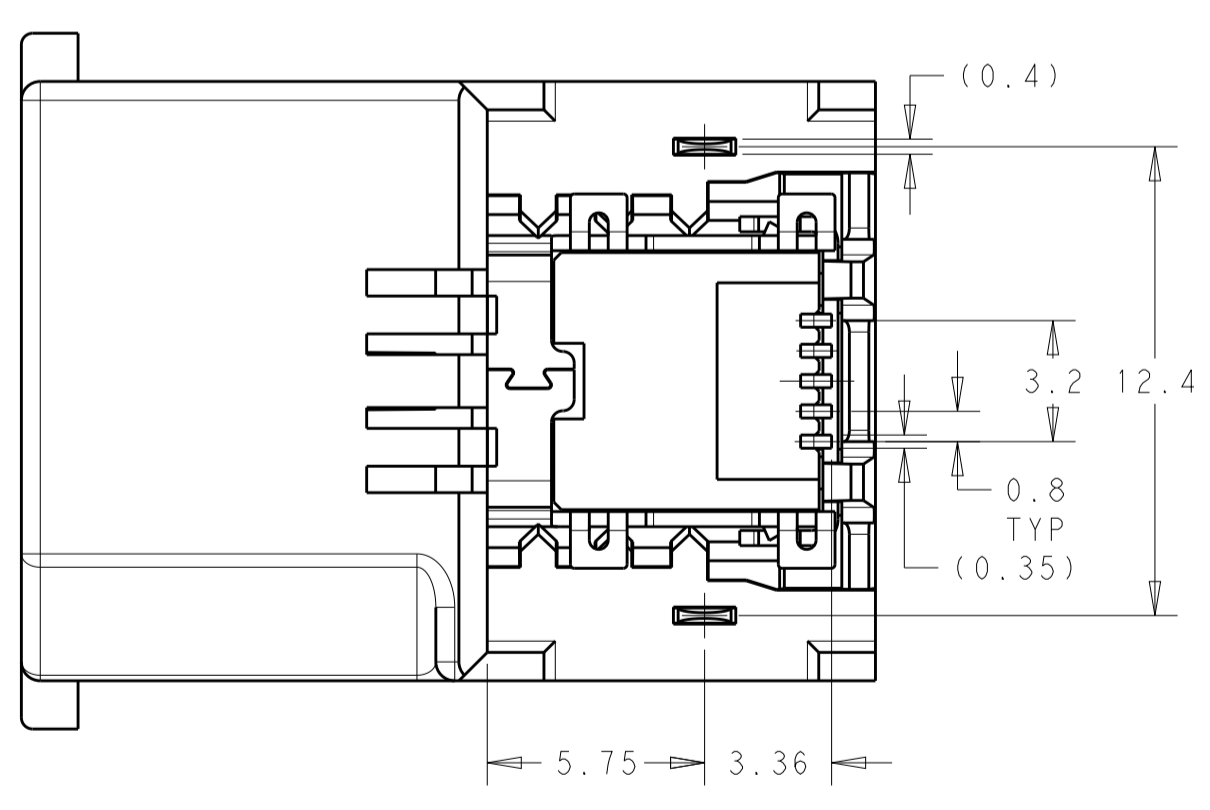
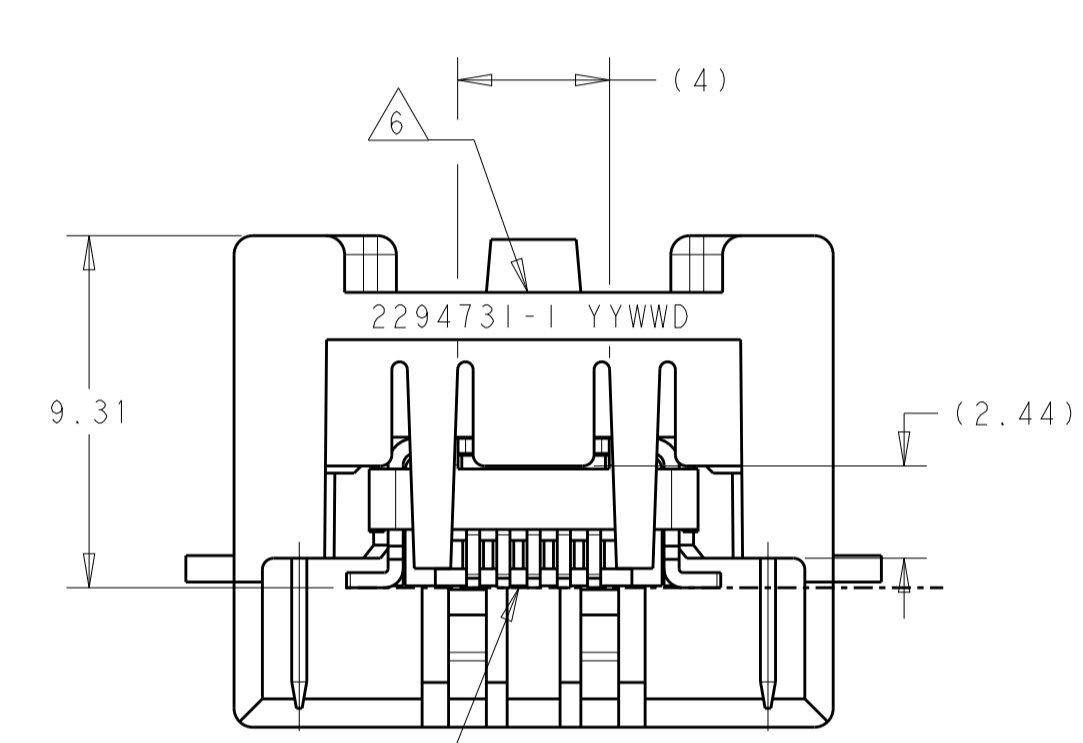
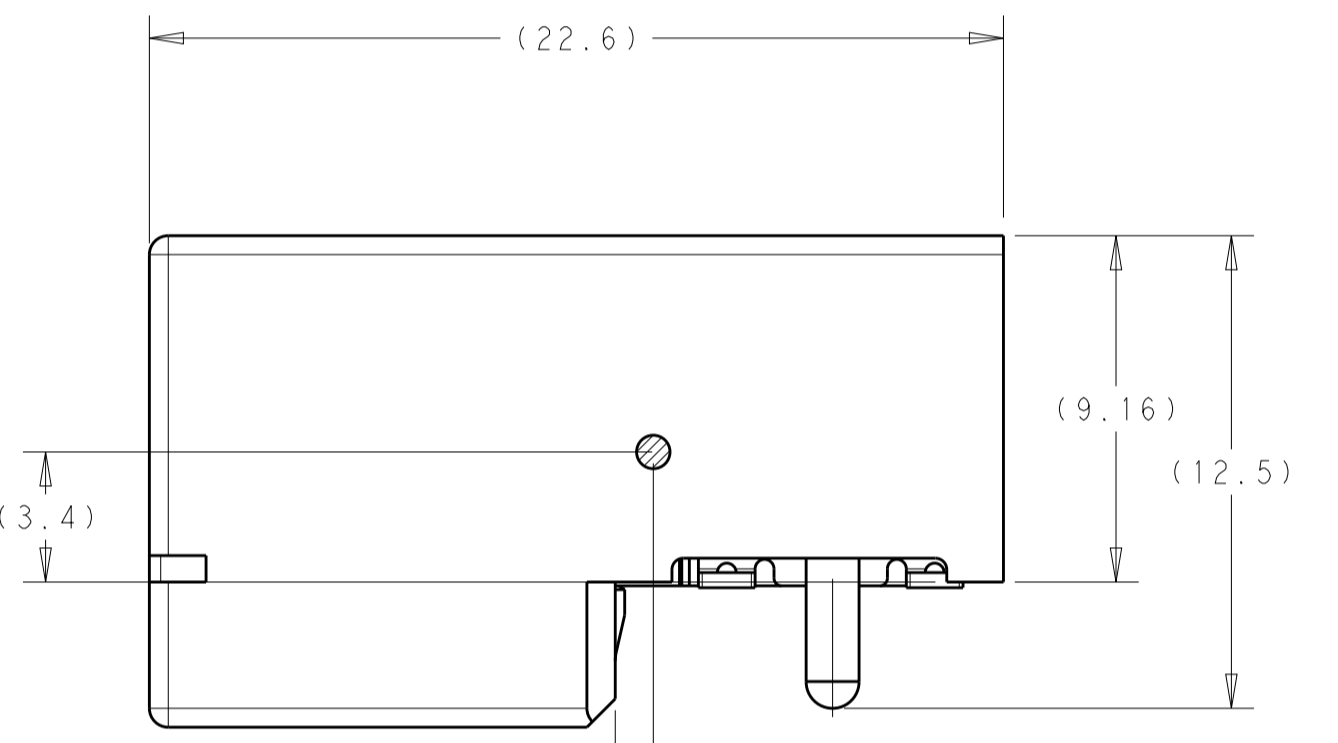
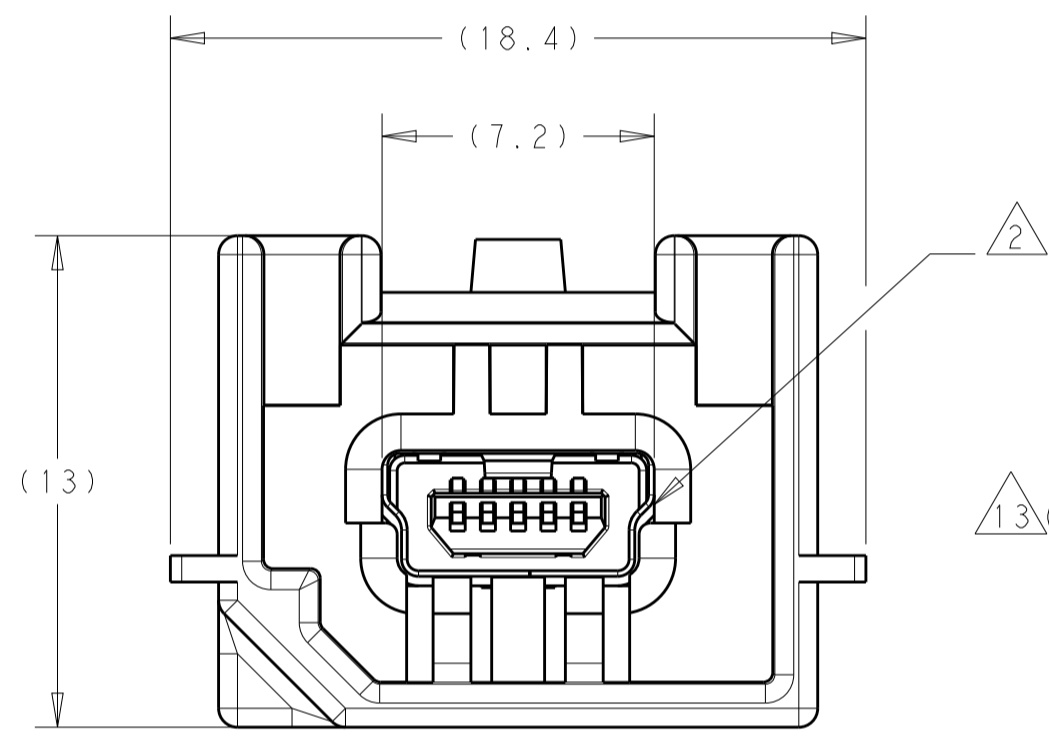
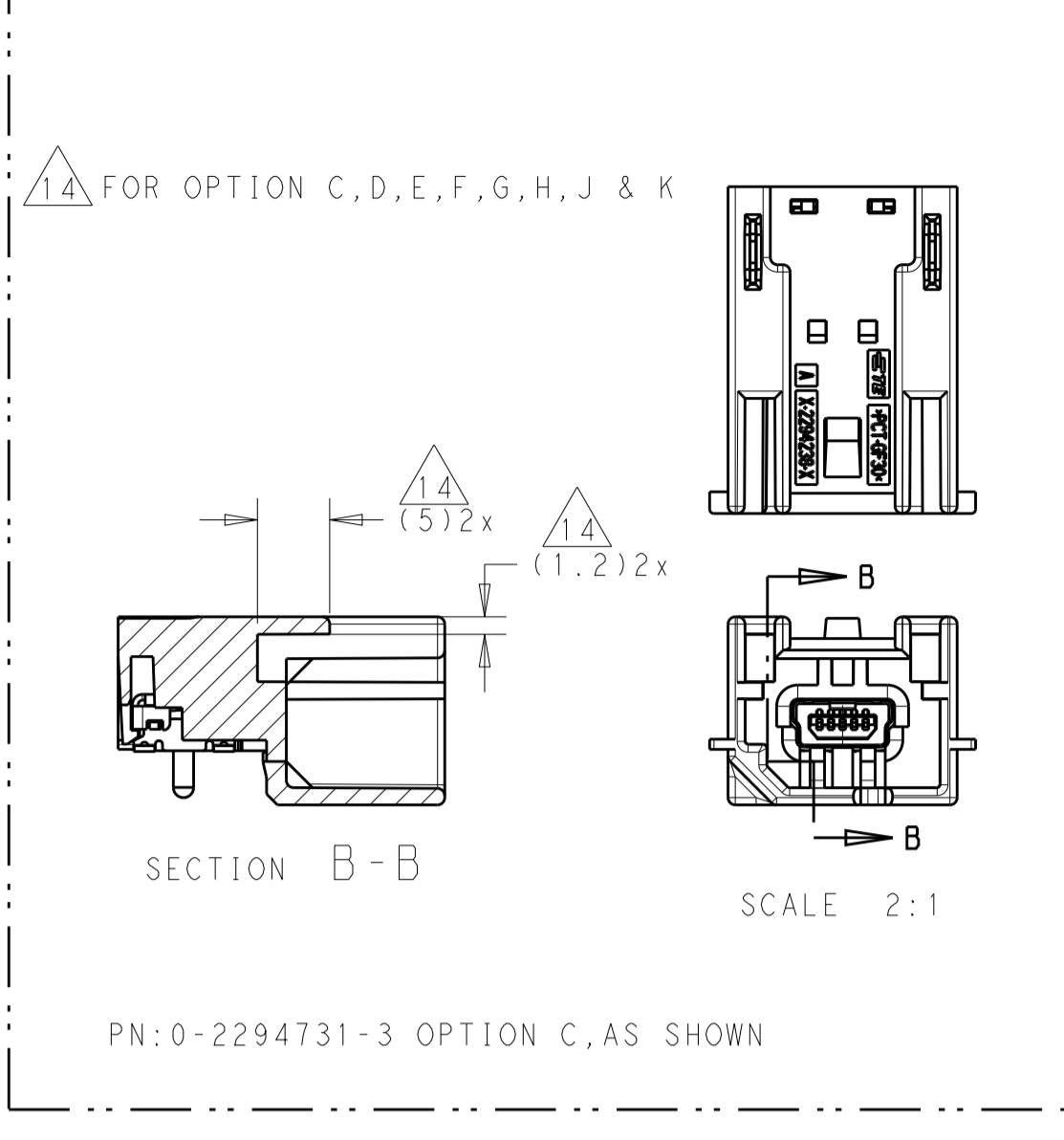
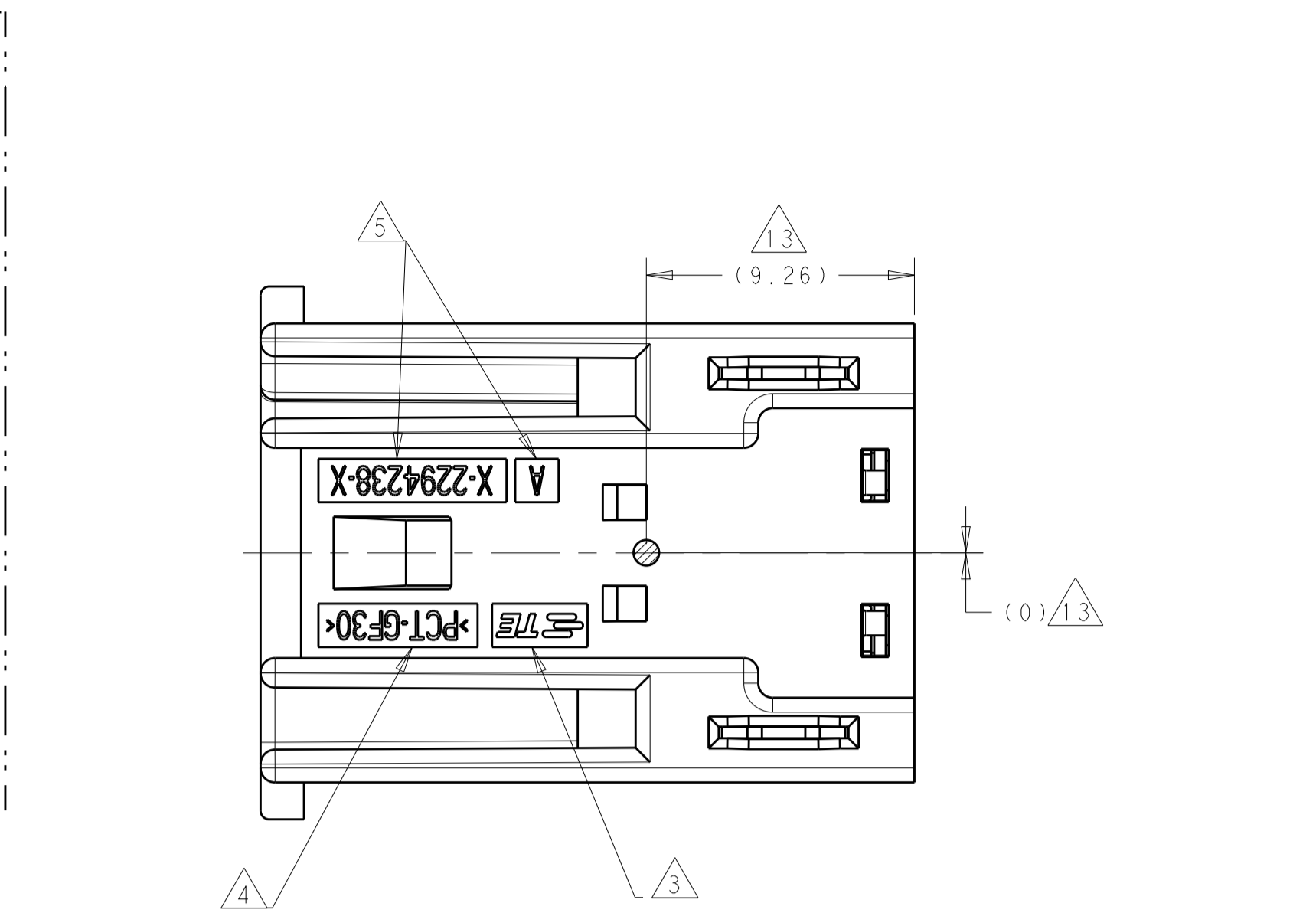
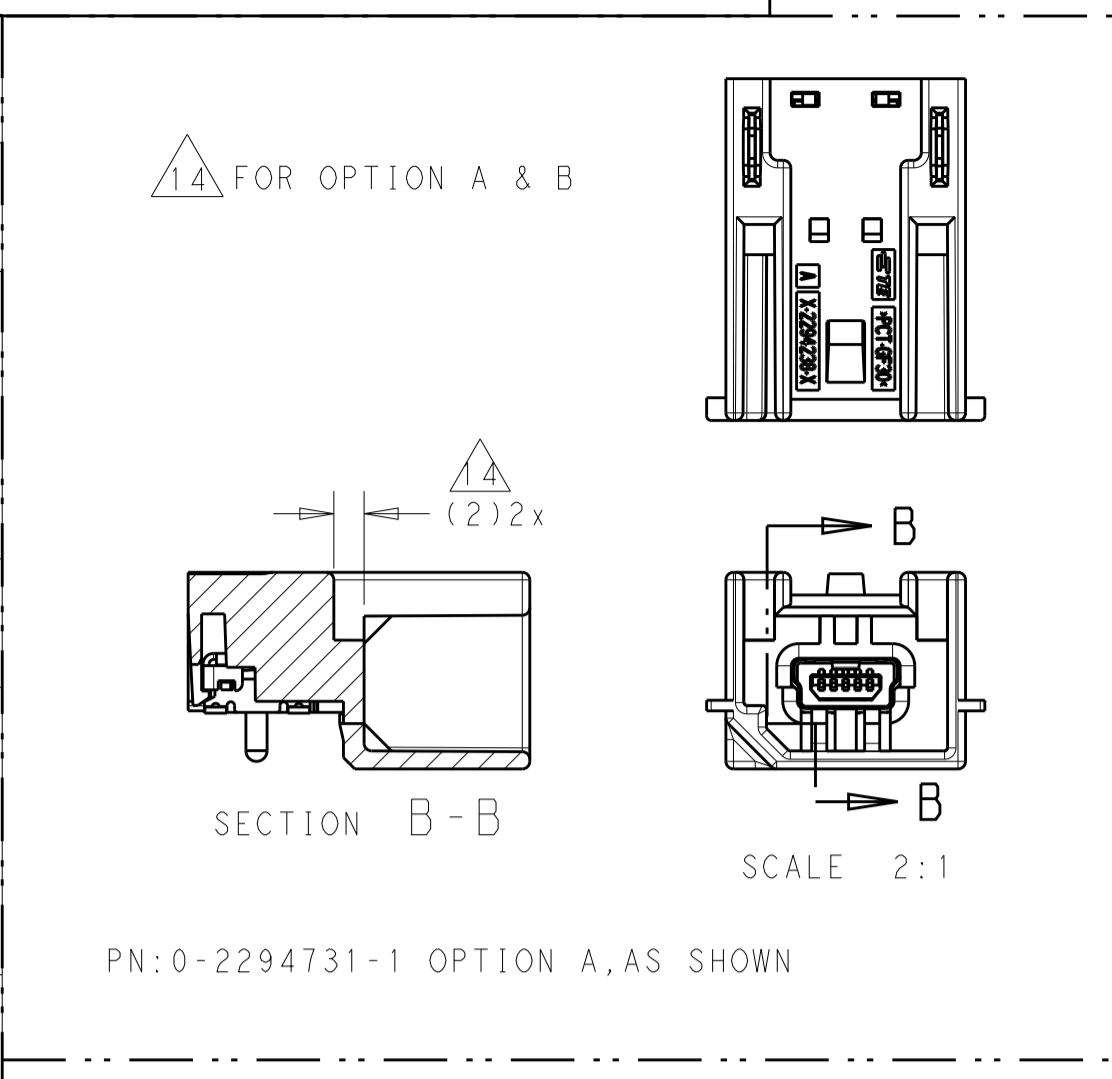


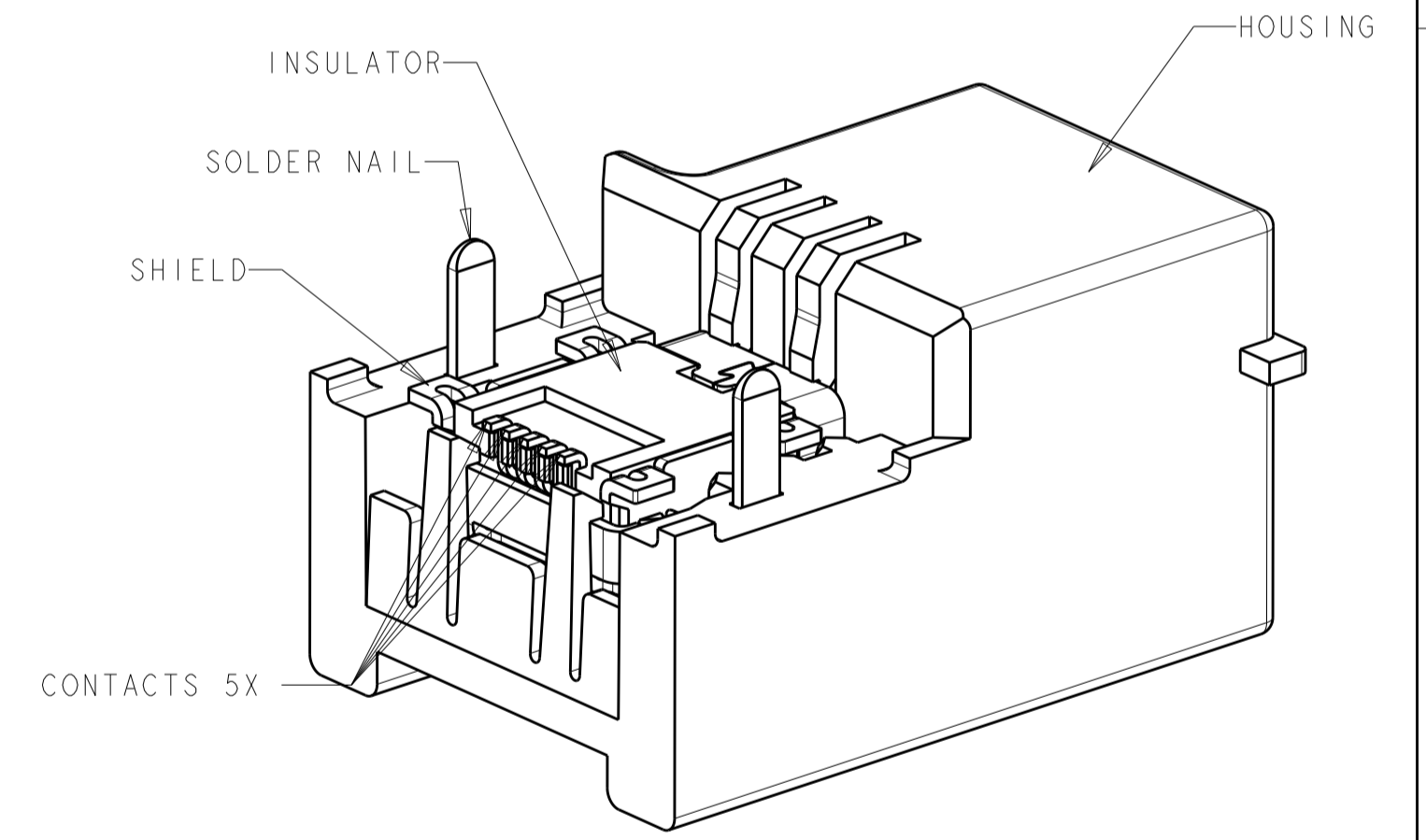
OPTIONS
ACC. TO USCAR30
SCALE 2:1

OPTION A	OPTION B (MIRROR IMAGE OF OPTION A)
OPTION C	OPTION D (MIRROR IMAGE OF OPTION C)
OPTION E	OPTION F (MIRROR IMAGE OF OPTION E)
OPTION G	OPTION H (MIRROR IMAGE OF OPTION G)
OPTION J	OPTION K (MIRROR IMAGE OF OPTION J)

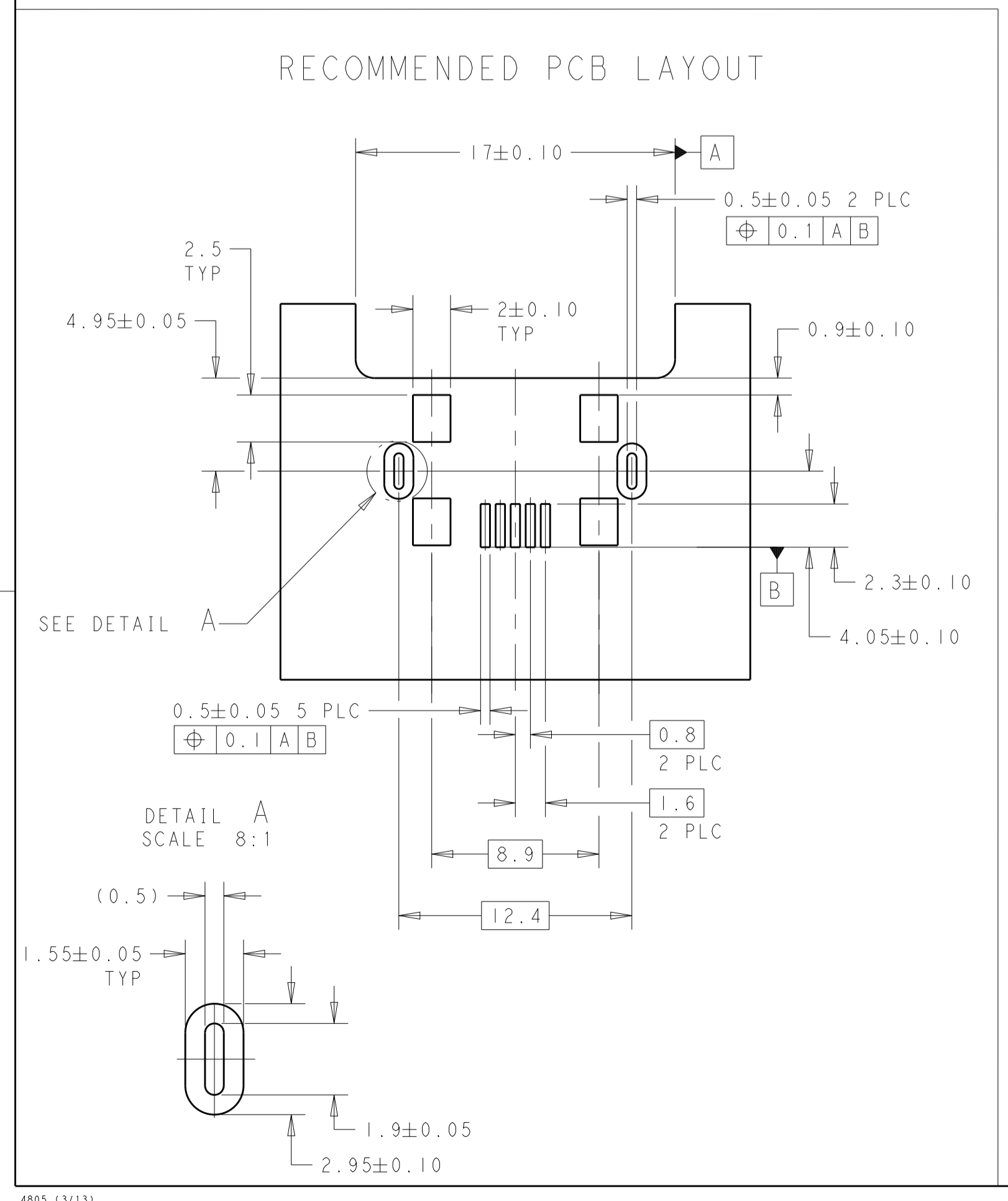


REVISIONS				
P.	LTN.	DESCRIPTION	DATE	OWN. APVD.
E	SEE ECR-16-009374		25AUG2016	JC JL

- PN: 0-2294731-1 OPTION A, AS SHOWN
- USB CONNECTOR SHROUD ACC. TO 999-U-USB-Z01
- TE-TRADEMARK
- MATERIAL MARKING OF SINGLE PART
- TE-SINGLE PART NO. AND REVISION
- TE-ASM NO. AND DATE CODE YYWD IN THIS AREA
- TEMPERATURE STABLE FOR REFLOW SOLDERING
- ELECTRICAL AND MECHANICAL REQUIREMENTS ACCORDING TO:
-USCAR30, FROM 2006/11/10
-USB 2.0, ECR#1, FROM 10/20/2000
- PACKAGING: TAPE AND REEL
- EOL - TESTED (CONTINUITY AND SHORT CIRCUIT)
- MATERIAL DESCRIPTION
CONTACTS: PHOSPHOR BRONZE
PLATING, PALLADIUM-NICKEL ON CONTACT AREA
MATTE-TIN ON SOLDER TAIL, WITH ENTIRE CONTACT UNDERPLATED NICKEL
INSULATOR: PA9T-GF33
SHIELD: PHOSPHOR BRONZE
PLATING, TIN OVER NICKEL
HOUSING: PCT-GF30
SOLDER NAIL: BRASS
PLATING, TIN OVER NICKEL
- PART HAS TO BE FREE OF MOLD RELEASE AGENTS OR DEFORMATIONS THAT MAY AFFECT THE FIT OR FUNCTION OF THE PART.
- CENTER OF GRAVITY
- CODING DIMENSIONS FOR CODINGS A,B,C,D,E,F,G,H,J & K



OPTION	HOUSING COLOR	PART NUMBER
G	GRAPHITE BLACK	1-2294731-7
K	BEIGE	1-2294731-0
J	HEATHER VIOLET	2294731-9
H	BLUE GRAY	2294731-8
G	CLARET VIOLET	2294731-7
F	CREAM	2294731-6
E	SIGNAL BLUE	2294731-5
D	YELLOW GREEN	2294731-4
C	NUT BROWN	2294731-3
B	DUSTY GRAY	2294731-2
A	GRAPHITE BLACK	2294731-1



THIS DRAWING IS A CONTROLLED DOCUMENT. OWN: SRINIVAS RATHOD 29 JUL 2015
CHK: R. DEMARCHIS 19 AUG 2015
APVD: R. DEMARCHIS 20 AUG 2015

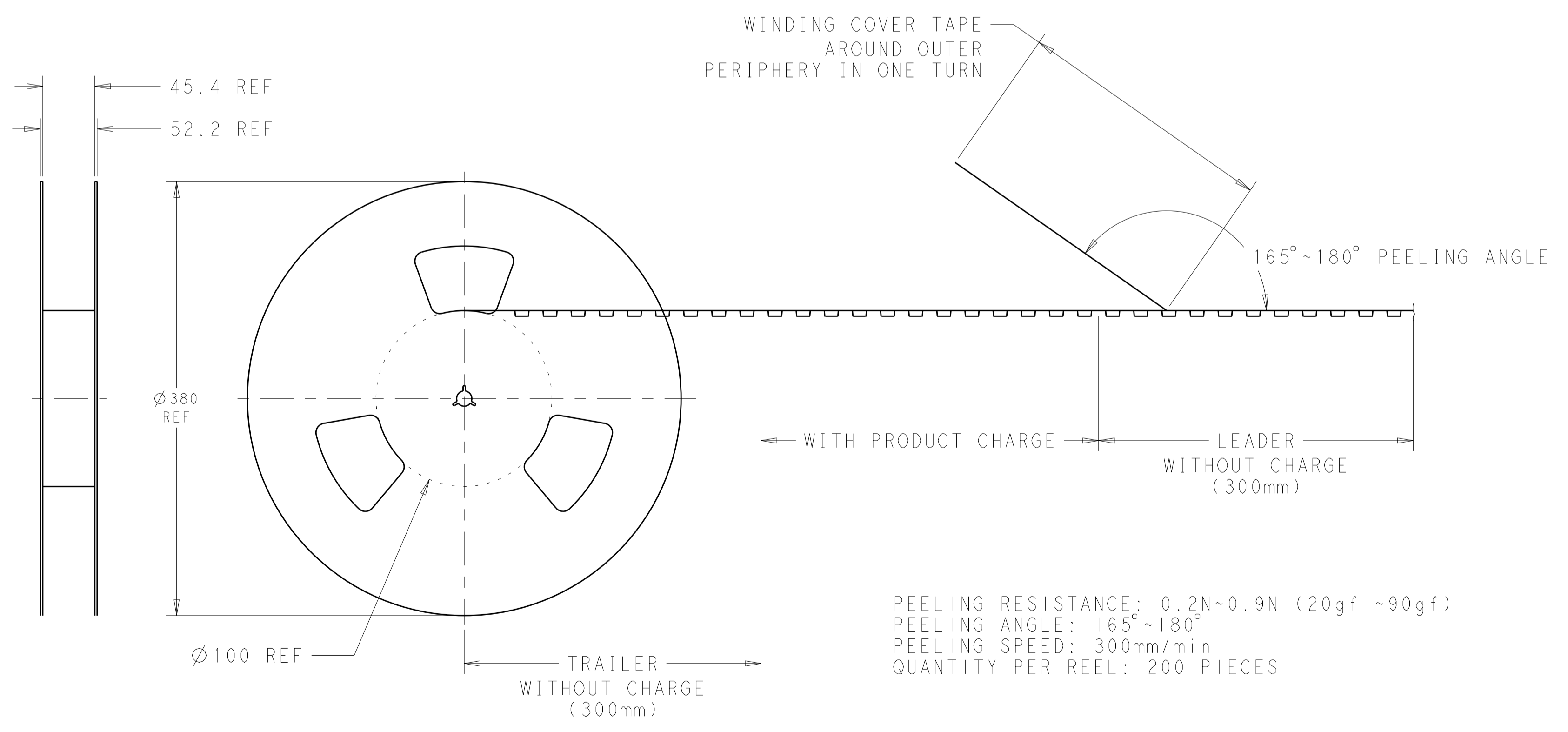
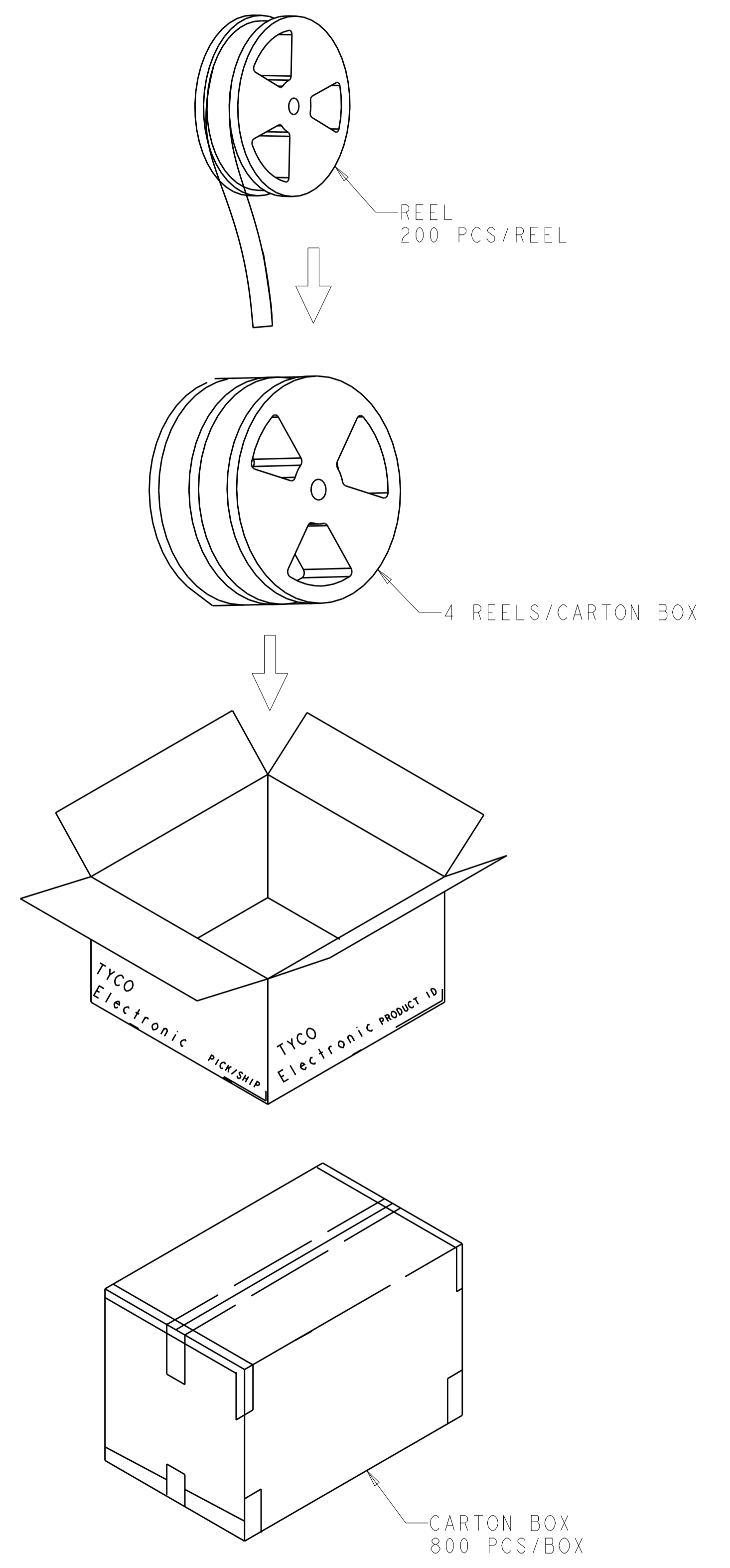
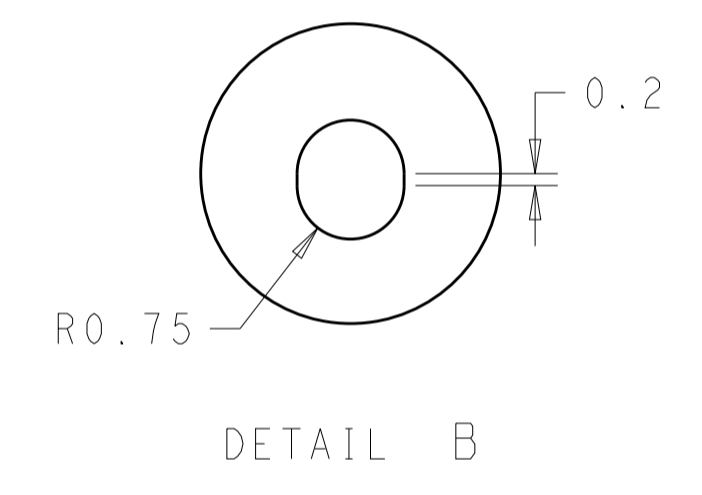
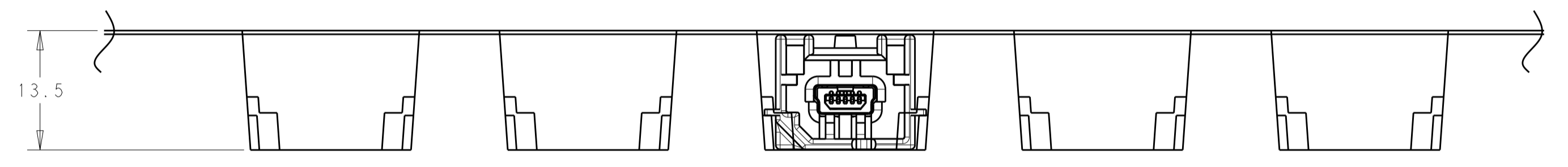
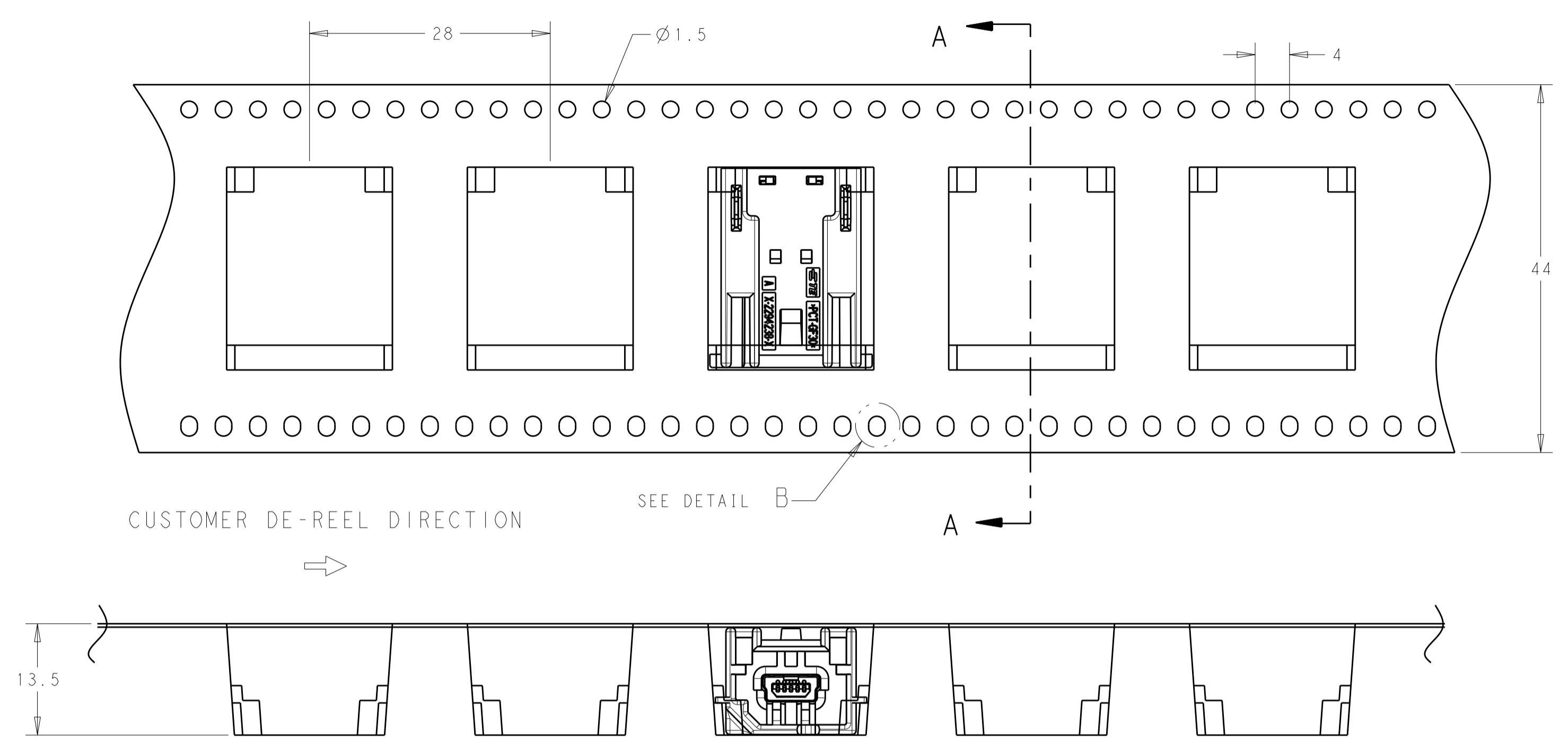
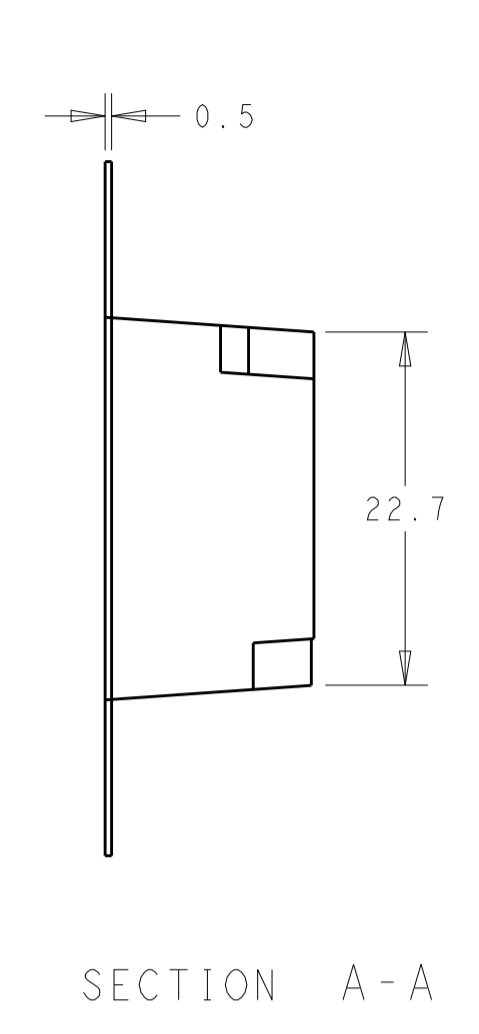
STE TE Connectivity

NAME: USCAR30 MINI USB-B HEADER
90 DEG, SMT

SIZE: A1 CAGE CODE: DRAWING NO: C=2294731

SCALE: 2:1 SHEET 1 OF 2 REV E

REVISIONS				
P.	LTN	DESCRIPTION	DATE	APVD
-	-	SEE SHEET 1	-	-



PEELING RESISTANCE: 0.2N~0.9N (20gf ~90gf)
 PEELING ANGLE: 165°~180°
 PEELING SPEED: 300mm/min
 QUANTITY PER REEL: 200 PIECES

THIS DRAWING IS A CONTROLLED DOCUMENT.		OWN: SRINIVAS BATHOD 29 JUL 2015	TE Connectivity
		CHK: R. DEMARCHIS 19 AUG 2015	
DIMENSIONS: mm		APVD: R. DEMARCHIS 20 AUG 2015	NAME: USCAR30 MINI USB-B HEADER 90 DEG, SMT
TOLERANCES UNLESS OTHERWISE SPECIFIED:		PRODUCT SPEC	SIZE: A1
0 PLC ±		APPLICATION SPEC	CAGE CODE: -
1 PLC ±		WEIGHT	DRAWING NO: C=2294731
2 PLC ±		CUSTOMER DRAWING	RESTRICTED TO: -
3 PLC ±			SCALE: 2:1
4 PLC ±			SHEET: 2 OF 2
ANGLES ±			REV: E
FINISH			