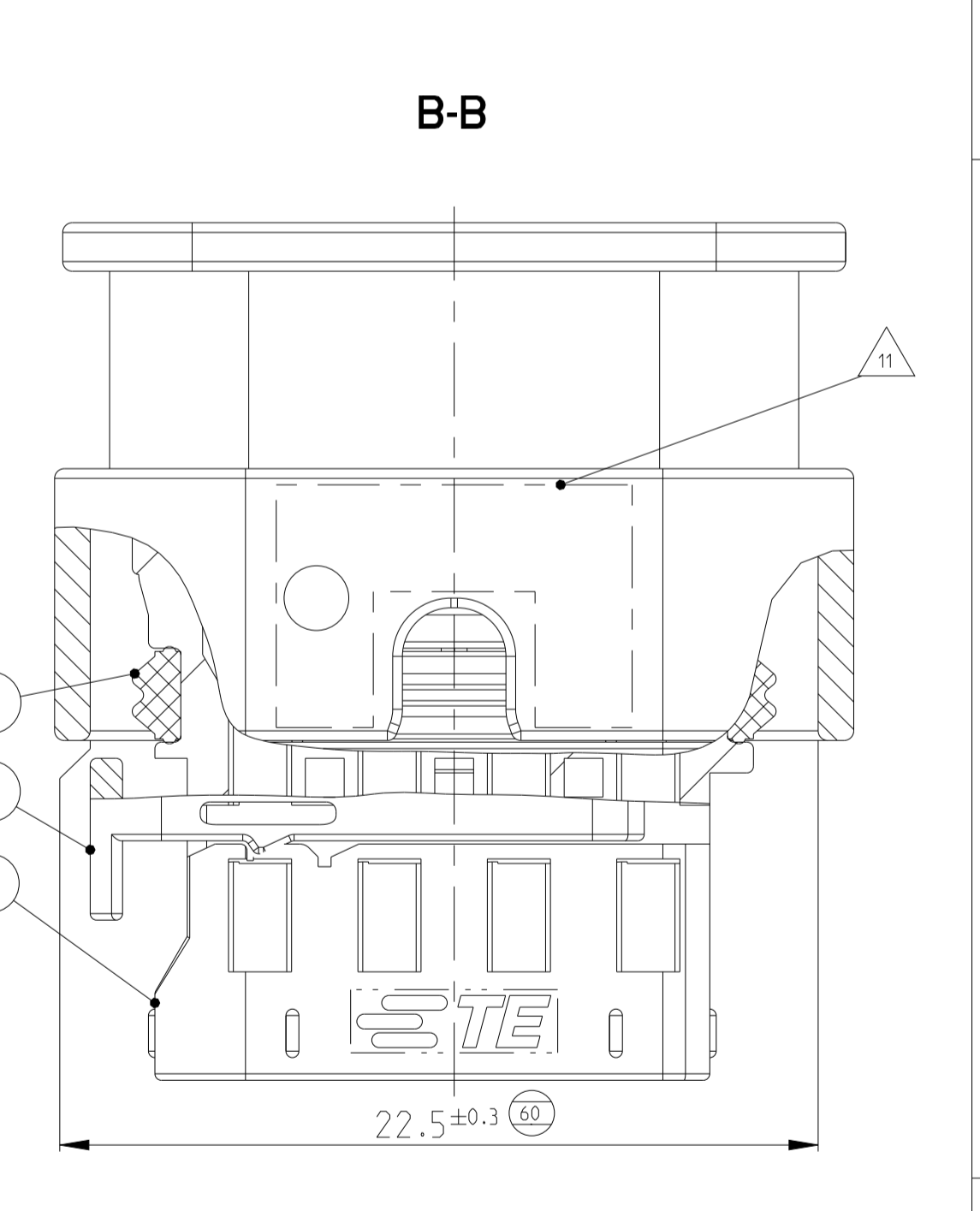
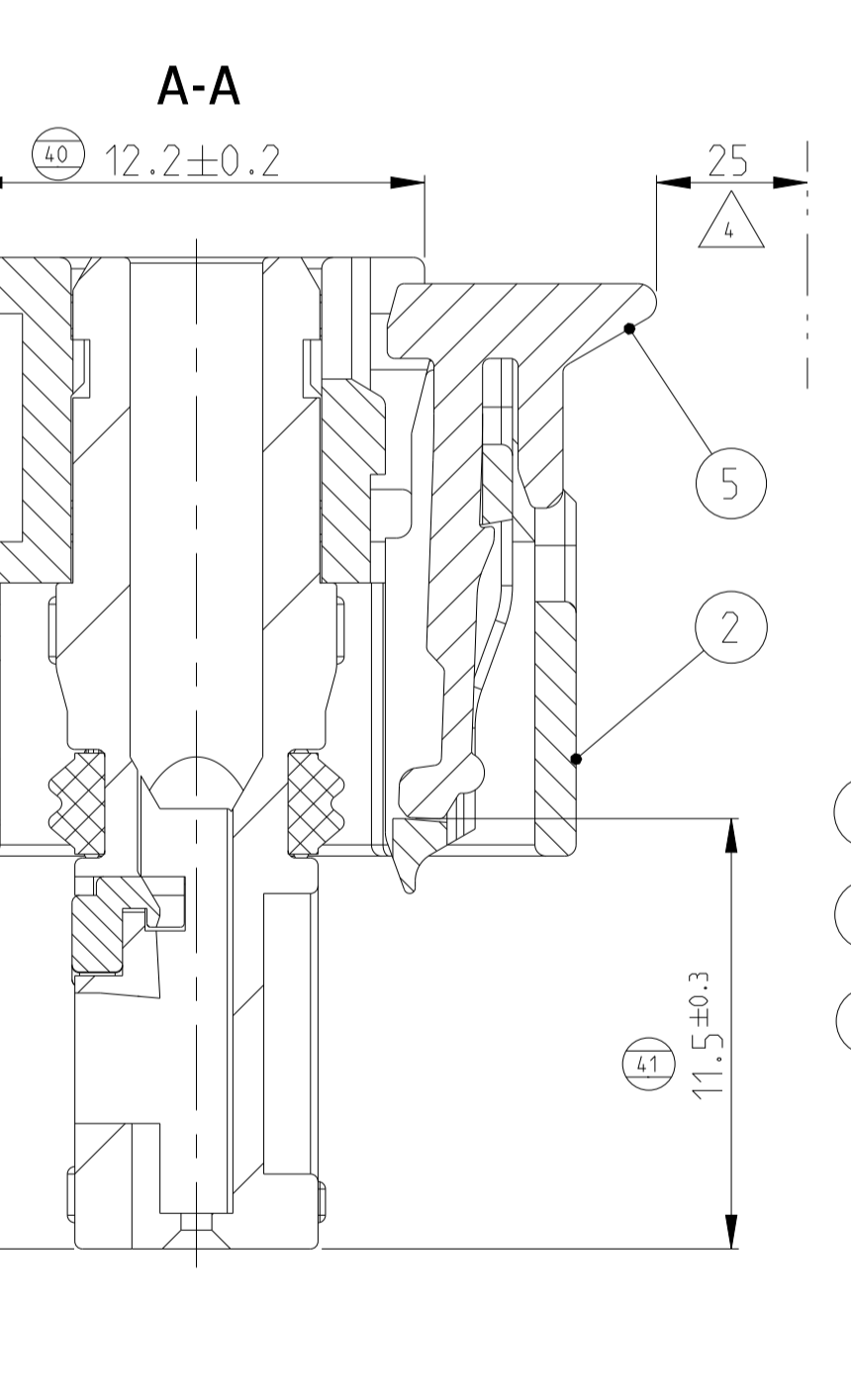
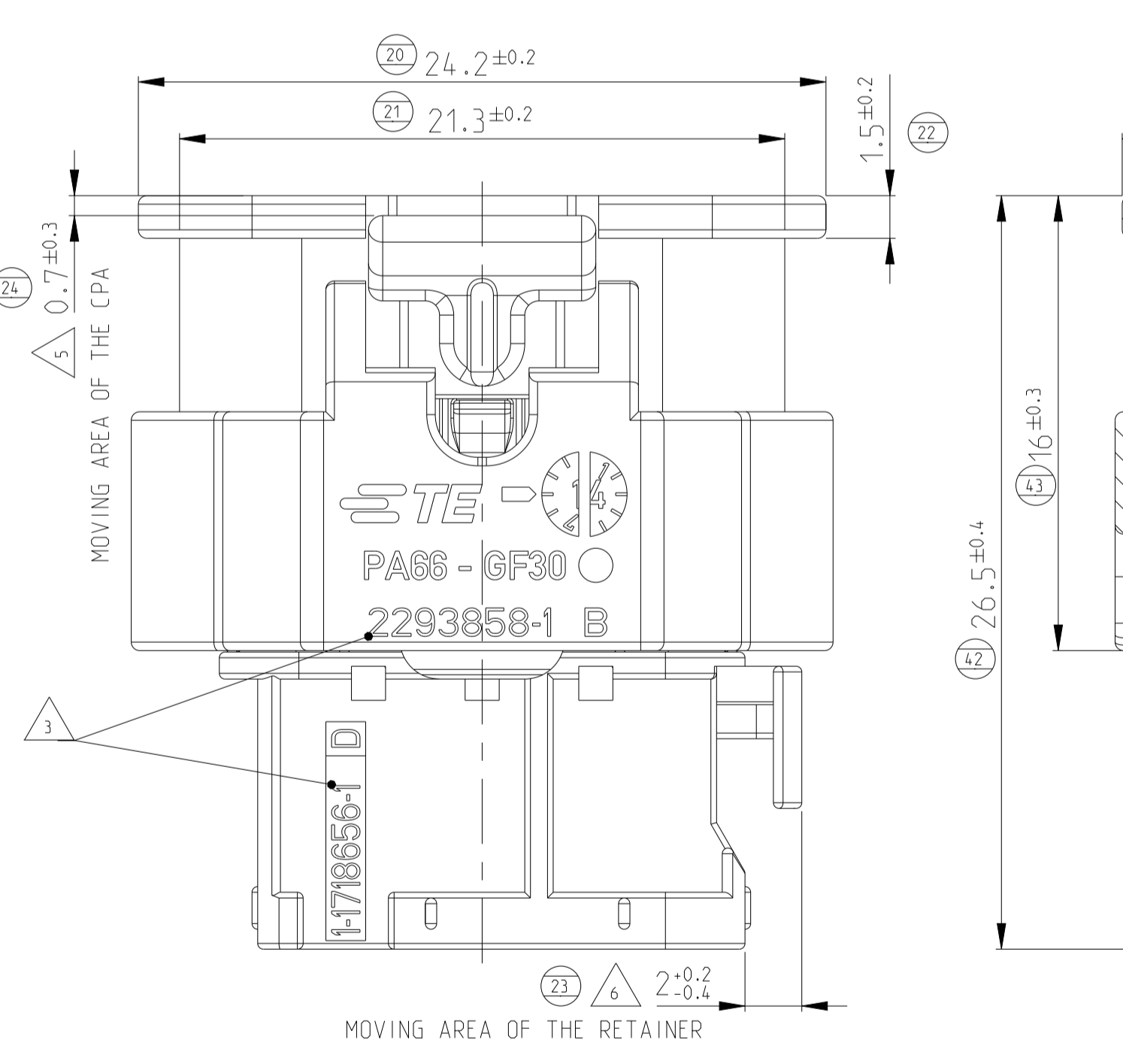
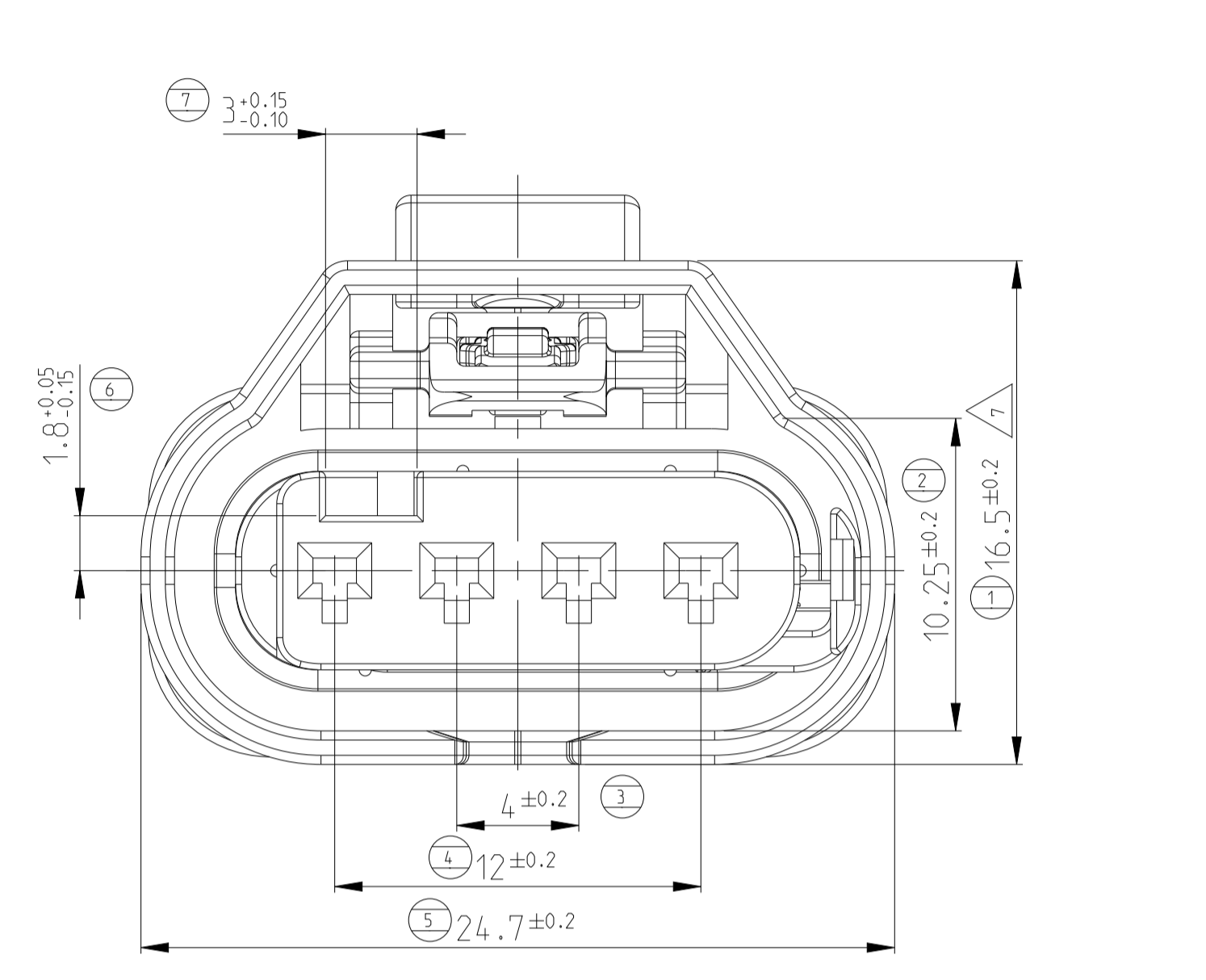
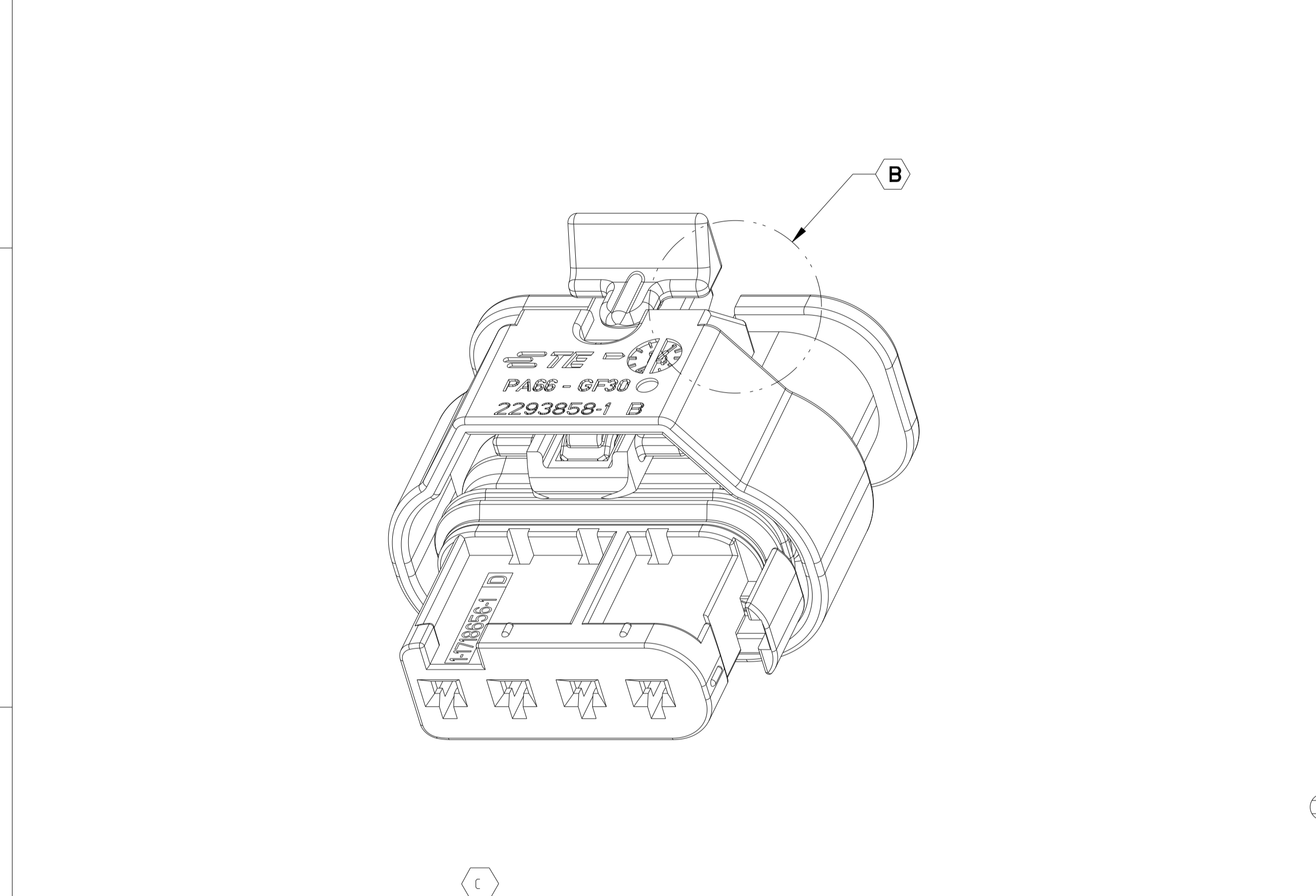


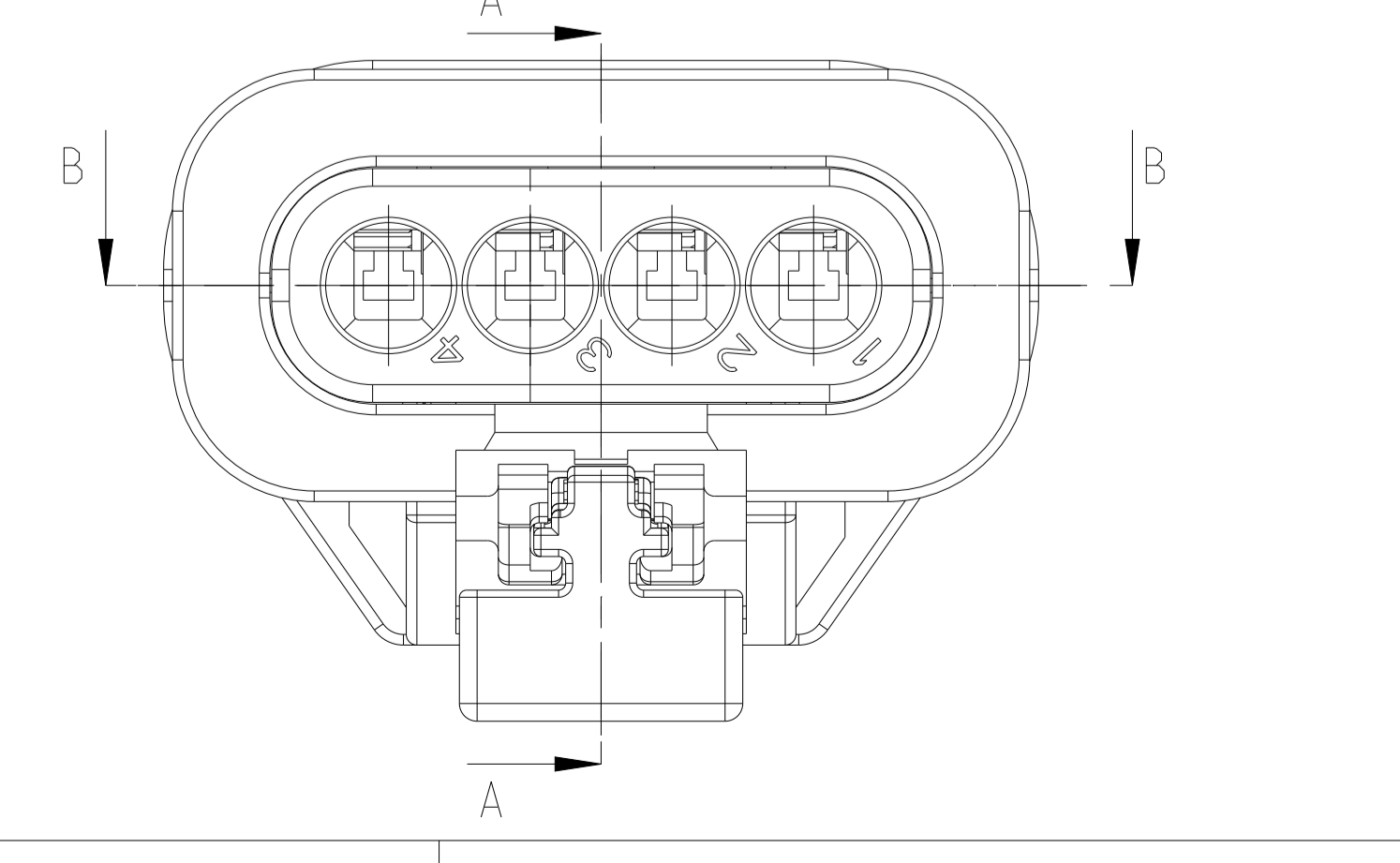
REVISIONS				
P	LTN	DESCRIPTION	DATE	DMN APVD
B		OUT HSG UPDATED WITH CUTOUT	11DEC2017	SZn LSz
		NEW VERSION ADDED 3-...-1	11DEC2017	SZn LSz
B1		NEW VERSION ADDED 3-...-5	19APR2018	SZn LSz
C		SEAL MATERIAL CHANGE	27JUL2022	SZn LSz

- 1 USABLE CONTACTS MCON 1.2
SEE TE Connectivity -NO. 1452674. VERSION SINGLE WIRE SEAL
- 2 MAX. WIRE SIZE RANGE 1.0 mm² FLR PERMITTED
FOR CAVITY-Ø 3.55MM
QUANTITY SEE WIRE HARNESS DRAWING
FOR PERMISSIBLE CURRENT CARRYING CAPACITY OF THE SINGLE CONTACT
SEE PRODUCT SPECIFICATION NO.108-18782
- 3 SUPPLIER-MARK
- 4 SPACE OF ACTIVITY
- 5 SUPPLY CONDITION: CPA IN PRELOCKED POSITION
- 6 SUPPLY CONDITION: RETAINER IN PRELOCKED POSITION
- 7 WARPAGE PERMITTED TO MAX. -0.5mm
- 8 TE Connectivity ORDER-NO.
- 9 ACCORDING TO INTERFACE DRAWING SEE TE-NO. 114-18679-3
- 10 VERSION WITH 180° TURNED INNER HSG.
- 11 AREA FOR PRINT
- 12 VERSION WITHOUT CPA
- 13 ASSEMBLY LINE SIGMENT IDENTIFICATION
- 14 PRODUCTION DATE CODE (DDYY)

CODING A AS SHOWN



TE-ORDER-NO.	COD	DESCRIPTION	REV	QTY	DESCRIPTION	MATERIAL	SURFACE/COLOR	ITEM
3-2294256-5	C	4pos MCON 1.2 - LL Conenctor. Sealed	C	1	CPA, MCON 1.2	PBT GF33	RED	5
				1	4pos. MCON 1.2 - Seal	SILICONE RUBBER	GREEN	4
				1	4pos. MCON 1.2 - Retainer	PA66-GF15	VIOLETT - SIMILAR TO RAL 4006	3
				1	4pos. MCON 1.2 Protec. Cover	PA66-GF30	BLACK - SIMILAR TO RAL 9011	2
2-2294256-5	B	4pos MCON 1.2 - LL Conenctor. Sealed	C	1	4pos. MOCN 1.2 - Rec. Housing	PA66-GF30	BLUE - SIMILAR TO RAL 5012	1
				1	CPA, MCON 1.2	PBT GF33	RED	5
				1	4pos. MCON 1.2 - Seal	SILICONE RUBBER	GREEN	4
				1	4pos. MCON 1.2 - Retainer	PA66-GF15	VIOLETT - SIMILAR TO RAL 4006	3
1-2294256-5	A	4pos MCON 1.2 - LL Conenctor. Sealed	C	1	4pos. MCON 1.2 Protec. Cover	PA66-GF30	BLACK - SIMILAR TO RAL 9011	2
				1	4pos. MOCN 1.2 - Rec. Housing	PA66-GF30	BLACK - SIMILAR TO RAL 9011	1
				1	4pos. MCON 1.2 - Seal	SILICONE RUBBER	GREEN	4
				1	4pos. MCON 1.2 - Retainer	PA66-GF15	VIOLETT - SIMILAR TO RAL 4006	3
3-2294256-1	C	4pos MCON 1.2 - LL Conenctor. Sealed	C	1	4pos. MCON 1.2 Protec. Cover	PA66-GF30	BLACK - SIMILAR TO RAL 9011	2
				1	4pos. MOCN 1.2 - Rec. Housing	PA66-GF30	BLUE - SIMILAR TO RAL 5012	1
				1	4pos. MCON 1.2 - Seal	SILICONE RUBBER	GREEN	4
				1	4pos. MCON 1.2 - Retainer	PA66-GF15	VIOLETT - SIMILAR TO RAL 4006	3
2-2294256-1	B	4pos MCON 1.2 - LL Conenctor. Sealed	C	1	4pos. MOCN 1.2 - Rec. Housing	PA66-GF30	NATURE	1
				1	4pos. MCON 1.2 - Seal	SILICONE RUBBER	GREEN	4
				1	4pos. MCON 1.2 - Retainer	PA66-GF15	VIOLETT - SIMILAR TO RAL 4006	3
				1	4pos. MCON 1.2 Protec. Cover	PA66-GF30	BLACK - SIMILAR TO RAL 9011	2
1-2294256-1	A	4pos MCON 1.2 - LL Conenctor. Sealed	C	1	4pos. MOCN 1.2 - Rec. Housing	PA66-GF30	BLACK - SIMILAR TO RAL 9011	1
				1	4pos. MCON 1.2 - Seal	SILICONE RUBBER	GREEN	4
				1	4pos. MCON 1.2 - Retainer	PA66-GF15	VIOLETT - SIMILAR TO RAL 4006	3
				1	4pos. MCON 1.2 Protec. Cover	PA66-GF30	BLACK - SIMILAR TO RAL 9011	2



TOLERANCES UNLESS OTHERWISE SPECIFIED ACC. TO DIN 16901-140@CENTRIC TO NOMINAL DIMENSION. EDITION 1982-11 SHALL APPLY. Feinmaßstabnormen nach DIN 16901-140@. Es gilt die Ausgabe 1982-11.

PRODUCT CHARACTERISTICS ACC. QMP EMEA_12
BESONDERE MERKMALE NACH QMP EMEA_12

THIS DRAWING IS A CONTROLLED DOCUMENT.

DMN	Sz.Nemes	13JUL2015
CHK	G.BENCUC	16JUL2015
APVD	G.BENCUC	16JUL2015

NAME: 4pos. MCON 1.2 - LL Connector. Sealed

SIZE: A1 CAGE CODE: 00779 DRAWING NO: C=2294256

RESTRICTED TO: -

CUSTOMER DRAWING

SCALE: 5:1 SHEET: 1 OF 1 REV: C