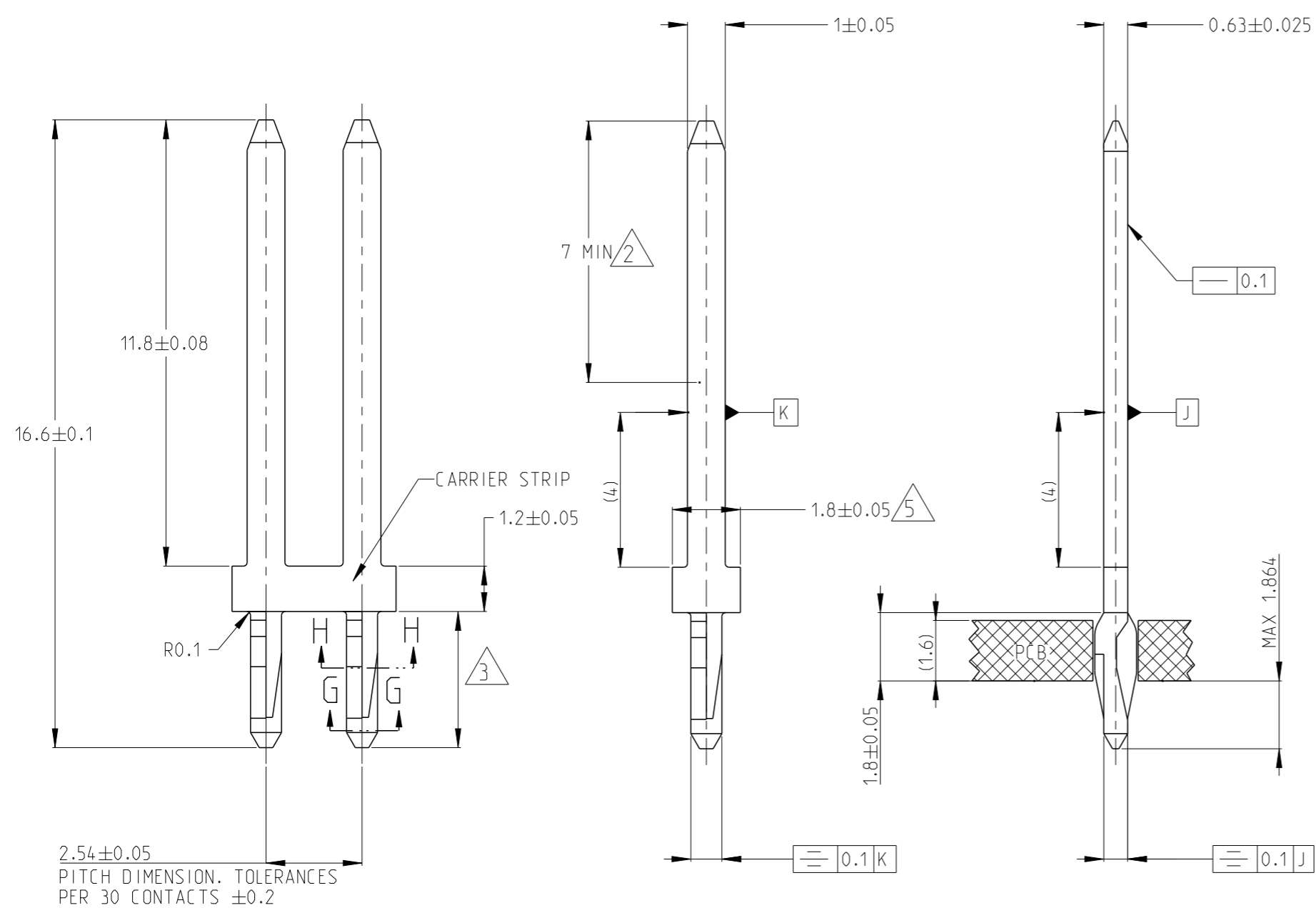
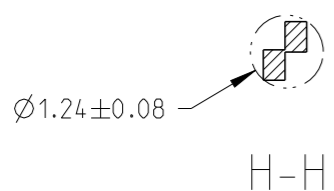
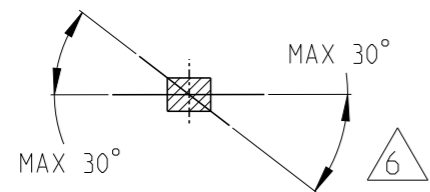
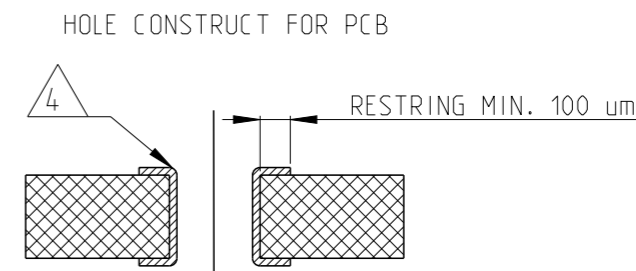


REVISIONS

P	LTR	DESCRIPTION	DATE	DWN	APVD
	A	FIRST RELEASE	-	Y.S	-



- NOTES:
1. MATERIAL: CuNiSi, R580S
  2. 1.0 to 2.5  $\mu$ m Sn OVER 1.3 to 2.2  $\mu$ m Ni
  3. 0.8 to 1.8  $\mu$ m Sn OVER 1.3 to 2.2  $\mu$ m Ni
  4. PRESS-IN AREA FOR  $1.6 \pm 0.14$ mm PCB
  5. CUTTING BEFORE INSERTION
  6. DISTORTION OF ACTION PIN TIP MAX.  $30^\circ$ .
7. PLATED THROUGH HOLE DIMENSION:  
 DRILLED HOLE:  $\phi 1.15 \pm 0.025$   
 FINISHED HOLE:  $\phi 1.07 + 0.045 / - 0.055$   
 COPPER COATING: 25-50  $\mu$ m  
 TIN COATING: 0.5-1.5  $\mu$ m



THIS DRAWING IS A CONTROLLED DOCUMENT.

DIMENSIONS:	TOLERANCES UNLESS OTHERWISE SPECIFIED:
mm	
0 PLC	$\pm 0.15$
1 PLC	$\pm 0.15$
2 PLC	$\pm 0.1$
3 PLC	$\pm$
4 PLC	$\pm$
ANGLES	$\pm 2^\circ$
MATERIAL	FINISH
CuNiSi	

DWN	Y.SUN	21AUG2015
CHK	E. JIANG	12OCT2015
APVD	L. YIN	12OCT2015
PRODUCT SPEC		
APPLICATION SPEC		
WEIGHT		
CUSTOMER DRAWING		

FINISH	MATERIAL	PART NO
2 3	CuNiSi	2293358-2
<b>STE</b> TE Connectivity		
ACTION PIN FOR 1mm HOLE		
SIZE	CAGE CODE	DRAWING NO
A3		C-2293358
SCALE	SHEET	REV
10:1	1 OF 1	A