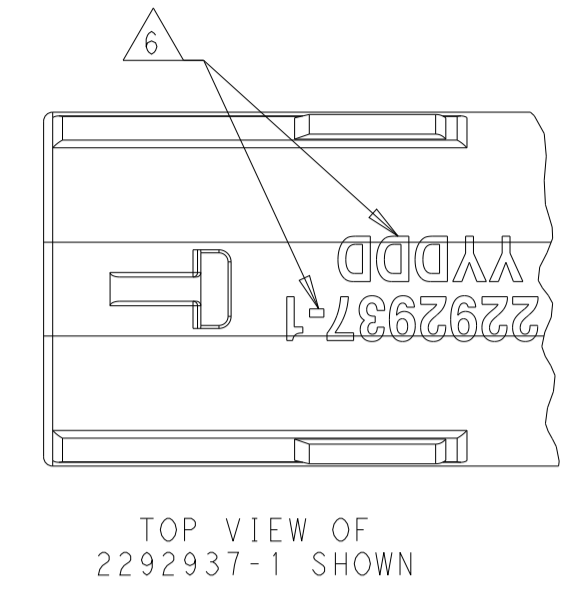
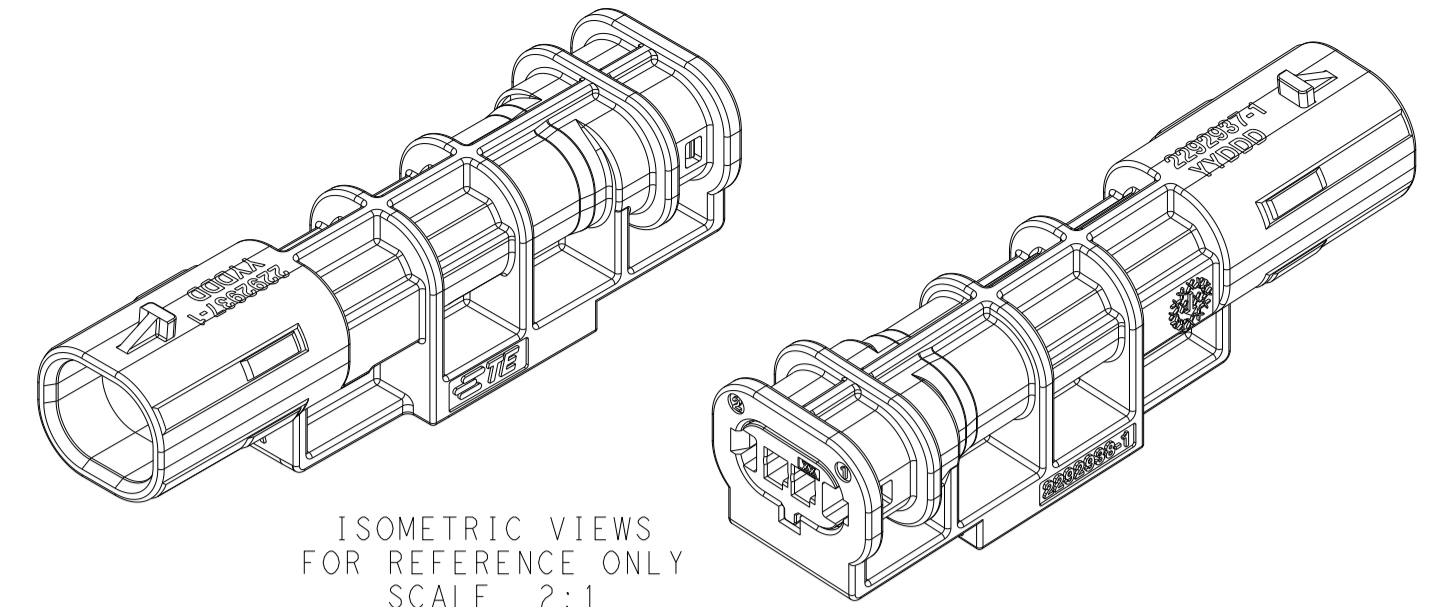
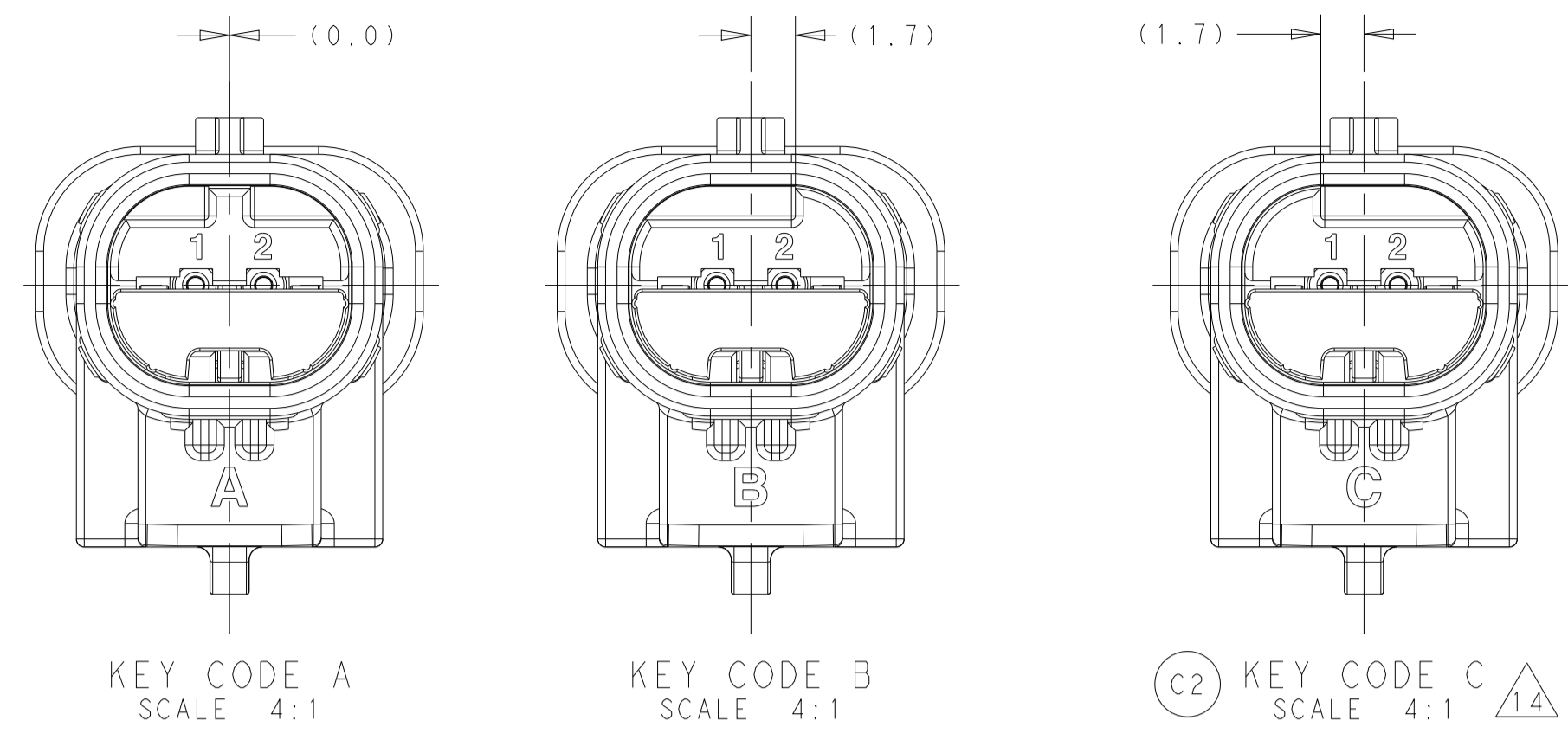
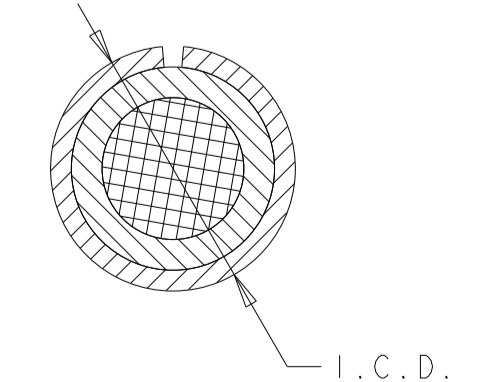
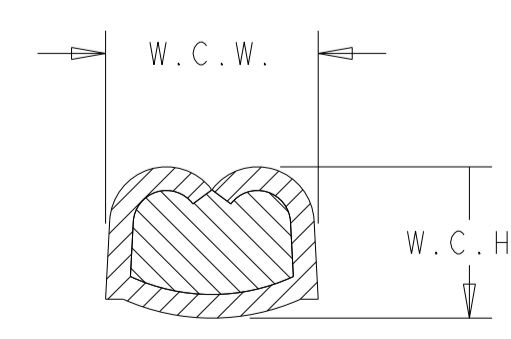
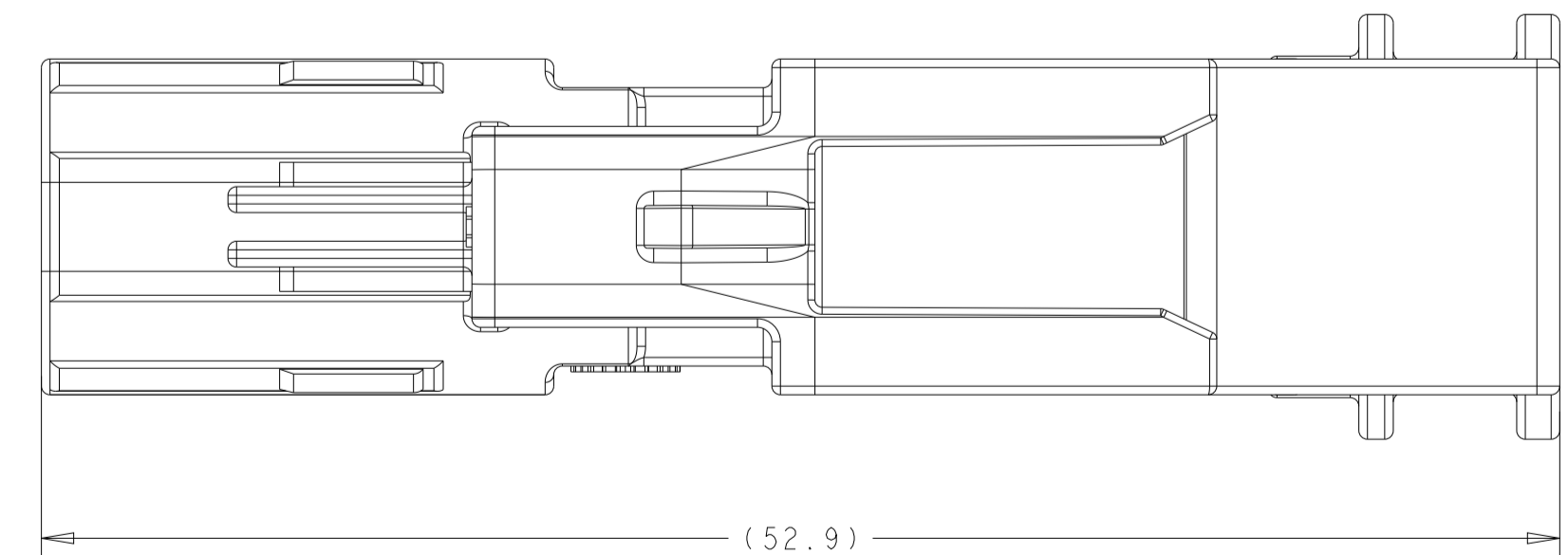
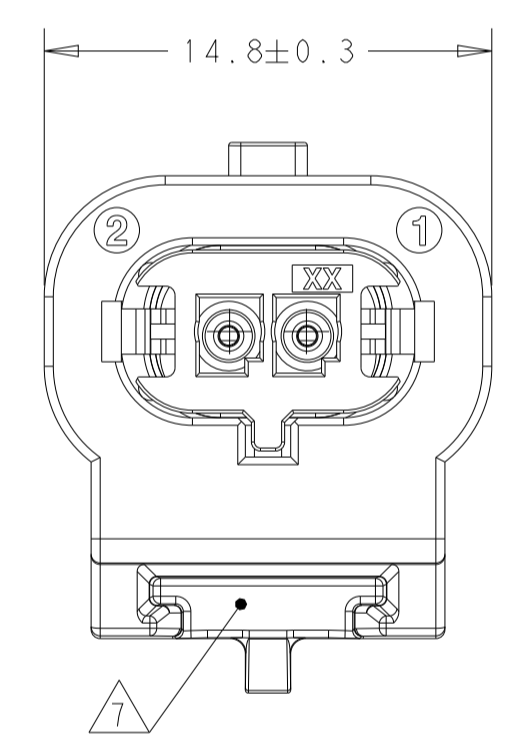
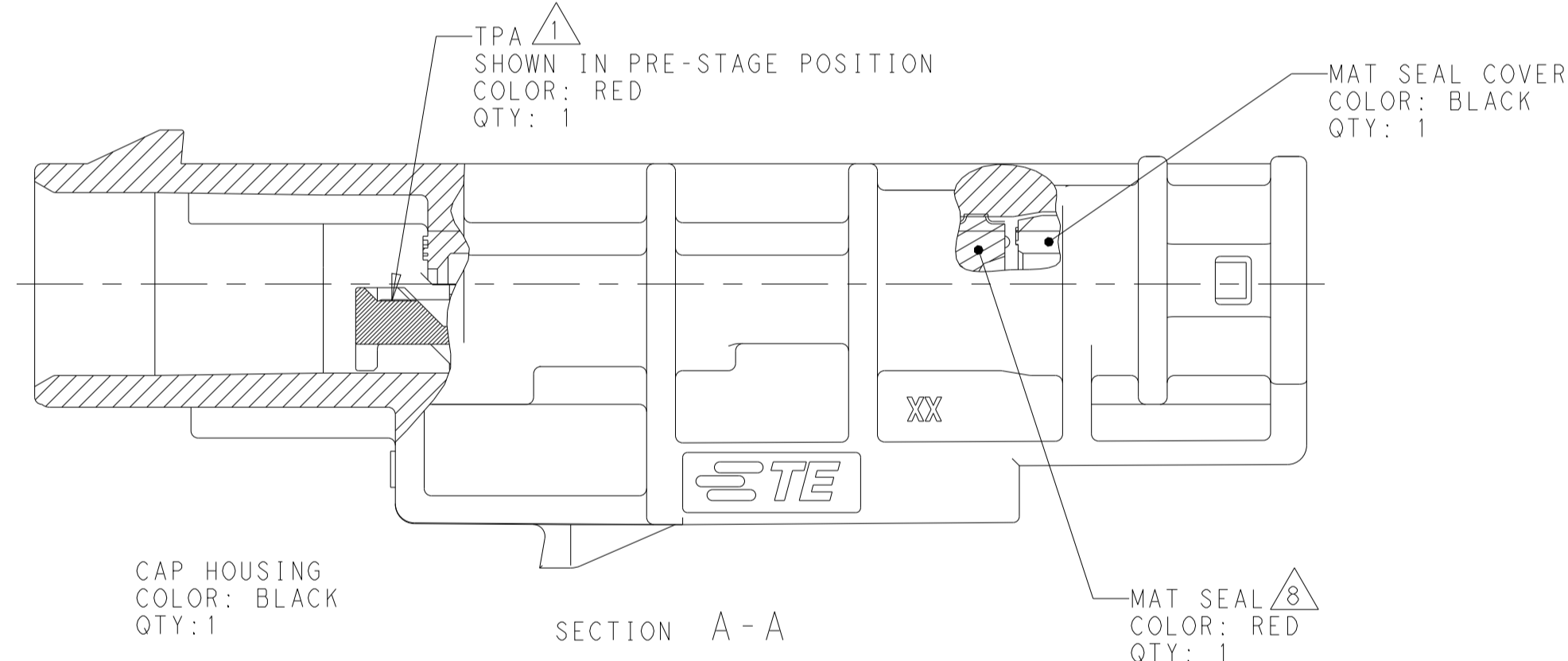
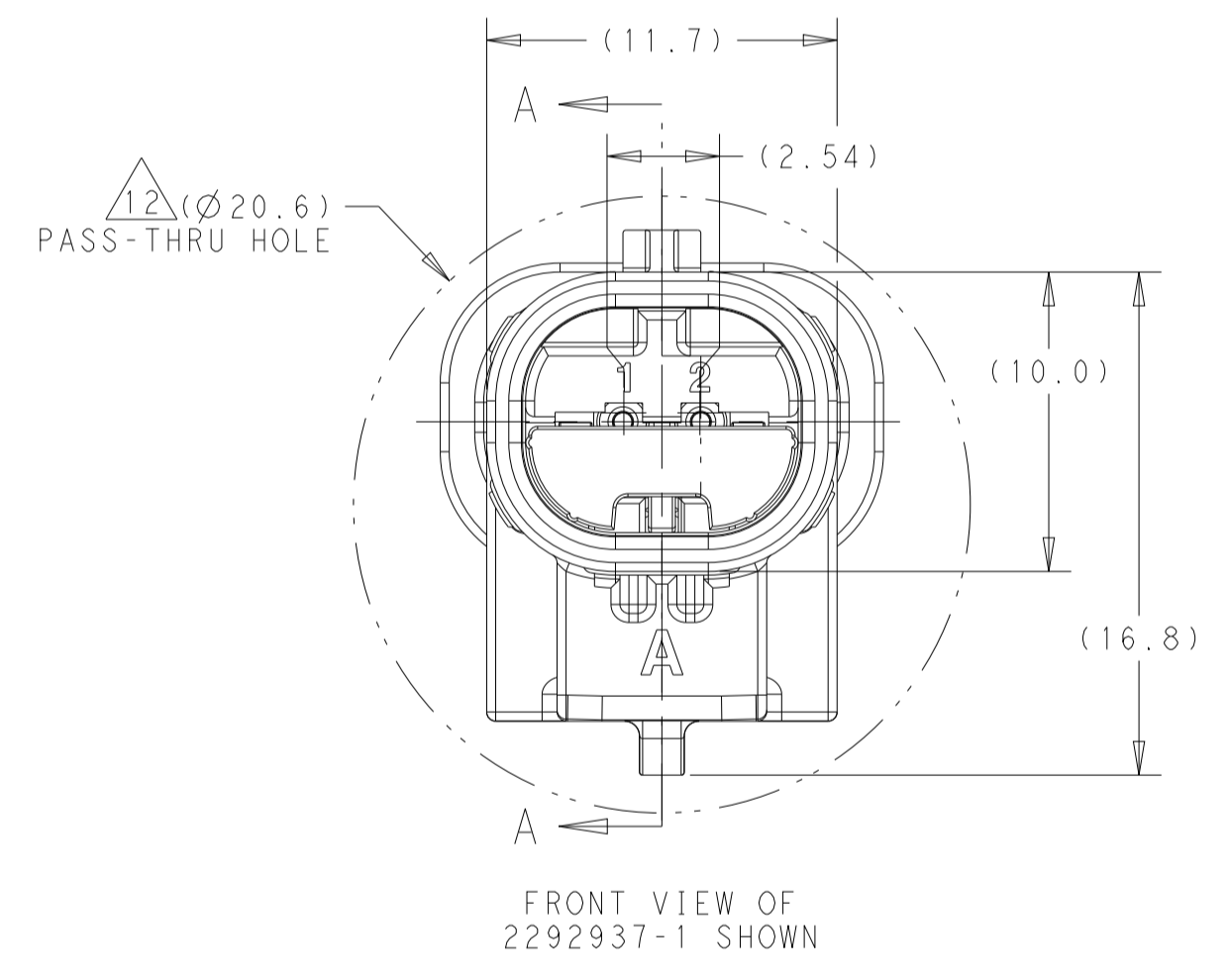
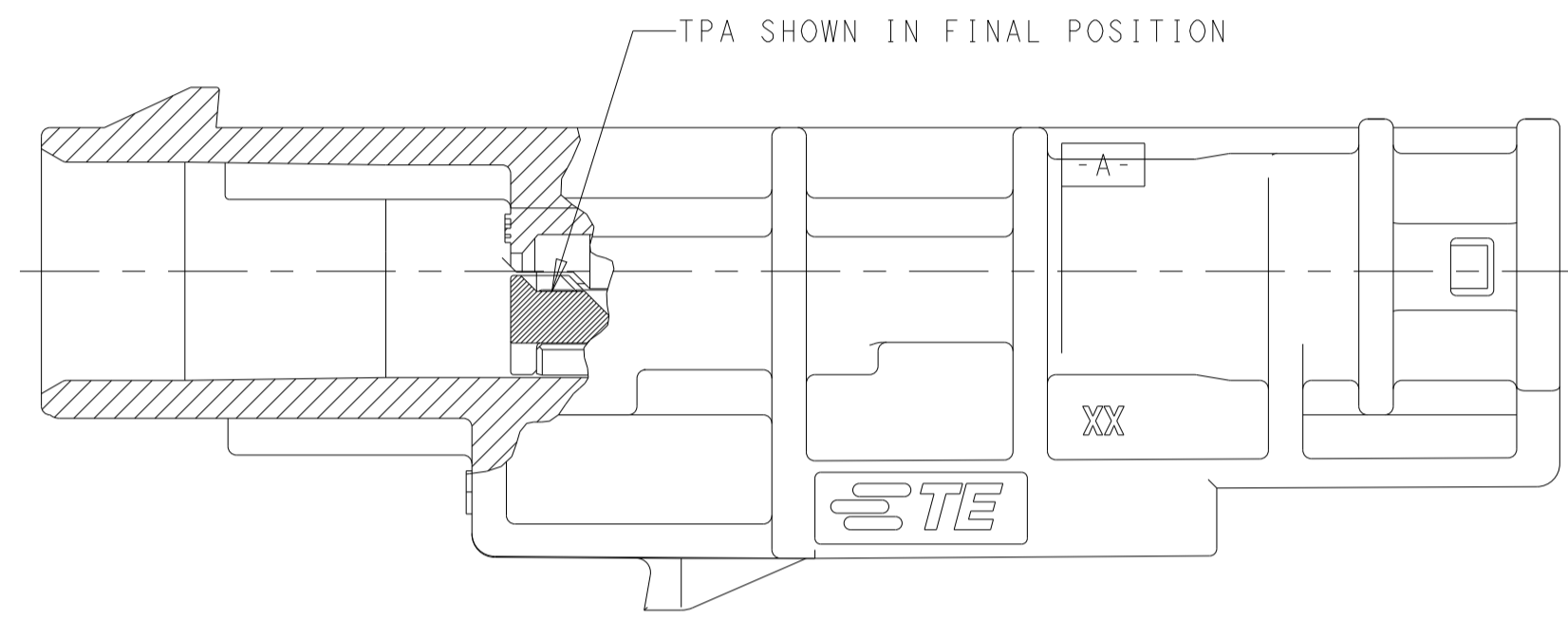


REVISIONS					
P	LTN	DESCRIPTION	DATE	OWN	APVD
B1		REVISED PER ECO-20-001920	10FEB2020	NRS	NRS
C		REVISED PER ECN-22-160264	22JUN2022	FC	CB
C1		REVISED PER ECN-22-181824	19SEP2022	GB	BC
C2		REVISED PER ECN-24-253432	12FEB2024	PS	CB



- 1. CAP ASSEMBLY IS SHIPPED WITH TPA IN PRE-STAGED POSITION. SEE INSTRUCTION SHEET 408-32254 FOR CONNECTOR SERVICE AND TPA OPERATION.
- 2. TERMINALS SOLD SEPARATELY. FOR USE WITH TE MCON 1.2mm CLEAN BODY STANDARD TAB CONTACT. SEE TABLE.
- 3. FOR OPTIONAL TERMINAL CAVITY BLOCKING, REFER TO INSTRUCTION SHEET 408-32254 OR CONTACT TE SALES REPRESENTATIVE OR CUSTOMER SERVICE.
- 4. CONTACT PLATING IS APPLICATION DEPENDENT. CONTACT TE SALES REPRESENTATIVE OR CUSTOMER SERVICE FOR DETAILS.
- 5. FOR WIRE CRIMP DETAILS, SEE TE APPLICATION SPECIFICATION 114-18464.
- 6. TE PART NUMBER AND DATE CODE (YY = TWO DIGIT YEAR, JJJ = 3 DIGIT JULIAN DAY, MARKED IN APPROX. AREA SHOWN).
- 7. CAP ASSEMBLY ACCEPTS ACCESSORY CLIPS DESIGNED TO FUNCTION IN CLIP SLOT DEFINED BY EWCAP-005-7 (7mm CLIP SLOT), REVISION B.
- 8. WIRE INSULATION DIAMETER RANGE: $\varnothing 1.22-2.1$.
- 9. REFERENCE TE INTERFACE DRAWING (2295114) FOR MISSING DIMENSIONS.
- 10. CONNECTOR SHOWN CAN BE USED WITH THE FOLLOWING WIRE DRESS COVERS:
 STRAIGHT EXIT: TE PN 2272168-1
 OR RIGHT ANGLE EXIT: TE PN 2272169-1
 WIRE DRESS COVERS ARE PURCHASED SEPARATELY.
- 11. CONNECTOR SHOWN MATES WITH 2P PLUG: 2292906-1 (KEY A) OR 2292906-2 (KEY B).
- 12. MINIMUM FEED-THROUGH CONDITION WITH 1.0mm CLEARANCE ALL AROUND.
- C1 13. INGRESS PROTECTION LEVEL FOR WIRE DIA 1.22-1.55 IS EQUAL TO IP6K7 STANDARD AND FOR 1.55-2.1 TO USCAR2 STANDARD.
- C2 14. NOT RELEASED FOR PRODUCTION.



WIRE CRIMP DIMENSIONS
 INSULATION CRIMP DIMENSIONS

125°C	4	1718350 0.50mm ² - 0.75mm ² (INCLUDES #20 AWG)	5	5	(2.05)
		1718348 0.25mm ² - 0.35mm ² (INCLUDES #22 AWG)			(1.85)
MAX TEMP	TERMINAL PLATING	MALE TERMINAL P/N WIRE SIZE	W.C.H	W.C.W	I.C.D

THIS DRAWING IS A CONTROLLED DOCUMENT.

DIMENSIONS:	TOLERANCES UNLESS OTHERWISE SPECIFIED:	OWN: J MCNEAL 20OCT2015	CHK: J SANDBURG 23OCT2015	APVD: D KLEIN 12JAN2016	NAME: INLINE CAP ASSEMBLY 2 POSITION, SEALED
mm	0 PLC ± 1 PLC ± 2 PLC ± 3 PLC ± 4 PLC ±	PRODUCT SPEC: 108-151045	APPLICATION SPEC: 114-151045	WEIGHT: 5.9 g	RESTRICTED TO: -
MATERIAL:	FINISH:	CUSTOMER DRAWING	SCALE: 5:1	SHEET: 1 OF 1	REV: C2

STE TE Connectivity

B	2292937-2
A	2292937-1
KEY CODE	PART NUMBER 14