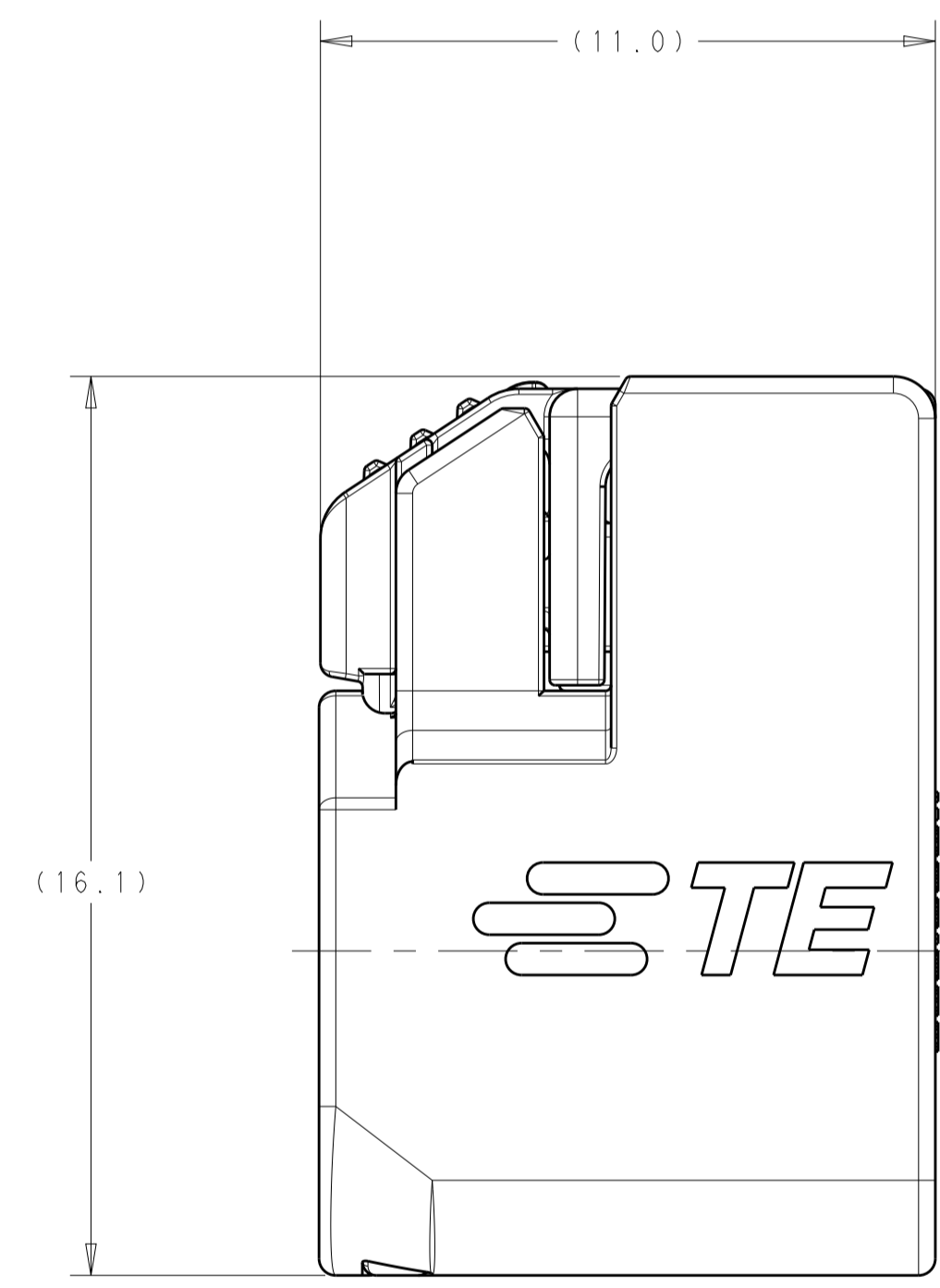
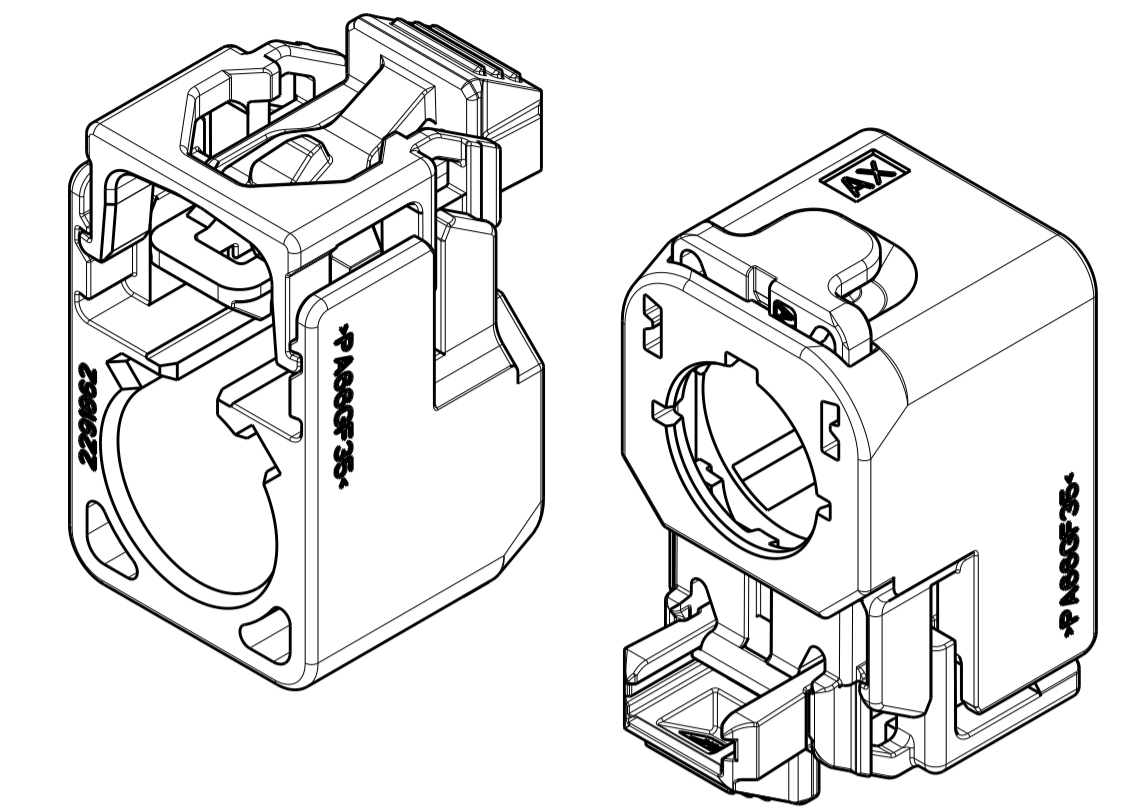
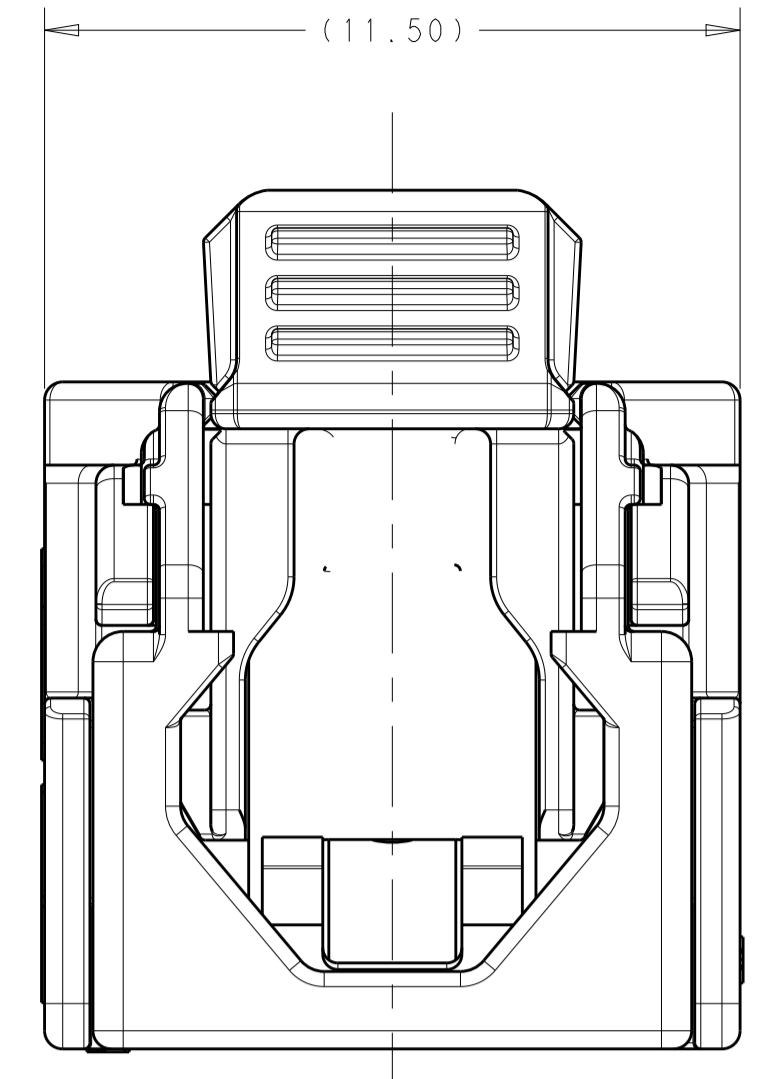
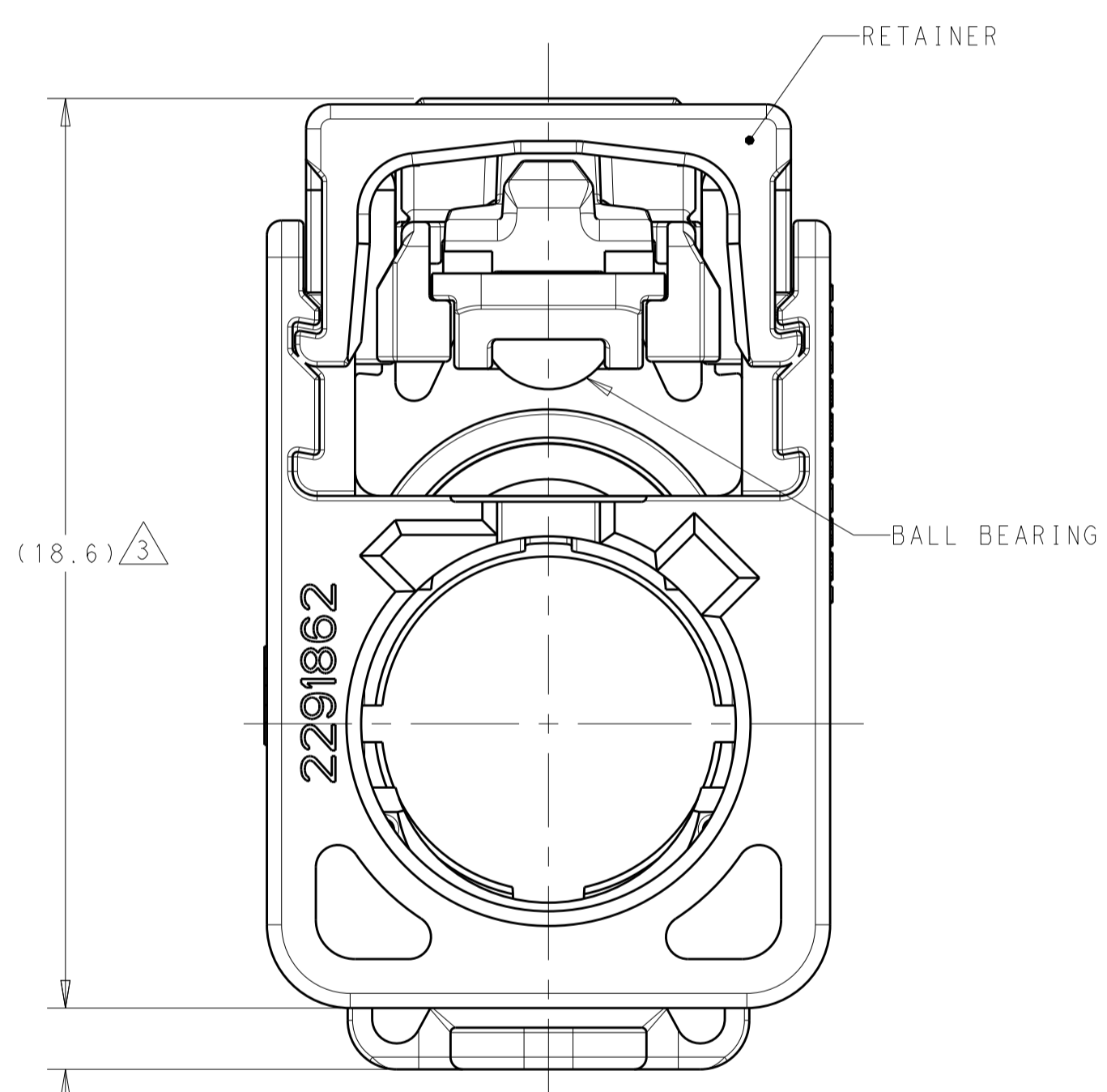


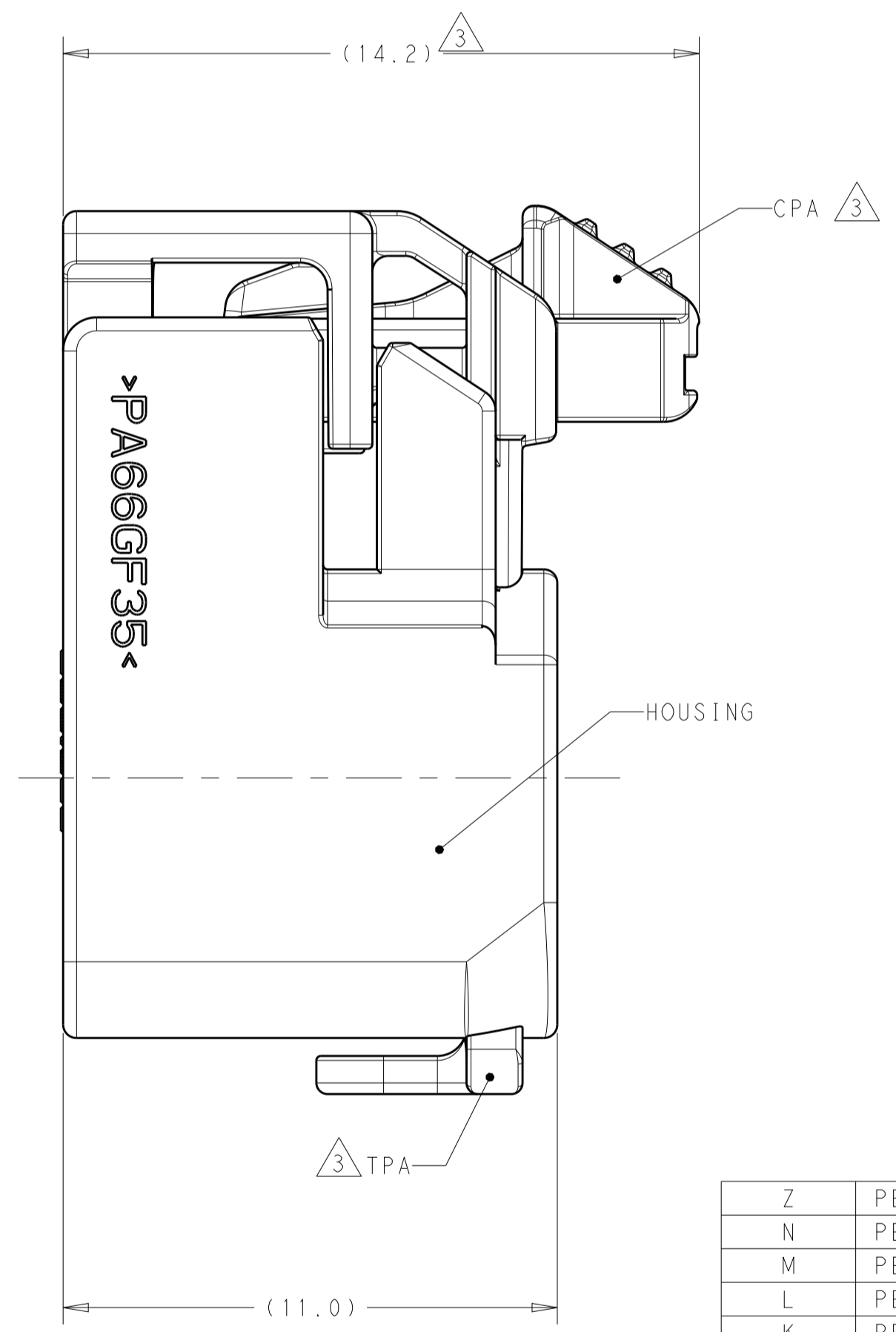
REVISIONS				
P.	LTN	DESCRIPTION	DATE	APVD
A		RELEASE	05NOV2020	JMS CPB



SET  
CONDITION



PRE-SET  
CONDITION



- HOUSING - PA66, COLOR: SEE TABLE, GLASS FILLED.  
CPA - POLYESTER PBT, COLOR: RED, GLASS FILLED.  
TPA - PA66, COLOR: TRAFFIC PURPLE GLASS FILLED.  
RETAINER - PA66, COLOR: NATURAL, GLASS FILLED.  
BALL BEARING - ALUMINUM.
  - FEMALE INTERFACE PER ISO-20860-1, ISO-20860-2, SAE/USCAR-17, SAE/USCAR-18.
- SECONDARY LOCK AND CPA IN PRE-SET POSITION.

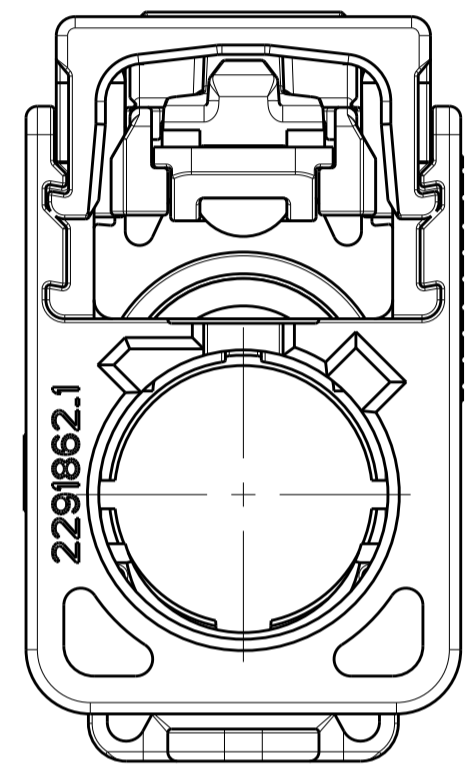
Z	PER DETAIL Z	WATER BLUE	2-2291859-0
N	PER DETAIL N	PASTEL GREEN	1-2291859-3
M	PER DETAIL M	PASTEL ORANGE	1-2291859-2
L	PER DETAIL L	CARMINE RED	1-2291859-1
K	PER DETAIL K	CURRY	1-2291859-0
I	PER DETAIL I	BEIGE	2291859-9
H	PER DETAIL H	HEATHER VIOLET	2291859-8
G	PER DETAIL G	BLUE GREY	2291859-7
F	PER DETAIL F	NUT BROWN	2291859-6
E	PER DETAIL E	LEAF GREEN	2291859-5
D	PER DETAIL D	CLARET VIOLET	2291859-4
C	PER DETAIL C	SIGNAL BLUE	2291859-3
B	PER DETAIL B	SIGNAL WHITE	2291859-2
A	PER DETAIL A	JET BLACK	2291859-1
CODING REF	KEYING	CODING COLOR	PART NUMBER

THIS DRAWING IS A CONTROLLED DOCUMENT.

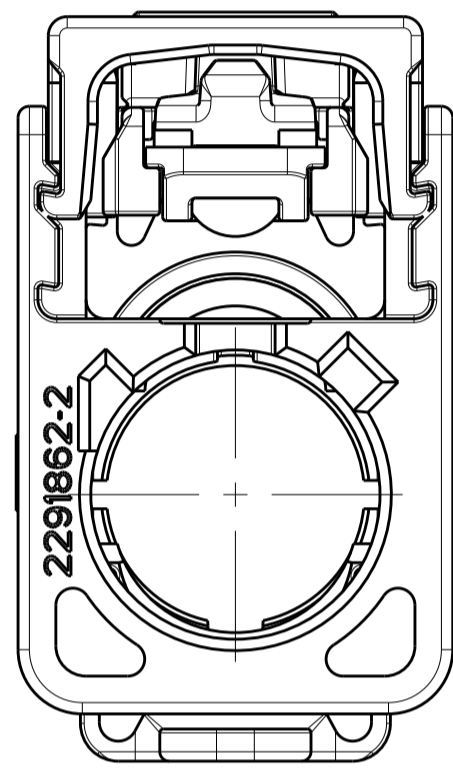
DWN: J. A. BAKER	04SEP2018	TE Connectivity NAME: FAKRA AUTOMATED 90 FEMALE HOUSING WITH CPA KIT PRODUCT SPEC: 108-162003 APPLICATION SPEC: 114-32217 WEIGHT: - RESTRICTED CUSTOMER
CHK: C. P. BRANDT	18SEP2018	
APVD: C. P. BRANDT	18SEP2018	
SIZE: A	CAGE CODE: 00779	

RESTRICTED TO: SHEET 1 OF 2 SCALE 8:1 REV A

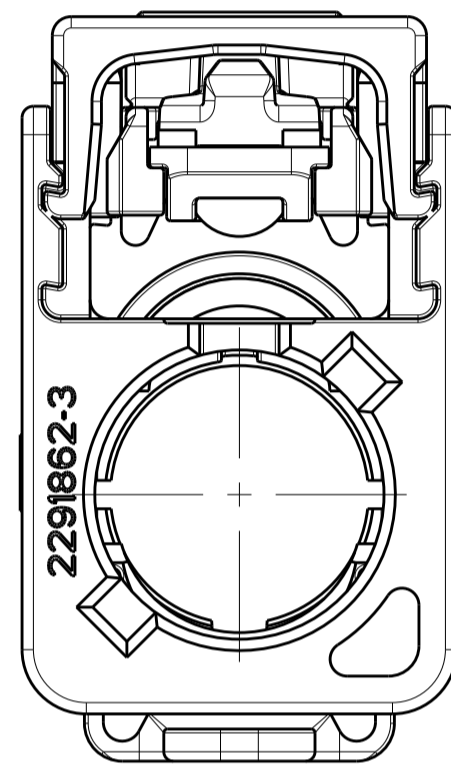
REVISIONS				
P.	LTN	DESCRIPTION	DATE	APVD
-		SEE SHEET 1	-	-



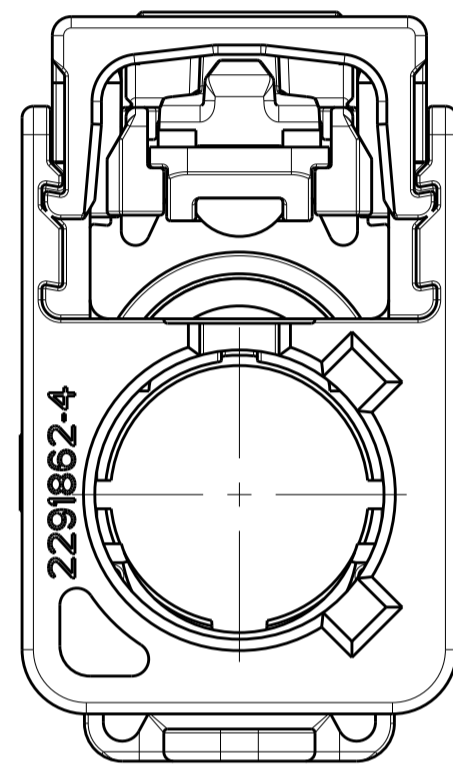
DETAIL A  
SCALE 5:1



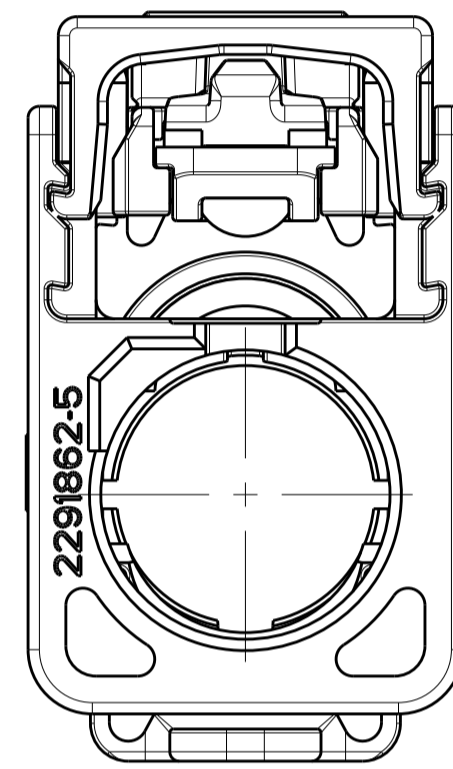
DETAIL B  
SCALE 5:1



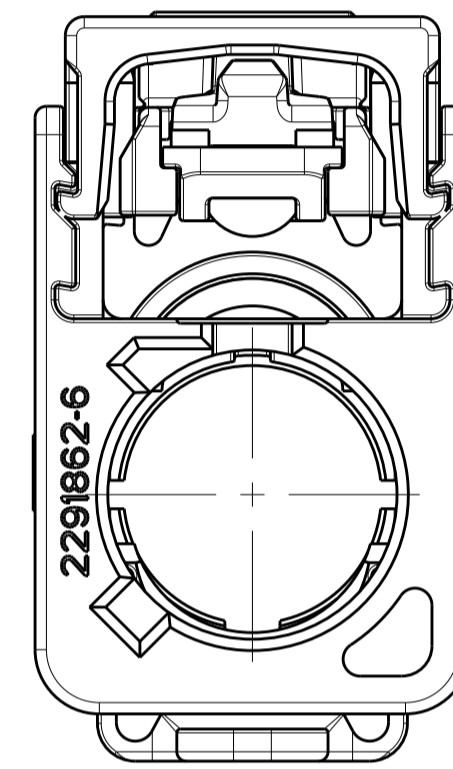
DETAIL C  
SCALE 5:1



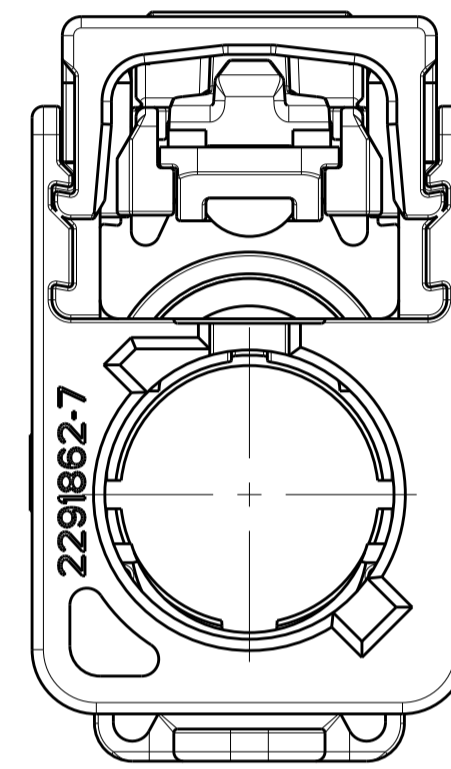
DETAIL D  
SCALE 5:1



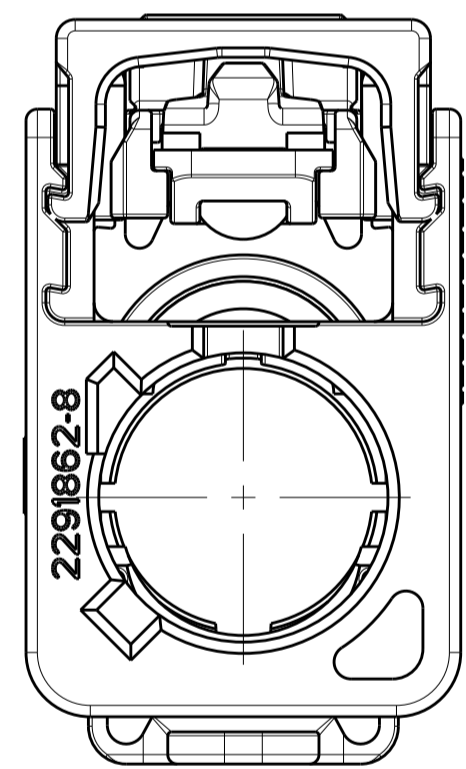
DETAIL E  
SCALE 5:1



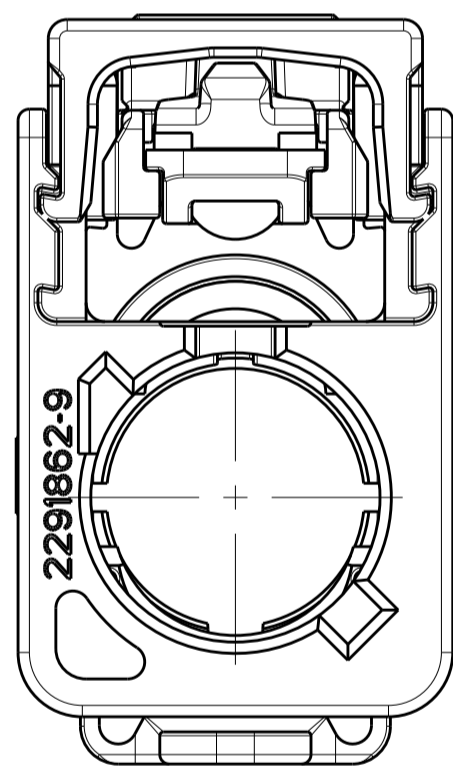
DETAIL F  
SCALE 5:1



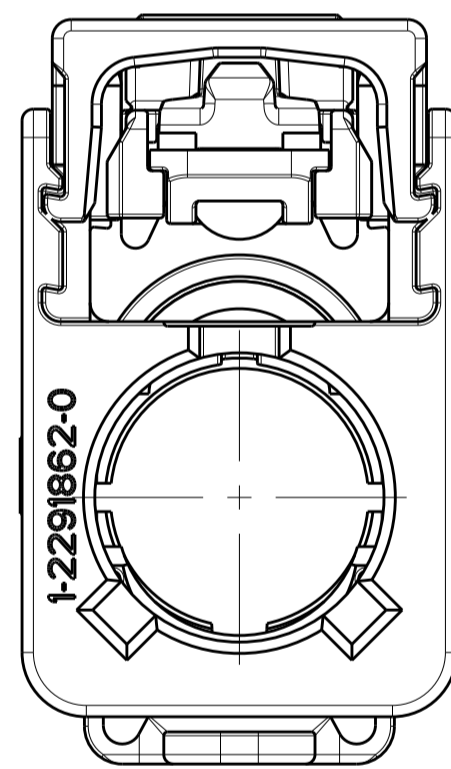
DETAIL G  
SCALE 5:1



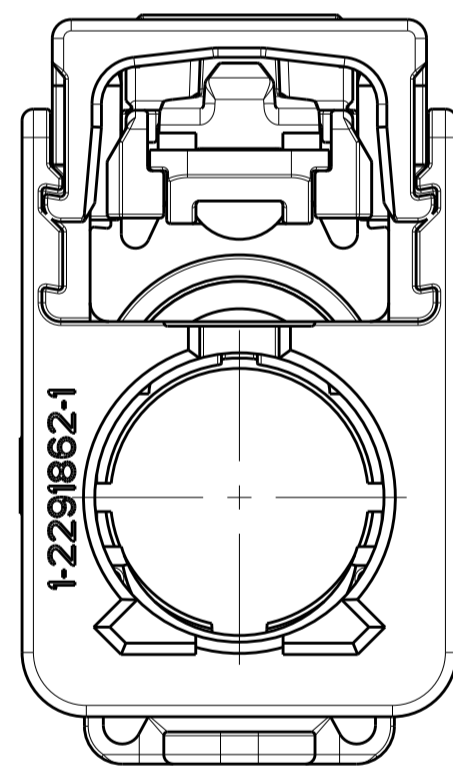
DETAIL H  
SCALE 5:1



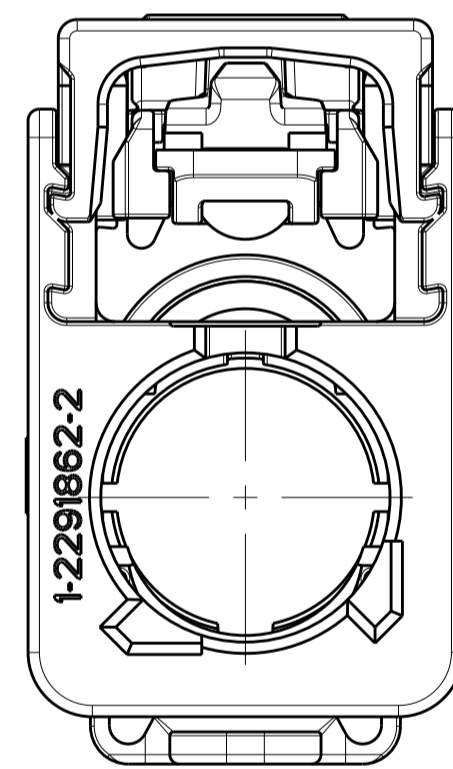
DETAIL I  
SCALE 5:1



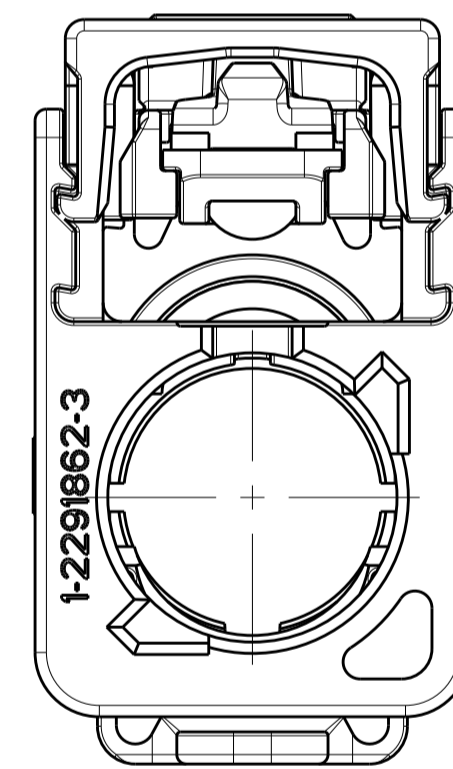
DETAIL K  
SCALE 5:1



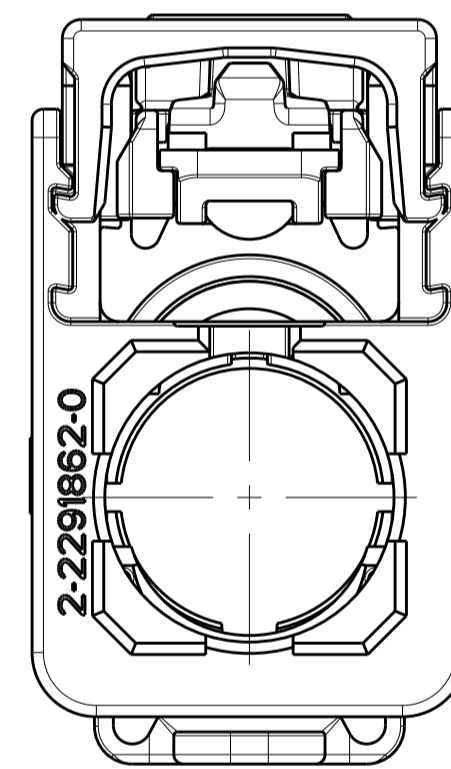
DETAIL L  
SCALE 5:1



DETAIL M  
SCALE 5:1



DETAIL N  
SCALE 5:1



DETAIL Z  
SCALE 5:1

THIS DRAWING IS A CONTROLLED DOCUMENT.		DWN J. A. BAKER 18SEP2018	04SEP2018	
DIMENSIONS:		CHK C. P. BRANDT 18SEP2018	18SEP2018	
mm	TOLERANCES UNLESS OTHERWISE SPECIFIED:	APVD C. P. BRANDT 18SEP2018	NAME FAKRA AUTOMATED 90 FEMALE HOUSING WITH CPA KIT	RESTRICTED TO
	0 PLC ± 1 PLC ± 2 PLC ± 3 PLC ± 4 PLC ± ANGLES ±	PRODUCT SPEC 108-162003	SIZE CAGE CODE DRAWING NO A 100779 C=2291859	
MATERIAL	FINISH	WEIGHT	114-32217	SCALE 10:1 SHEET 2 OF 2 REV A
		RESTRICTED CUSTOMER		