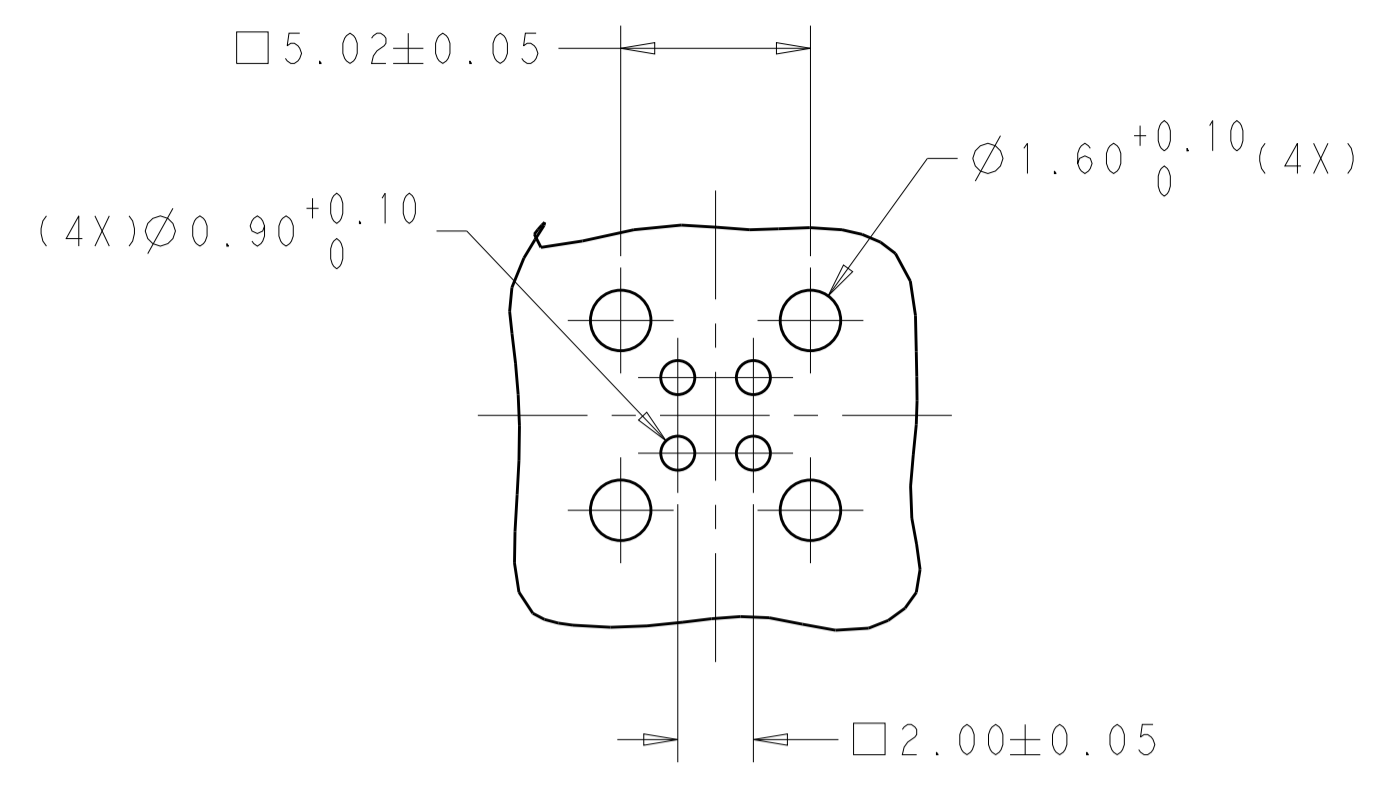
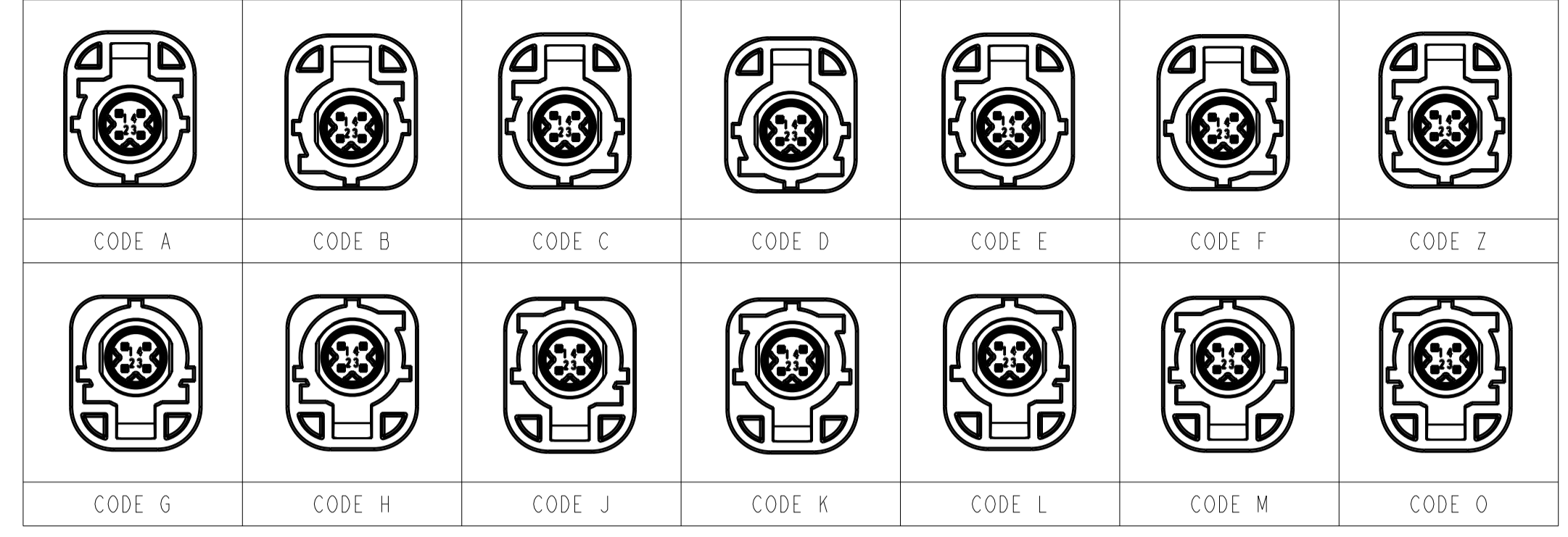
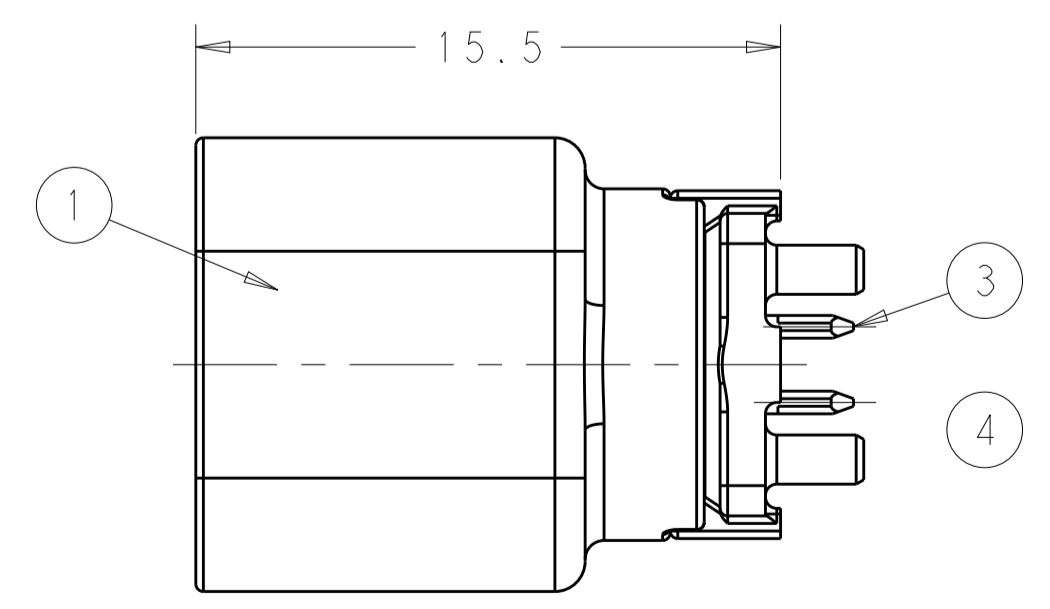
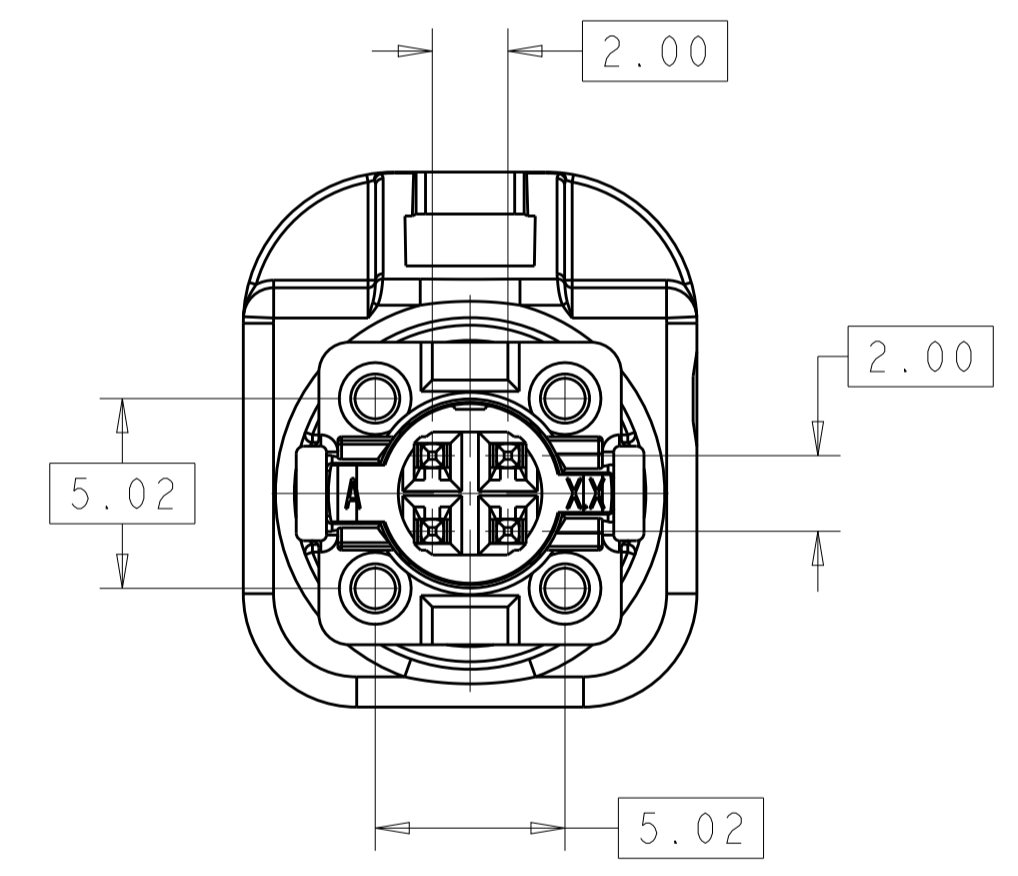
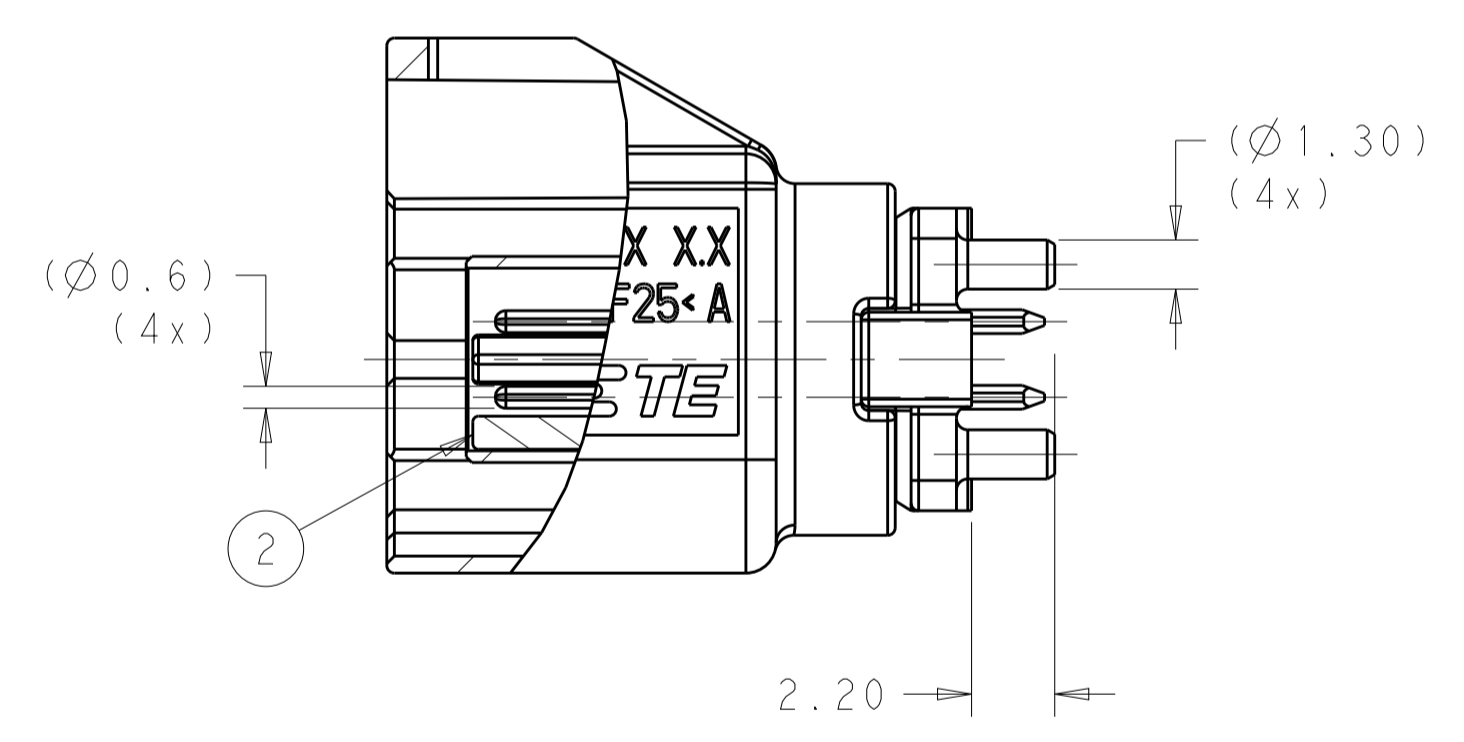
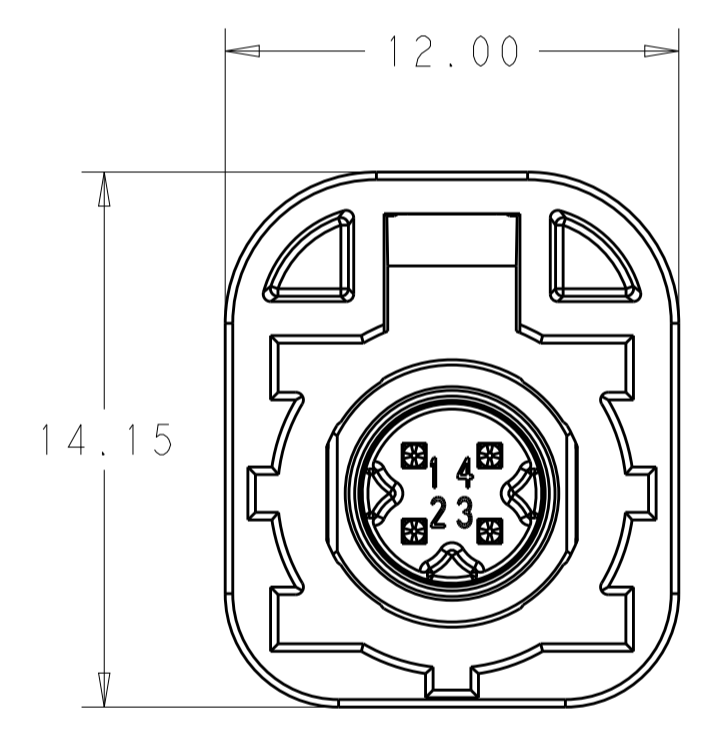
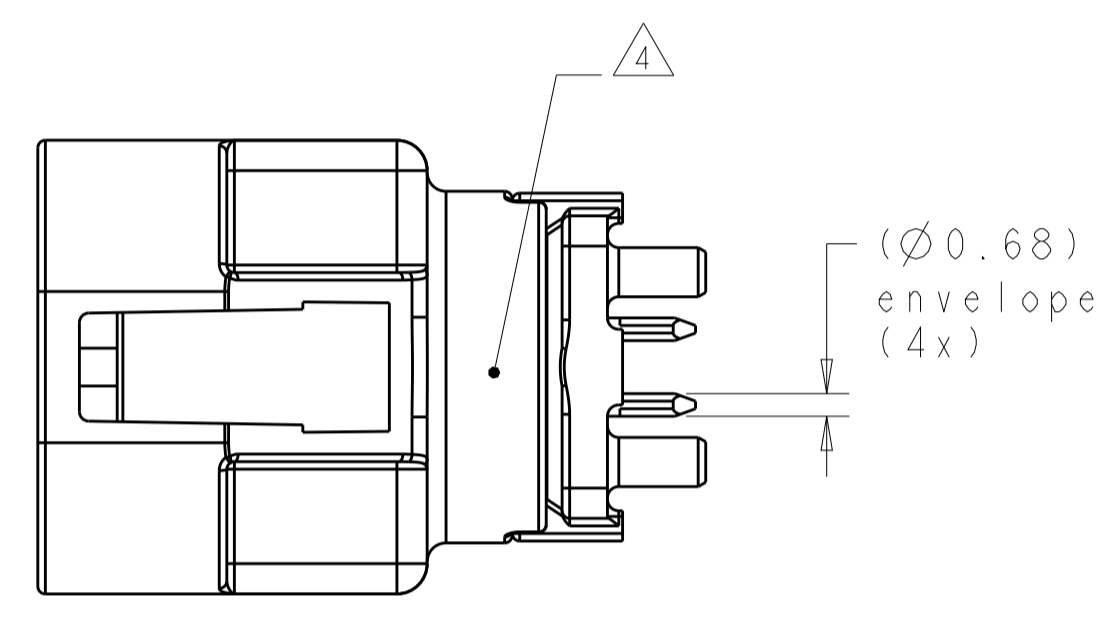


CODINGS



RECOMMENDED PCB LAYOUT

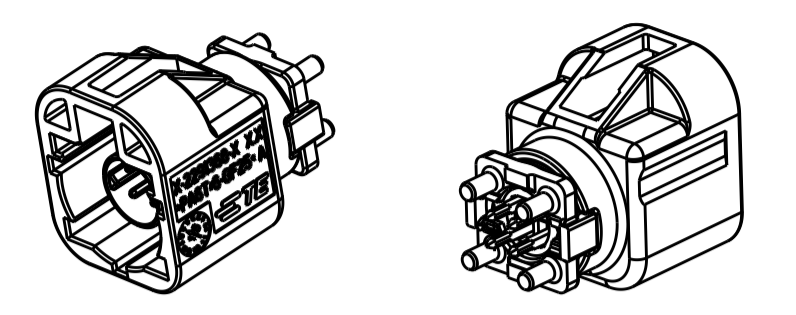


NOTES

- 1 DETAILS OF DESIGN ARE LEFT TO TE CONNECTIVITY
- 2 HSD INTERFACE ACC. TO TE SPEC. 114-18950
- 3 PACKAGING: TAPE AND REEL
- 4 MARKING OF 100% TEST PASSED
- 5 FITS WITH HSD CONNECTOR 90 DEG. TE PN X-2208145-X AND HSD CONTACT 90 DEG. TE PN 2236774-1...-3 OR HSD CONNECTOR 180 DEG. TE PN X-1823898-X AND HSD CONTACT 180 DEG. TE PN 2236772-1
- 6 ALL DIMENSIONS IN BRACKETS () FOR INFORMATION ONLY

WEIGHT [g]: 2.7
AS SHOWN CODING Z

| REVISIONS | | | | |
|-----------|-----|-----------------|-----------|----------|
| P. | LTN | DESCRIPTION | DATE | OWN APVD |
| A | | INITIAL RELEASE | 03JUN2015 | FP PW |
| B | | ECR-16-012712 | 09SEP2016 | FP PW |
| C | | ECR-18-004841 | 09APR2018 | FP WW |



SCALE 2:1

| QTY | CODE | DESCRIPTION | MATERIAL | FINISH COLOR, SIMILAR RAL | ITEM NO. |
|-----|------|----------------|-----------|--|----------|
| 1 | | SHIELDING BODY | Zn ALLOY | SOLDER SIDE: TIN PLATING 3µm MIN. INTERFACE SIDE(OUTER CONTACT): NICKEL PLATING 3µm MIN. | 4 |
| 4 | | CONTACT PIN | CuSn4 | SOLDER SIDE: TIN PLATING 3µm MIN. INTERFACE SIDE: GOLD PLATING 0.8µm MIN. | 3 |
| 1 | | CAVITY BLOCK | PA4T-GF30 | BLACK | 2 |
| | | | | PA6T/6-GF25 | 1 |
| | | | | LIGHT GREEN / 6027 | |
| | | | | PASTEL ORANGE / 2003 | |
| | | | | YELLOW GREEN / 6048 | |
| | | | | CURRY / 1027 | |
| | | | | BEIGE / 1001 | |
| | | | | HEATHER VIOLET / 4003 | |
| | | | | BLUISH GREY / 7031 | |
| | | | | WATER BULE / 5021 | |
| | | | | NUT BROWN / 8011 | |
| | | | | LEAF GREEN / 6002 | |
| | | | | CLARET VIOLET / 4004 | |
| | | | | SIGNAL BLUE / 5005 | |
| | | | | CREAM WHITE / 9001 | |
| | | | | JET BLACK / 9005 | |

| QUANTITY | | | | | | | | | | | | | | | | CODE | DESCRIPTION | MATERIAL | FINISH COLOR, SIMILAR RAL | ITEM NO. | |
|----------|-----|-----|-----|-----|-----|-----|-----|-----|-----|-----|-----|-----|-----|--|--|------|-------------|----------|---------------------------|----------|--|
| 2-1 | 2-2 | 2-3 | 2-4 | 2-5 | 2-6 | 2-9 | 3-1 | 3-2 | 3-3 | 3-4 | 3-5 | 3-6 | 3-9 | | | | | | | | |
| A | B | C | D | E | F | Z | G | H | J | K | L | M | O | | | | | | | | |
| B | B | B | B | B | B | B | B | B | B | B | B | B | B | | | | | | | | |

| QTY | CODE | DESCRIPTION | MATERIAL | FINISH COLOR, SIMILAR RAL | ITEM NO. |
|-----|------|----------------|-----------|---|----------|
| 1 | | SHIELDING BODY | Zn ALLOY | SOLDER SIDE: TIN PLATING 3µm MIN. INTERFACE SIDE(OUTER CONTACT): TIN PLATING 3µm MIN. | 4 |
| 4 | | CONTACT PIN | CuSn4 | SOLDER SIDE: TIN PLATING 3µm MIN. INTERFACE SIDE: GOLD PLATING 0.8µm MIN. | 3 |
| 1 | | CAVITY BLOCK | PA4T-GF30 | BLACK | 2 |
| | | | | PA6T/6-GF25 | 1 |
| | | | | LIGHT GREEN / 6027 | |
| | | | | PASTEL ORANGE / 2003 | |
| | | | | YELLOW GREEN / 6048 | |
| | | | | CURRY / 1027 | |
| | | | | BEIGE / 1001 | |
| | | | | HEATHER VIOLET / 4003 | |
| | | | | BLUISH GREY / 7031 | |
| | | | | WATER BULE / 5021 | |
| | | | | NUT BROWN / 8011 | |
| | | | | LEAF GREEN / 6002 | |
| | | | | CLARET VIOLET / 4004 | |
| | | | | SIGNAL BLUE / 5005 | |
| | | | | CREAM WHITE / 9001 | |
| | | | | JET BLACK / 9005 | |

| QUANTITY | | | | | | | | | | | | | | | | CODE | DESCRIPTION | MATERIAL | FINISH COLOR, SIMILAR RAL | ITEM NO. |
|----------|-----|-----|-----|-----|-----|-----|-----|-----|-----|-----|-----|-----|-----|--|--|------|-------------|----------|---------------------------|----------|
| 0-1 | 0-2 | 0-3 | 0-4 | 0-5 | 0-6 | 0-9 | 1-1 | 1-2 | 1-3 | 1-4 | 1-5 | 1-6 | 1-9 | | | | | | | |
| A | B | C | D | E | F | Z | G | H | J | K | L | M | O | | | | | | | |
| B | B | B | B | B | B | B | B | B | B | B | B | B | B | | | | | | | |

THIS DRAWING IS A CONTROLLED DOCUMENT. DIMENSIONS: mm. TOLERANCES UNLESS OTHERWISE SPECIFIED: 0 PLC ±0.1, 1 PLC ±0.2, 2 PLC ±0.3, 3 PLC ±0.4, 4 PLC ±0.5, ANGLES ±0.1.

OWN: F.PAN 01APR2015, CHK: F.PAN 01APR2015, APVD: P.WU 01APR2015. PRODUCT SPEC: 108-101388. APPLICATION SPEC: -.

WEIGHT: -.

Customer Drawing. SCALE: 5:1. SHEET 1 OF 1. REV C.

STE TE Connectivity. HSD HEADER 180DEG 4POS. ASSY. SIZE: A1. CAGE CODE: - DRAWING NO: C=2291364.