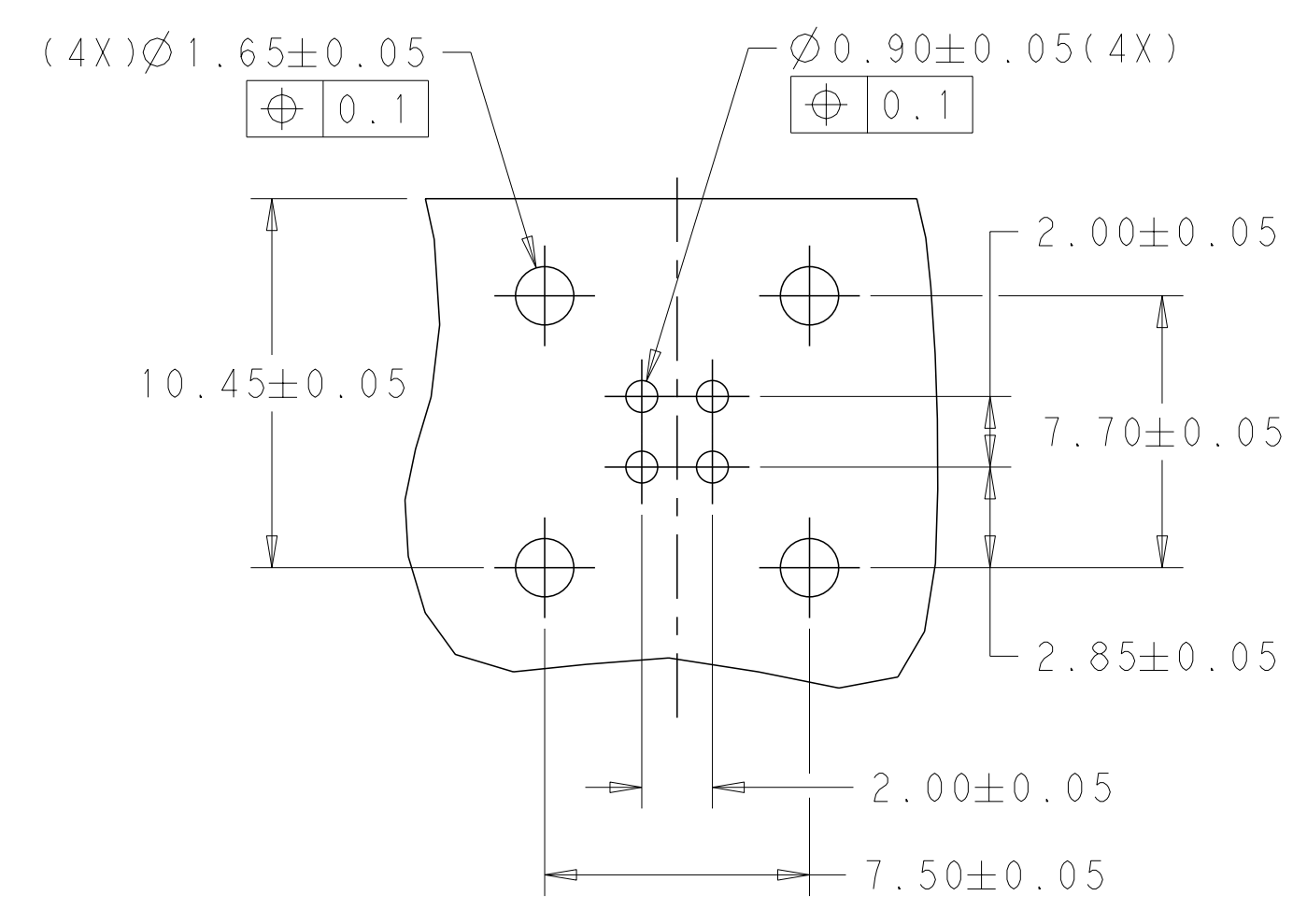
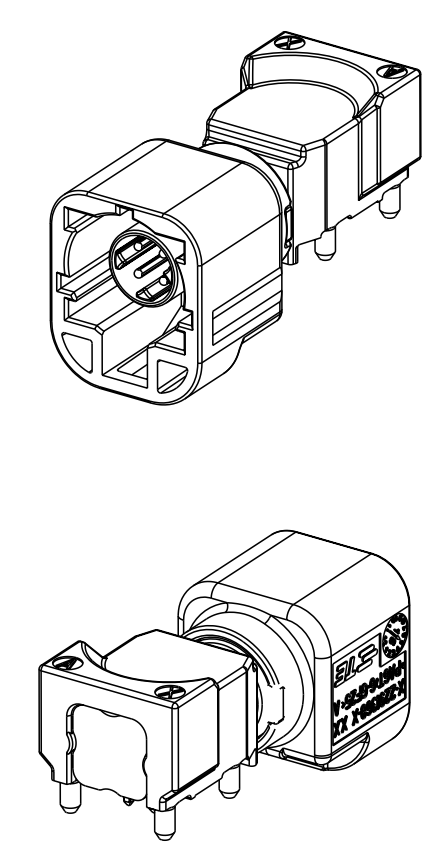
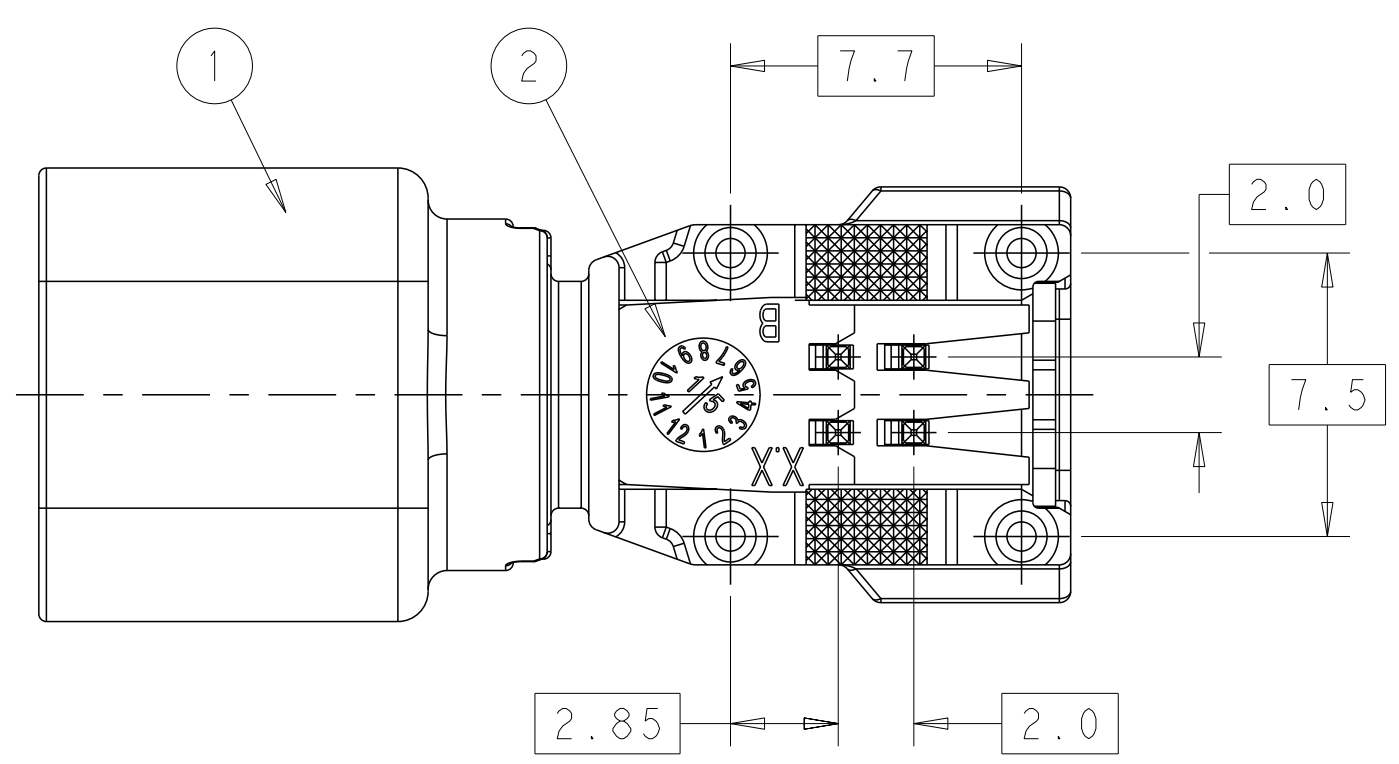
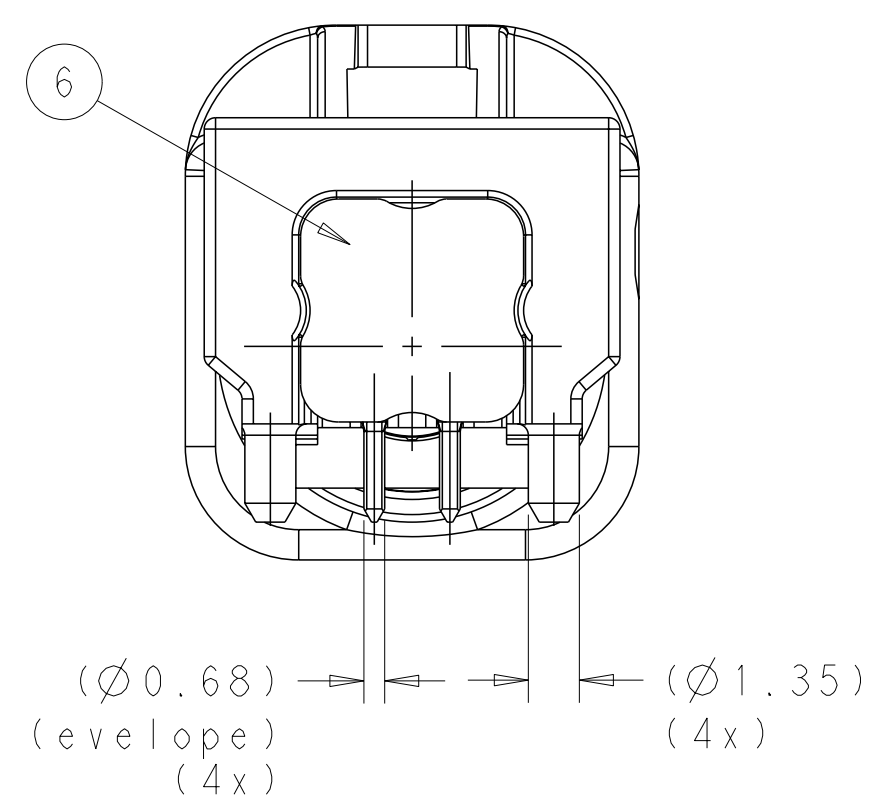
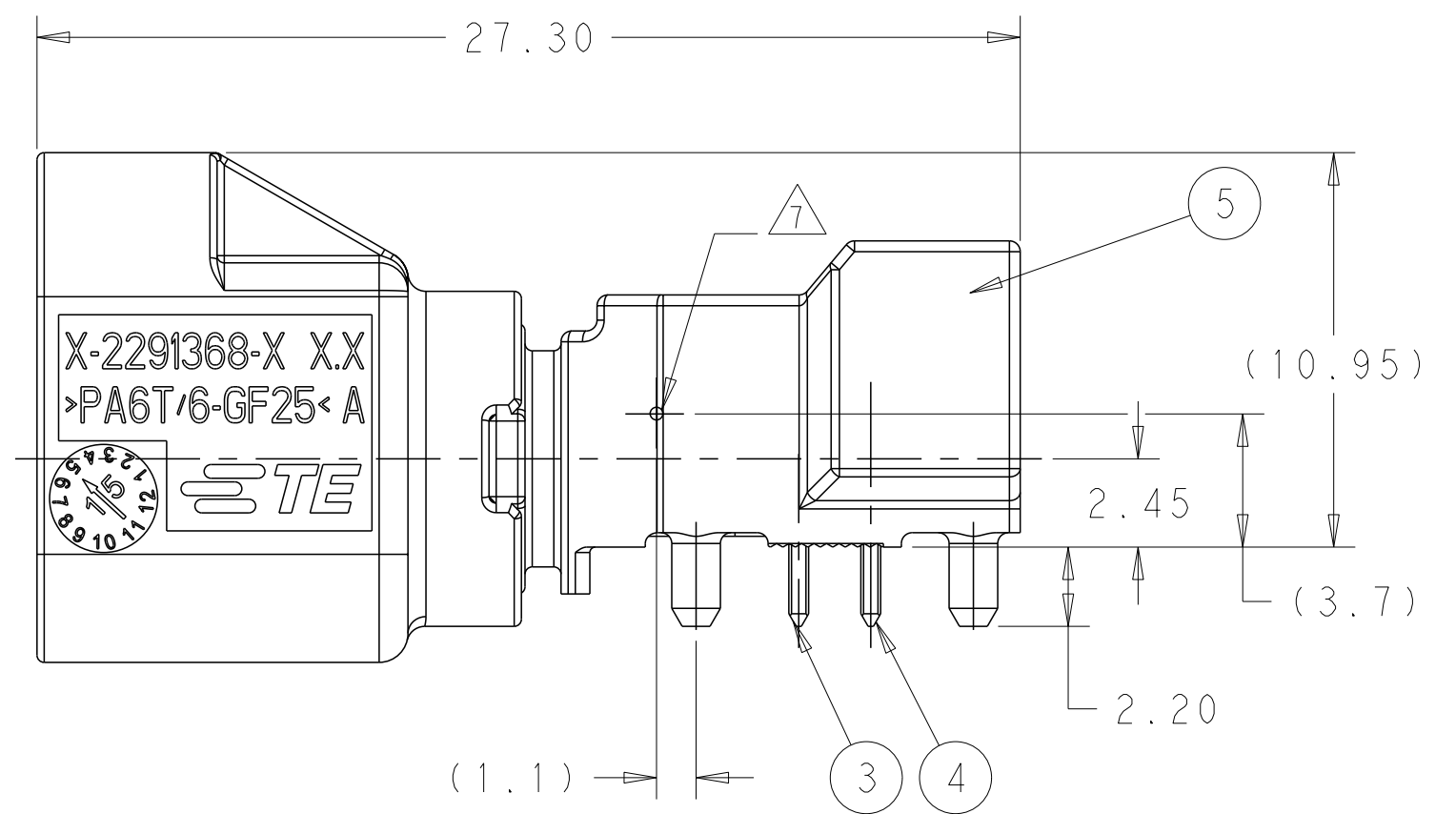
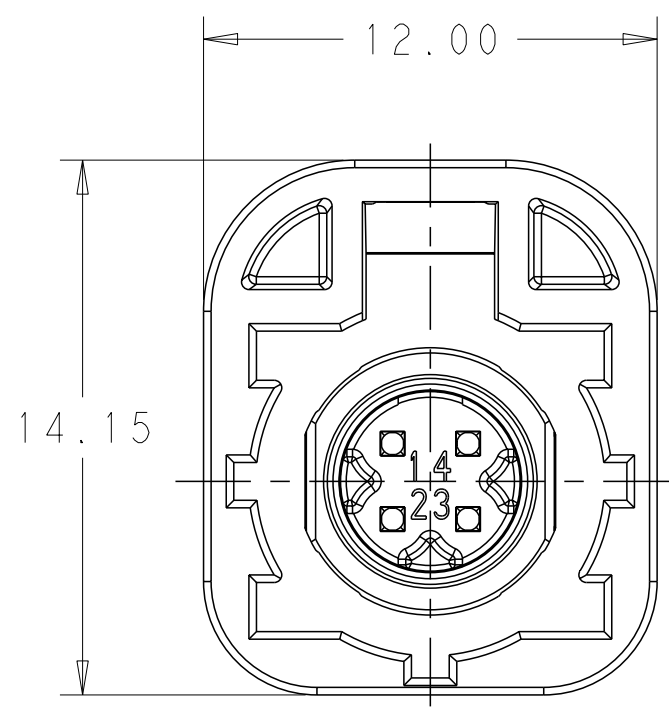
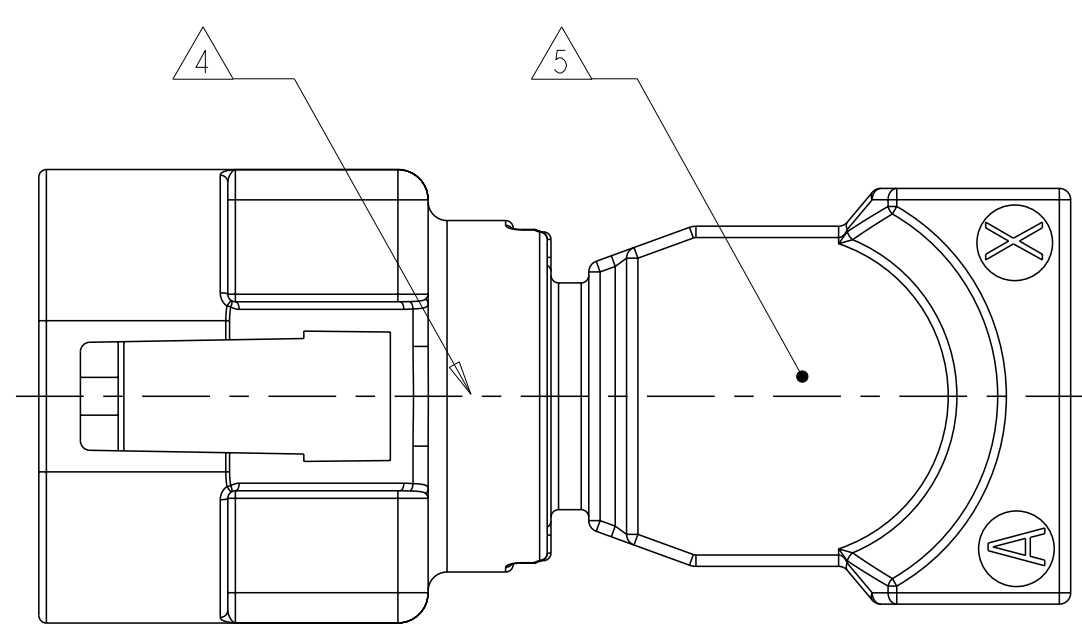


CODINGS						
CODE A	CODE B	CODE C	CODE D	CODE E	CODE F	CODE Z
CODE G	CODE H	CODE J	CODE K	CODE L	CODE M	CODE O



RECOMMENDED PCB LAYOUT

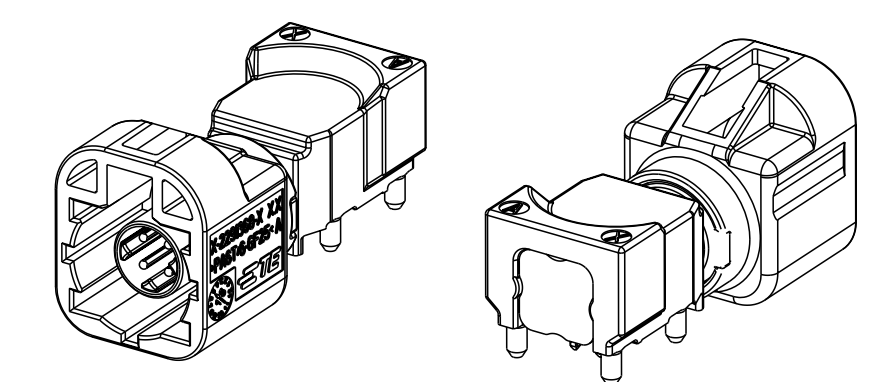


CODING O SCALE 2:1

- 1 DETAILS OF DESIGN ARE LEFT TO TE CONNECTIVITY
- 2 HSD INTERFACE ACC. TO TE SPEC. 114-18950
- 3 PACKAGING: TAPE AND REEL
- 4 MARKING OF 100% TEST PASSED
- 5 AREA OF VACUUM GRIPPER
- 6 FITS WITH HSD CONNECTOR 90 DEG. TE PN X-2208145-X AND HSD CONTACT 90 DEG. TE PN 2236774-1...-3 OR HSD CONNECTOR 180 DEG TE PN X-1823898-X AND HSD CONTACT 180 DEG. TE PN 2236772-1
- 7 CENTER OF GRAVITY
- 8 ALL DIMENSIONS IN BRACKETS () FOR INFORMATION ONLY

WEIGHT [g]: 6.7
AS SHOWN CODING Z

REVISIONS				
#	DATE	DESCRIPTION	OWN	APVD
A	03JUN2015	INITIAL RELEASE	FP	PW
B	23AUG2016	ECR-16-012712	FP	PW
C	17NOV2017	ECR-17-016824	FP	WW
C2	26MAY23	ECN-23-214756	M.X	F.P



CODING Z SCALE 2:1

QTY	CODE	DESCRIPTION	MATERIAL	FINISH COLOR, SIMILAR RAL	ITEM NO.
1		SHIELDING CAP	BRASS	TIN PLATING 1µm MIN.	6
1		SHIELDING BODY	Zn ALLOY	SOLDER SIDE: TIN PLATING 3µm MIN. INTERFACE SIDE(OUTER CONTACT): WICKEL PLATING 3µm MIN.	5
2		CONTACT PIN (LONG)	CuSn4	SOLDER SIDE: TIN PLATING 3µm MIN. INTERFACE SIDE: GOLD PLATING 0.8µm MIN.	4
2		CONTACT PIN (SHORT)			3
1		CAVITY BLOCK	PA4T-GF30	BLACK	2
		CODING COVER	PA6T/6-GF25	LIGHT GREEN / 6027	1
				PASTEL ORANGE / 2003	
				YELLOW GREEN / 6048	
				CURRY / 1027	
				BEIGE / 1001	
				HEATHER VIOLET / 4003	
				BLUISH GREY / 7031	
				WATER BULE / 5021	
				NUT BROWN / 8011	
				LEAF GREEN / 6002	
				CLARET VIOLET / 4004	
				SIGNAL BLUE / 5005	
				CREAM WHITE / 9001	
		JET BLACK / 9005			

QTY	CODE	DESCRIPTION	MATERIAL	FINISH COLOR, SIMILAR RAL	ITEM NO.
ASSY NO. X-2291362-Y (PRELIMINARY)					
ASSY CODE					
REVISION					

QTY	CODE	DESCRIPTION	MATERIAL	FINISH COLOR, SIMILAR RAL	ITEM NO.
1		SHIELDING CAP	BRASS	TIN PLATING 1µm MIN.	6
1		SHIELDING BODY	Zn ALLOY	SOLDER SIDE: TIN PLATING 3µm MIN. INTERFACE SIDE(OUTER CONTACT): TIN PLATING 3µm MIN.	5
2		CONTACT PIN (LONG)	CuSn4	SOLDER SIDE: TIN PLATING 3µm MIN. INTERFACE SIDE: GOLD PLATING 0.8µm MIN.	4
2		CONTACT PIN (SHORT)			3
1		CAVITY BLOCK	PA4T-GF30	BLACK	2
		CODING COVER	PA6T/6-GF25	LIGHT GREEN / 6027	1
				PASTEL ORANGE / 2003	
				YELLOW GREEN / 6048	
				CURRY / 1027	
				BEIGE / 1001	
				HEATHER VIOLET / 4003	
				BLUISH GREY / 7031	
				WATER BULE / 5021	
				NUT BROWN / 8011	
				LEAF GREEN / 6002	
				CLARET VIOLET / 4004	
				SIGNAL BLUE / 5005	
				CREAM WHITE / 9001	
		JET BLACK / 9005			

QTY	CODE	DESCRIPTION	MATERIAL	FINISH COLOR, SIMILAR RAL	ITEM NO.
ASSY NO. X-2291362-Y					
ASSY CODE					
REVISION					

THIS DRAWING IS A CONTROLLED DOCUMENT.

OWN: ML_XU 26MAY2023
CHK: F_PAN 26MAY2023
APVD: P_WU 26MAY2023

TE Connectivity

HSD Header 90deg

SIZE: A1
SCALE: 5:1
SHEET: 1 of 1
REV: C2

Printed on 26 May 2023 15:55 (?????) from TE539006 C

B

A