

REVISIONS

P	LTR	DESCRIPTION	DATE	DWN	APVD
	L	PRODUCTION ISSUE	28JAN2019	PNT	MT

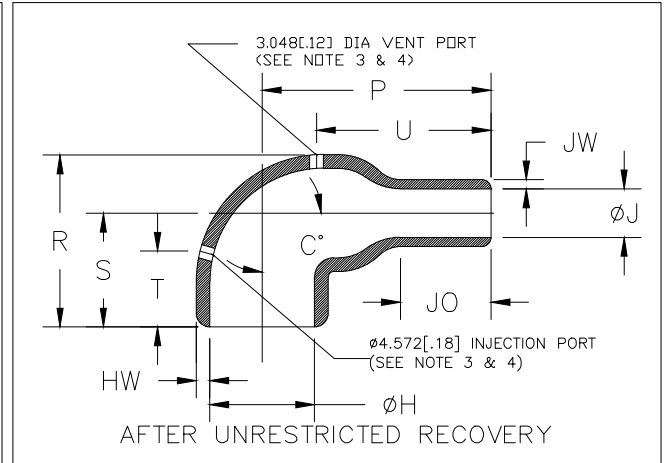
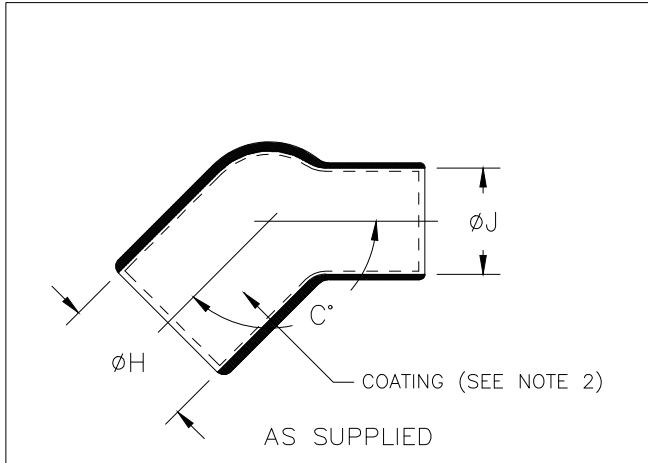


TABLE OF DIMENSIONS

PART NUMBER	H		J		P ±10% b	R ±10% b	S ±10% b	JO ±10% b	T ±10% b	U ±10% b	HW ±20% b	JW ±20% b	C°	
	Min a	Max b	Min a	Max b									±10° a	±5° b
228A011	10.7 [.42]	7.9 [.31]	4.6 [.18]	2.0 [.08]	20.3 [.80]	20.3 [.80]	16.0 [.63]	5.1 [.20]	N/A	12.7 [.50]	1.3 [.05]	1.0 [.04]	135°	90°
228A021	13.7 [.54]	10.4 [.41]	6.6 [.26]	3.0 [.12]	25.4 [1.00]	23.1 [.91]	16.8 [.66]	7.6 [.30]	N/A	16.3 [.64]	1.5 [.06]	1.0 [.04]	135°	90°
228A032	19.3 [.76]	14.2 [.56]	8.2 [.32]	4.1 [.16]	29.5 [1.16]	25.7 [1.01]	19.3 [.76]	8.1 [.32]	14.7 [.58]	16.5 [.65]	2.3 [.09]	1.8 [.07]	135°	90°
228A042	23.9 [.94]	17.8 [.70]	11.7 [.46]	5.6 [.22]	39.6 [1.56]	33.0 [1.30]	21.8 [.86]	9.4 [.37]	16.8 [.66]	20.6 [.81]	2.8 [.11]	1.0 [.04]	135°	90°
228A053	30.0 [1.18]	22.4 [.88]	14.7 [.58]	7.1 [.28]	48.0 [1.89]	38.6 [1.52]	24.6 [.97]	12.4 [.49]	17.8 [.70]	28.4 [1.12]	3.6 [.14]	1.3 [.05]	135°	90°
228A064	37.8 [1.49]	28.2 [1.11]	19.1 [.75]	9.1 [.36]	59.2 [2.33]	49.0 [1.93]	31.5 [1.24]	16.5 [.65]	22.9 [.90]	33.0 [1.30]	4.6 [.18]	1.8 [.07]	135°	90°
228A075	47.0 [1.85]	35.1 [1.38]	35.6 [1.40]	16.3 [.64]	81.3 [3.20]	55.1 [2.17]	35.8 [1.41]	30.5 [1.20]	25.4 [1.00]	58.4 [2.30]	4.6 [.18]	3.0 [.12]	135°	90°
228A086	59.4 [2.34]	44.5 [1.75]	43.7 [1.72]	20.8 [.82]	103.1 [4.06]	73.2 [2.88]	45.2 [1.78]	39.9 [1.57]	31.8 [1.25]	72.6 [2.86]	7.1 [.28]	4.8 [.19]	135°	90°
228A097	81.3 [3.20]	57.2 [2.25]	55.6 [2.19]	26.7 [1.05]	133.6 [5.26]	88.9 [3.50]	53.1 [2.09]	48.3 [1.90]	35.6 [1.40]	86.4 [3.40]	9.4 [.37]	5.6 [.22]	135°	90°

RELEASED FOR PUBLICATION

ALL RIGHTS RESERVED.

© COPYRIGHT - TE Connectivity Ltd.

THIS DRAWING IS UNPUBLISHED.

DIMENSIONS: mm [INCHES]	DWN	28JAN2019	MATERIAL	SEE SHEET 2	FINISH	-
	CHK	28JAN2019	TE Connectivity Ltd.			
TOLERANCES UNLESS OTHERWISE SPECIFIED:	APVD	28JAN2019				
	PRODUCT SPEC	-	NAME	BOOT, 90 DEGREE, THICK WALL		
0 PLC ± - 1 PLC ± - 2 PLC ± - 3 PLC ± - 4 PLC ± - ANGLES ± -	APPLICATION SPEC	-	SIZE	CAGE CODE	DRAWING NO	RESTRICTED TO
	WEIGHT	-	A4	00779	C-228A011-XX-0THRU097-XX-0	-
CUSTOMER DRAWING			SCALE	DNS	SHEET	1 OF 2
					REV	L

REVISIONS					
P	LTR	DESCRIPTION	DATE	DWN	APVD
	-	SEE SHEET 1	-	-	-

COMPATABILITY CHART				
MATERIAL DASH NO.	MATERIAL DESCRIPTION	RT SPEC	COATING SLASH NO.	COATING S NO.
-3	Polyolefin, Semi-rigid	RT-301	/42; /86; /180	S1017; S1048; S1030
-4	Polyolefin, Flexible	RT-1304	/42; /86; /180	S1017; S1048; S1030
-25	Elastomer, Fluid Resistant	RW-2070	/42; /86; /225	S1017; S1048; S1206

ORDERING INFORMATION

228A0XX -XX -XX /XX -0

Base part number _____

Material dash number _____
(See Compatability Chart)

Modification number _____

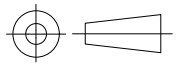
Adhesive slash number _____
(If necessary, see Compatability Chart)

Color designator _____

NOTES

- Dimensions appearing in table are as follows:
 - a - As Supplied
 - b - After Unrestricted Recovery
- Coating is optional. As supplied dimensions appearing in table are for uncoated parts. When coating is added, entry diameters will be reduced by 1.5mm[.06] max.
- Molding ports are optional. When -00 modification number is specified molding ports will be located as shown.
- On sizes 228A011 & 021 the 4.57[.18] dia molding port will be eliminated. The 3.05[.12] dia molding port on top of part will be enlarged to 4.57[.18]dia.

THIS DRAWING IS UNPUBLISHED. ALL RIGHTS RESERVED. © COPYRIGHT - TE Connectivity Ltd.

DIMENSIONS: mm [INCHES]	DWN PRAVEEN N T	28JAN2019	MATERIAL	-	FINISH	-
	CHK N NAGAR	28JAN2019	TE TE Connectivity Ltd.			
TOLERANCES UNLESS OTHERWISE SPECIFIED:	APVD M TAYLOR	28JAN2019				
0 PLC ± -	PRODUCT SPEC	-	NAME BOOT, 90 DEGREE, THICK WALL			
1 PLC ± -	APPLICATION SPEC	-	SIZE	CAGE CODE	DRAWING NO	RESTRICTED TO
2 PLC ± -			A4	00779	228A011-XX-0THRU097-XX-0	-
3 PLC ± -	WEIGHT					
4 PLC ± -						
ANGLES ± -						
			CUSTOMER DRAWING		SCALE	DNS
					SHEET	2 OF 2
					REV	L