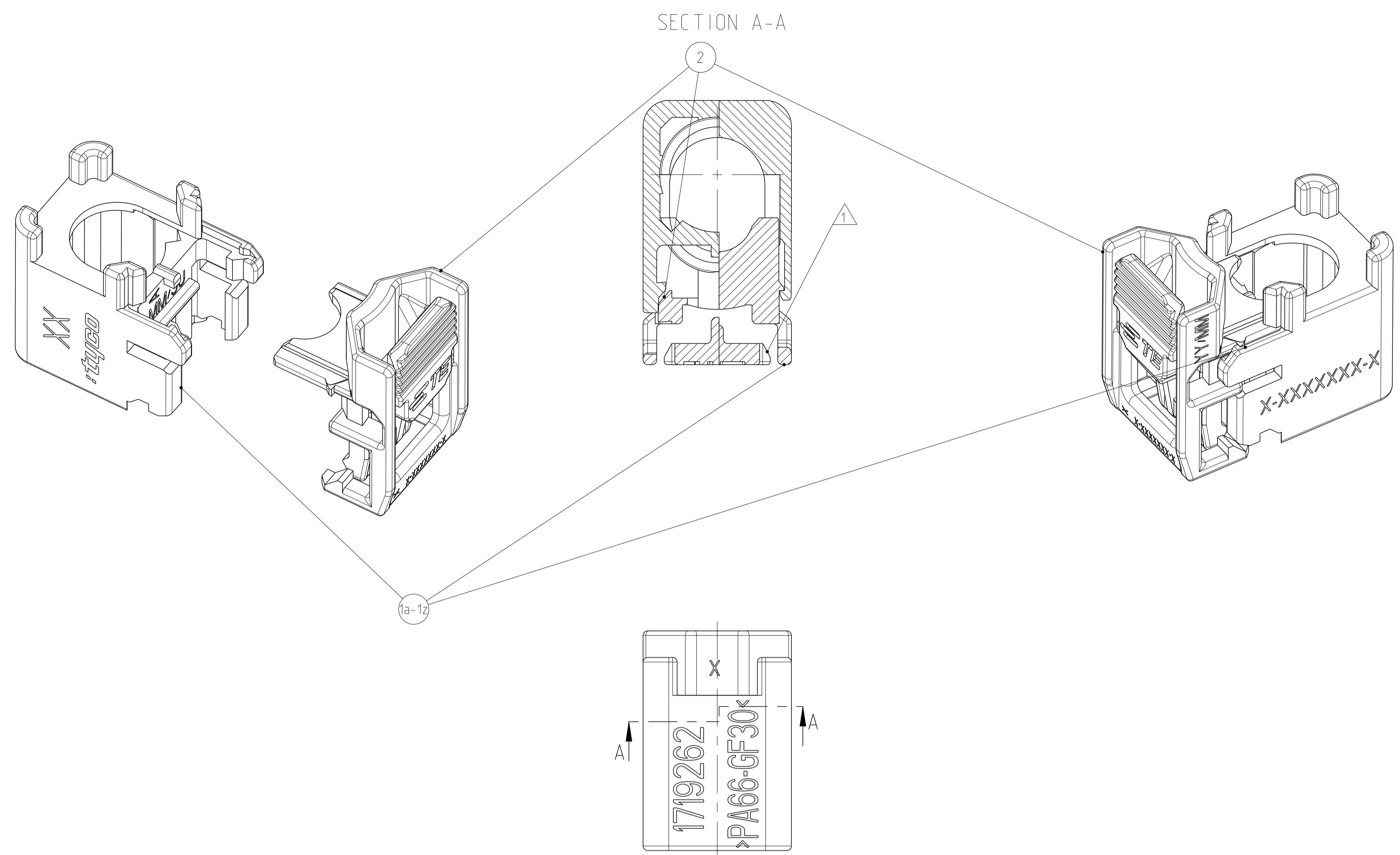
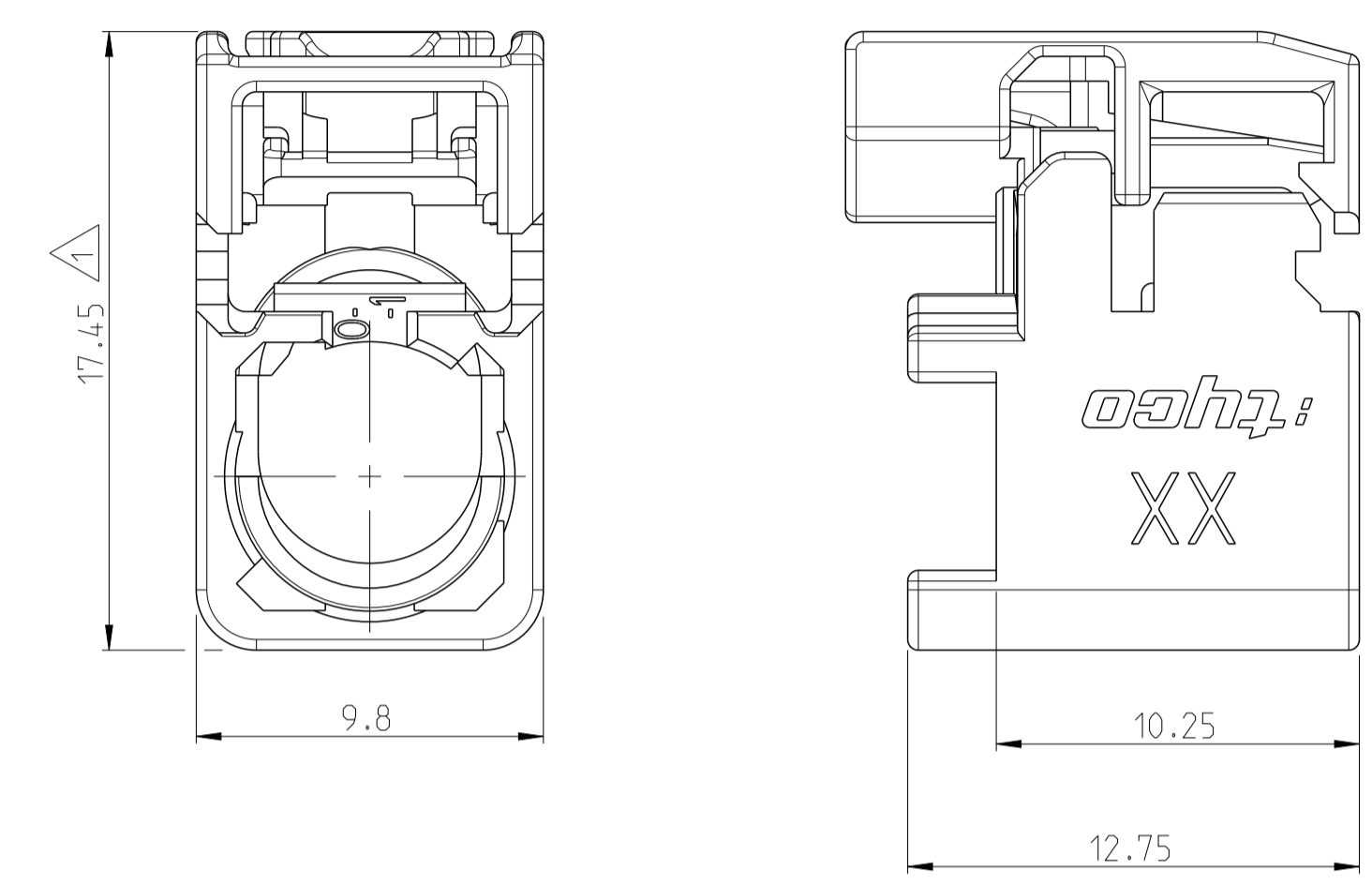


| REVISIONS | | | | |
|-----------|-----|-----------------|-----------|----------|
| P | LTN | DESCRIPTION | DATE | OWN APVD |
| A | | INITIAL RELEASE | 29SEP2014 | RM UG |
| A1 | | E-16-002435 | 18FEB2016 | SN UG |

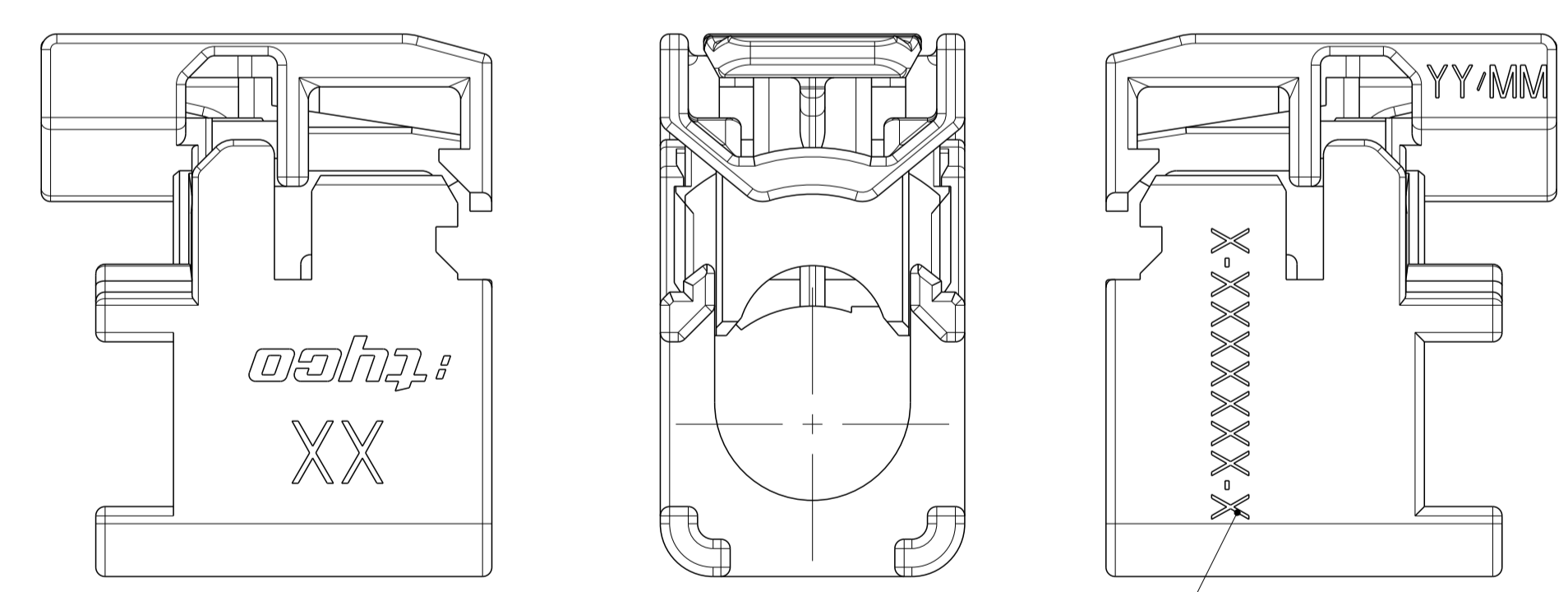


Gehaeuse - Variante fuer 3 feste Positionen des Kabelabganges
 HOUSING VERSIONS FOR 3 FIXED POSITIONS OF CABLE OUTLET



| TE ASSY PN GENERAL | COMPONENT PART NO | CODE | REV | QTY PER ASSY | DESCRIPTION | COLOUR | ITEM NO | SUITABLE FOR | |
|--------------------|-------------------|-------------|-----|--------------|---|--|--------------------|--------------|-----------------------------|
| - | 0-2141495-1 | - | A | 1 | RETAINER, 1 WAY, HF PLUG HOUSING KONTAKTSICHERUNG, 1POL, STECKERGEHAEUSE | natural | 2 | | |
| A1 | 3-2287956-4 | 3-1719262-4 | N | A | 1 | Steckergeh.(Buchse), 1pol., 90 Grad, Coax FAKRA 2 PLUG HSG (FEMALE), 1WAY, 90 D | pastel green/6019 | 1n | 1-1670861-4/ 1-1452581-4 |
| A1 | 3-2287956-3 | 3-1719262-3 | M | A | 1 | Steckergeh.(Buchse), 1pol., 90 Grad, Coax FAKRA 2 PLUG HSG (FEMALE), 1WAY, 90 D | pastel orange/2003 | 1m | 1-1670861-3/ 1-1452581-3 |
| | 3-2287956-2 | 3-1719262-2 | L | A | 1 | Steckergeh.(Buchse), 1pol., 90 Grad, Coax FAKRA 2 PLUG HSG (FEMALE), 1WAY, 90 D | carmine red/3002 | 1l | 1-1670861-2/ 1-1452581-2 |
| | 3-2287956-1 | 3-1719262-1 | Z | A | 1 | Steckergeh.(Buchse), 1pol., 90 Grad, Coax FAKRA 2 PLUG HSG (FEMALE), 1WAY, 90 D | water blue/5021 | 1z | x-1670861-y/ x-1452581-y |
| | 3-2287956-0 | 3-1719262-0 | K | A | 1 | Steckergeh.(Buchse), 1pol., 90 Grad, Coax FAKRA 2 PLUG HSG (FEMALE), 1WAY, 90 D | curry/1027 | 1k | 1-1670861-0/ 1-1452581-0 |
| | 2-2287956-9 | 2-1719262-9 | I | A | 1 | Steckergeh.(Buchse), 1pol., 90 Grad, Coax FAKRA 2 PLUG HSG (FEMALE), 1WAY, 90 D | beige/1001 | 1i | 0-1670861-9/ 0-1452581-9 |
| | 2-2287956-8 | 2-1719262-8 | H | A | 1 | Steckergeh.(Buchse), 1pol., 90 Grad, Coax FAKRA 2 PLUG HSG (FEMALE), 1WAY, 90 D | violet/4003 | 1h | 0-1670861-8/ 0-1452581-8 |
| | 2-2287956-7 | 2-1719262-7 | G | A | 1 | Steckergeh.(Buchse), 1pol., 90 Grad, Coax FAKRA 2 PLUG HSG (FEMALE), 1WAY, 90 D | blue grey/7031 | 1g | 0-1670861-7/ 0-1452581-7 |
| | 2-2287956-6 | 2-1719262-6 | F | A | 1 | Steckergeh.(Buchse), 1pol., 90 Grad, Coax FAKRA 2 PLUG HSG (FEMALE), 1WAY, 90 D | brown/8011 | 1f | 0-1670861-6/ 0-1452581-6 |
| | 2-2287956-5 | 2-1719262-5 | E | A | 1 | Steckergeh.(Buchse), 1pol., 90 Grad, Coax FAKRA 2 PLUG HSG (FEMALE), 1WAY, 90 D | green/6002 | 1e | 0-1670861-5/ 0-1452581-5 |
| | 2-2287956-4 | 2-1719262-4 | D | A | 1 | Steckergeh.(Buchse), 1pol., 90 Grad, Coax FAKRA 2 PLUG HSG (FEMALE), 1WAY, 90 D | claret violet/4004 | 1d | 0-1670861-4/ 0-1452581-4 |
| | 2-2287956-3 | 2-1719262-3 | C | A | 1 | Steckergeh.(Buchse), 1pol., 90 Grad, Coax FAKRA 2 PLUG HSG (FEMALE), 1WAY, 90 D | blue/5005 | 1c | 0-1670861-3/ 0-1452581-3 |
| | 2-2287956-2 | 2-1719262-2 | B | A | 1 | Steckergeh.(Buchse), 1pol., 90 Grad, Coax FAKRA 2 PLUG HSG (FEMALE), 1WAY, 90 D | cream/9001 | 1b | 0-1670861-2/ 0-1452581-2 |
| | 2-2287956-1 | 2-1719262-1 | A | A | 1 | Steckergeh.(Buchse), 1pol., 90 Grad, Coax FAKRA 2 PLUG HSG (FEMALE), 1WAY, 90 D | Black/9005 | 1a | 0-1670861-1/ 0-1452581-1 |

Gehaeuse Variante fuer 3 feste Positionen des Kabelabganges
 HOUSING VERSION FOR 3 FIXED POSITIONS OF CABLE OUTLET

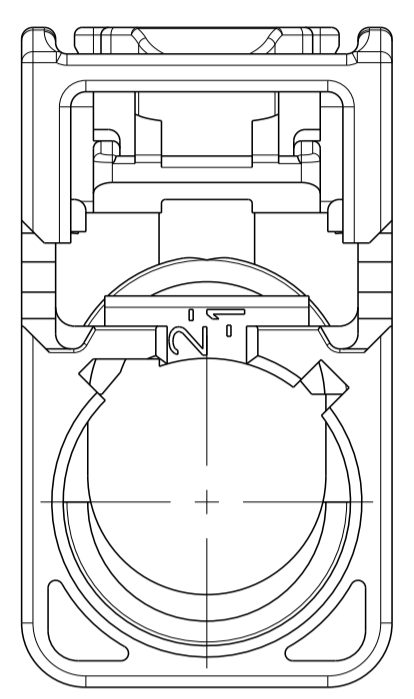


- NOTES
Bemerkungen
- 1 Auslieferungszustand: Kontaktsicherung in Vorraststellung
DELIVERY CONDITION: RETAINER IN PRE-LOCKING CONDITION
 - 2 Verpackt als Schuetftgut
BULK PACKAGED
 - 3 Dargestellt ist die Gehaeuse-Variante fuer 3 feste Positionen des Kabelabganges mit Kodierung Z
HOUSING VERSION FOR 3 FIXED POSITIONS OF CABLE OUTLET WITH KEY Z AS SHOWN
 - 4 Fuer alle anderen Kodierungen siehe Blatt 2
FOR ALL OTHER KEY CODINGS SEE SHEET 2
 - 5 TE Assy Teile Nr. Allgemein. Siehe tabelle
TE ASSY PART NO. GENERAL. SEE TABLE
 - 6 Im gesteckten zustand sollen die Elektrischen und Mechanischen anforderungen nach FAKRA und IEC 169-10 erfuehlt werden
THE CONNECTION HAS TO FULFIL THE MECHANICAL AND ELECTRICAL REQUIREMENTS OF FAKRA AND IEC 169-10
 - 7 Passende Kontakt-Bausaetze: TE PN 0-1719252-1/0-1719655-1
APPLICABLE CONTACT KITS: TE PN 0-1719252-1/0-1719655-1

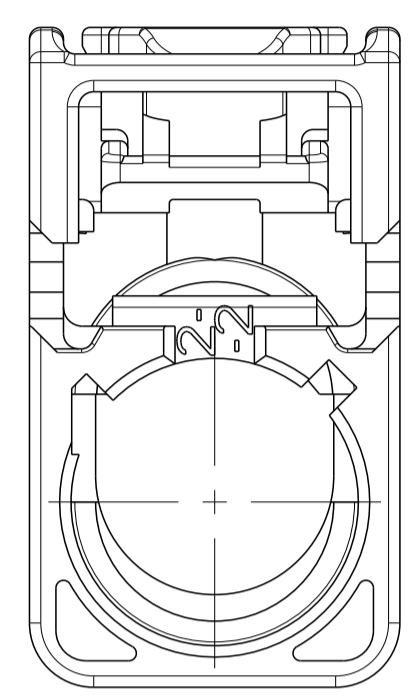
| | | | | |
|---|--|--|------------------------|--|
| THIS DRAWING IS A CONTROLLED DOCUMENT. | | OWN: Raghavendra N CHK: S Nagel | 29SEP2014 30SEP2014 | TE Connectivity NAME: PLUG HSG ASSY, 1 WAY, 90 DEG. COAX FAKRA2 STECKERGEH.(BUCHSE)ZUSAMMENBAU, 1POL, 90 GRAD, COAX FAKRA2 |
| DIMENSIONS: mm | | TOLERANCES UNLESS OTHERWISE SPECIFIED: | APVD: 30SEP2014 | |
| 0 PLC ±0.3 1 PLC ±0.3 2 PLC ±0.3 3 PLC ±0.3 4 PLC ±0.3 ANGLES ±° | | APPLICATION SPEC | | RESTRICTED TO |
| MATERIAL | | WEIGHT | | SIZE: A1 CAGE CODE: 00779 DRAWING NO: C=2287956 |
| Customer Drawing | | SCALE: 5:1 | | SHEET 1 OF 2 REV: A1 |

| REVISIONS | | | | |
|-----------|-----|-------------|------|------|
| P. | LTN | DESCRIPTION | DATE | APVD |
| - | | SEE SHEET 1 | - | - |
| | | | | |
| | | | | |

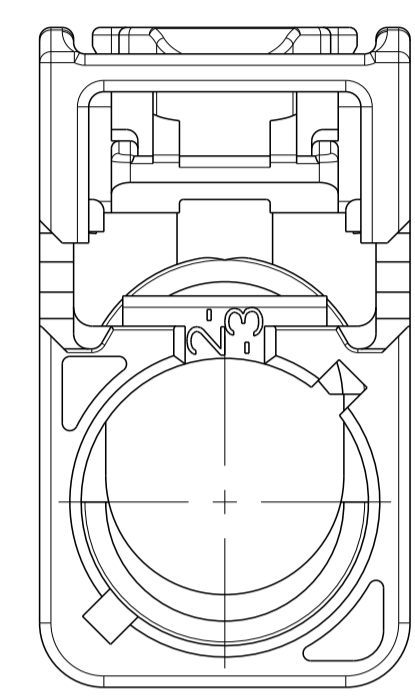
KODIERUNGEN
 CODINGS
 SCALE 5:1
 DARGESTELLT IST DIE GEHAEUSE-VARIANTE FUER FESTE POL. KABELABGANGES
 HOUSING VERSION FOR 3 FIXED POSITIONS OF CABLE OUTLET



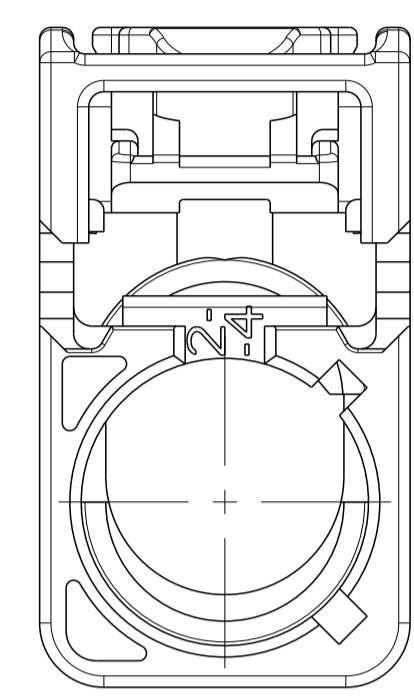
CODE A
2--1



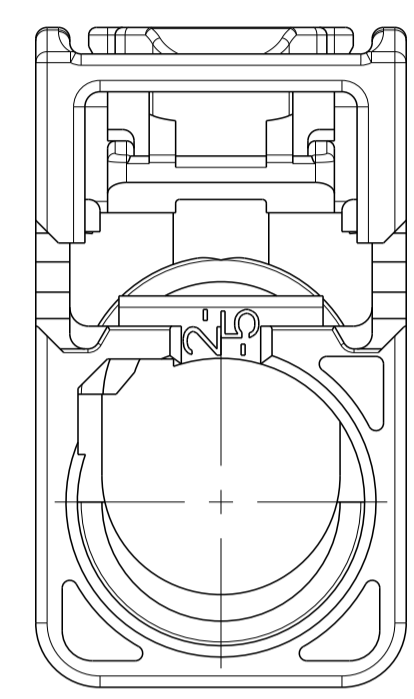
CODE B
2--2



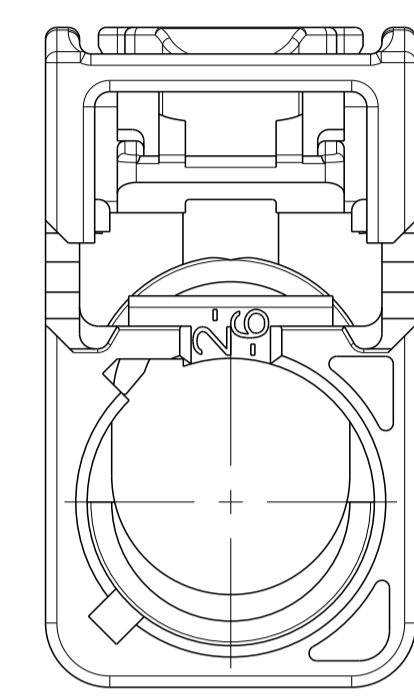
CODE C
2--3



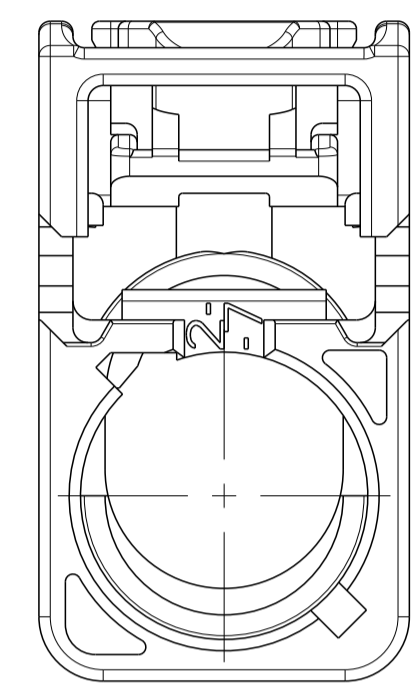
CODE D
2--4



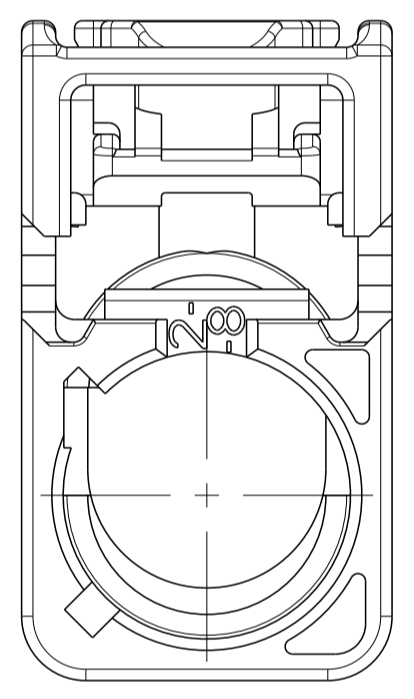
CODE E
2--5



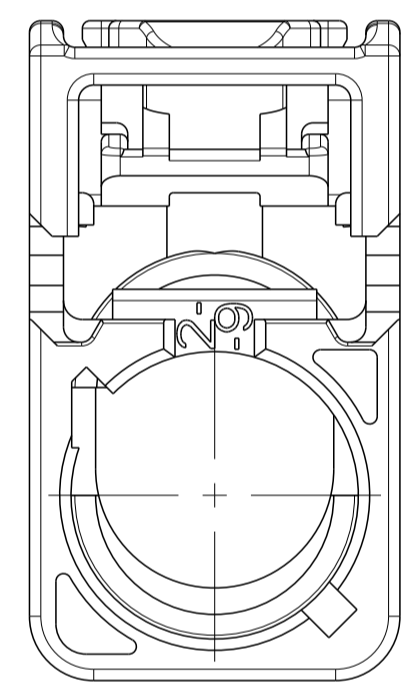
CODE F
2--6



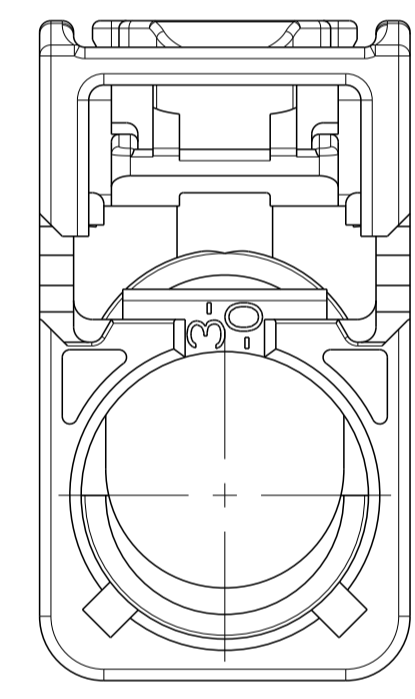
CODE G
2--7



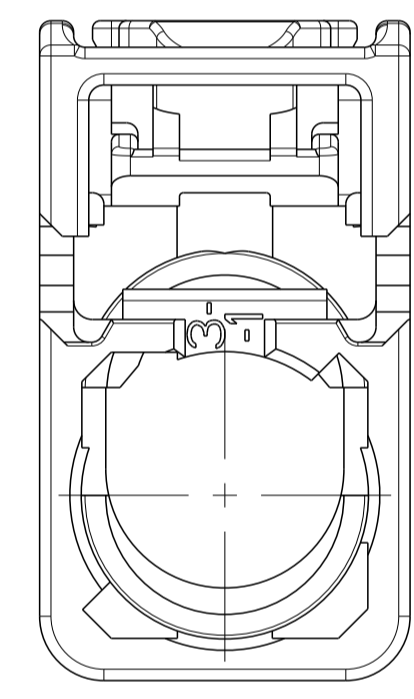
CODE H
2--8



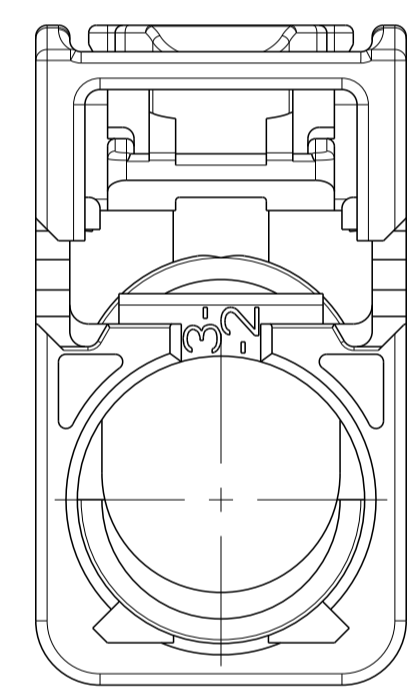
CODE I
2--9



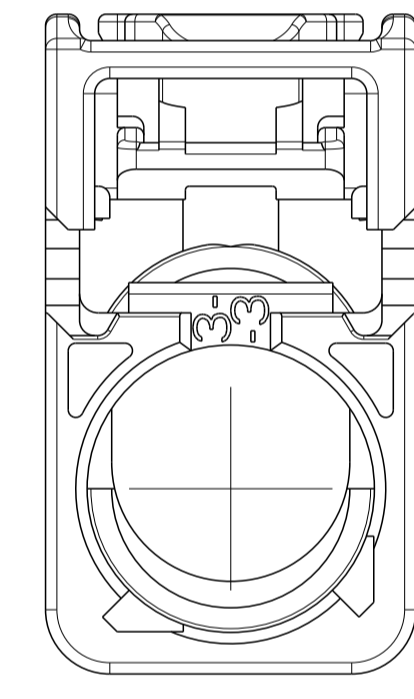
CODE K
3--0



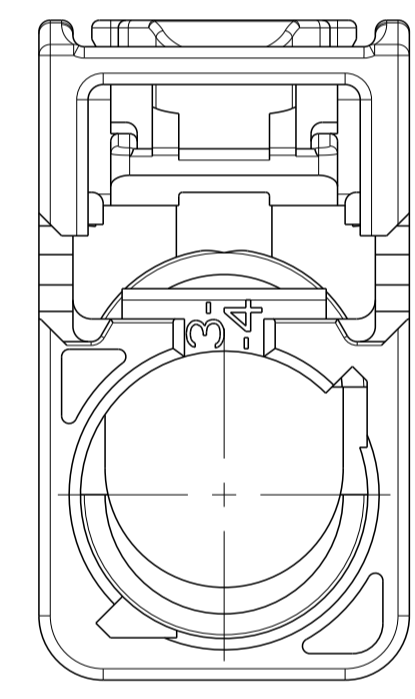
CODE Z
3--1



CODE L
3--2
A1



CODE M
3--3



CODE N
3--4
A1

| | | | | | | | |
|--|---|--|-------------------------------------|------------------|--|------------------|-----------------------|
| THIS DRAWING IS A CONTROLLED DOCUMENT. | | OWN: Raghavendra N CHK: S. Nagel APVD: U. Gassauer | 30SEP2014 30SEP2014 30SEP2014 | | NAME: PLUG HSG ASSY.1 WAY.90 DEG. COAX FAKRA2 STECKERGEH.(BUCHSE)ZUSAMMENBAU.1POL.90 GRAD.COAX FAKRA2 | | |
| DIMENSIONS: | TOLERANCES UNLESS OTHERWISE SPECIFIED: | PRODUCT SPEC | APPLICATION SPEC | | SIZE: A1 | CAGE CODE: 00779 | DRAWING NO: C=2287956 |
| mm | 0 PLC ±0.3 1 PLC ±0.3 2 PLC ±0.3 3 PLC ±0.3 4 PLC ±0.3 ANGLES ±° FINISH ±μm | WEIGHT: - | MATERIAL: - | Customer Drawing | SCALE: 5:1 | SHEET: 2 OF 2 | REV: A1 |