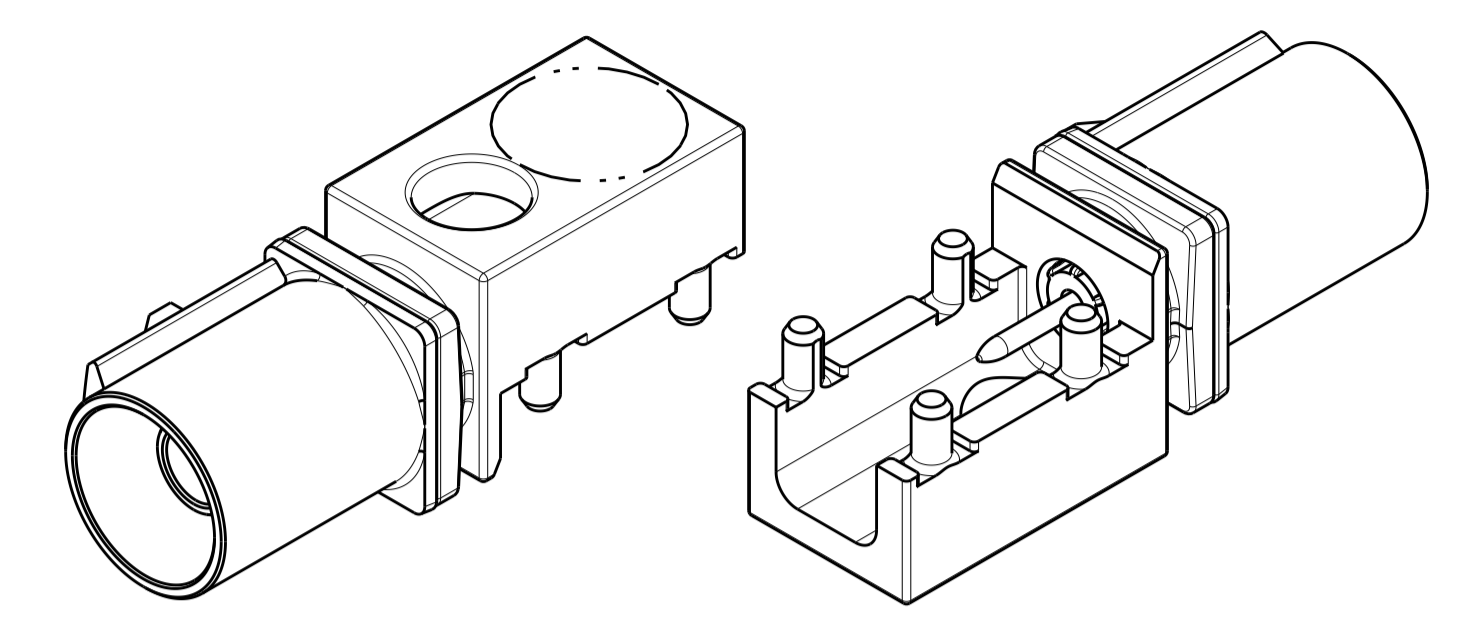
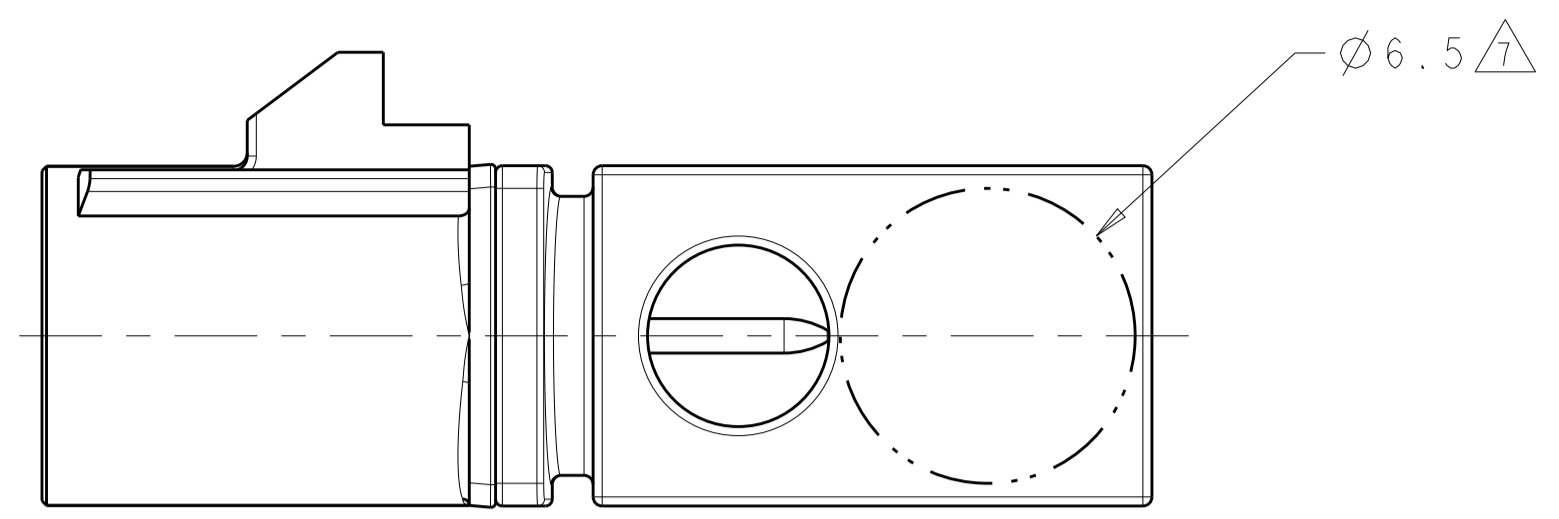
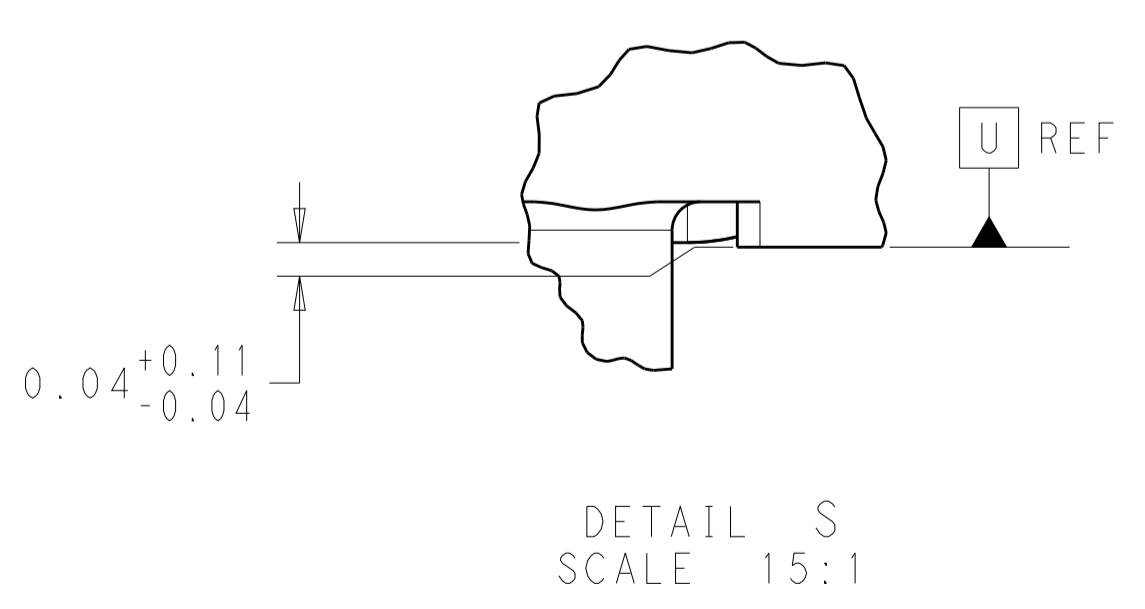
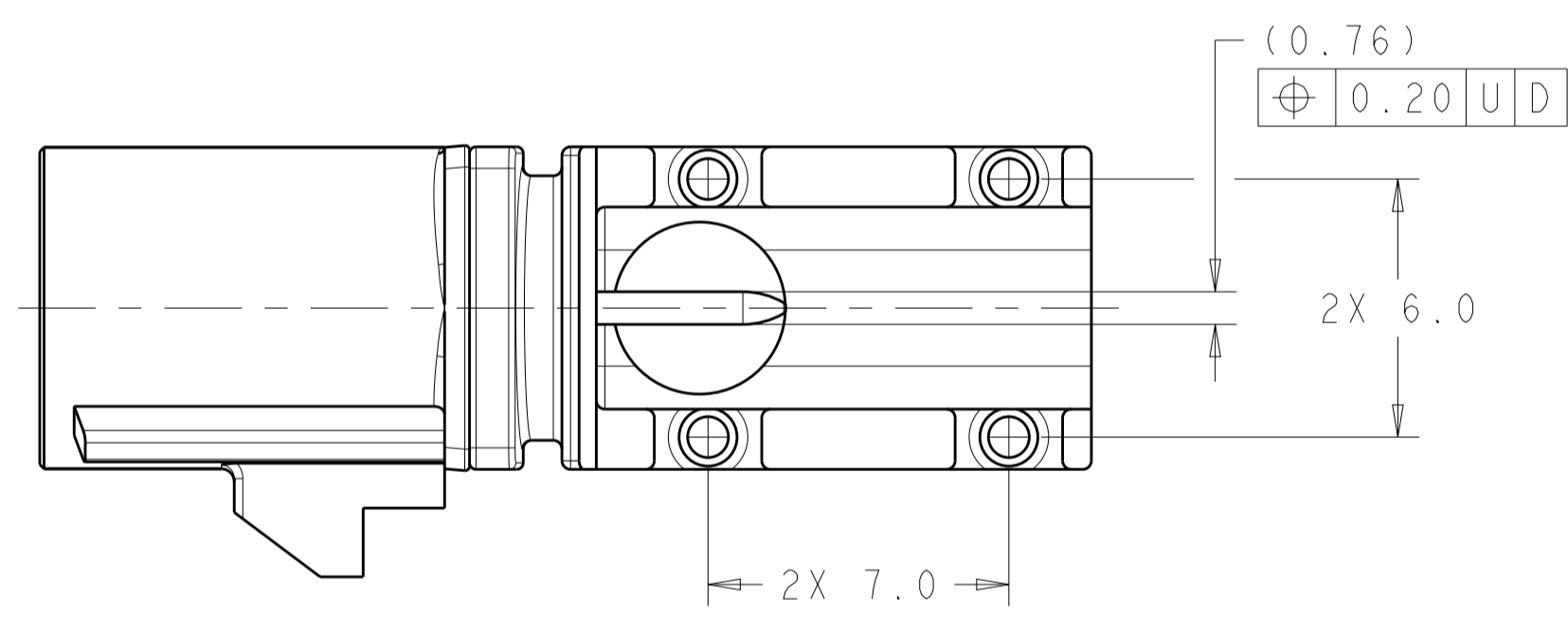
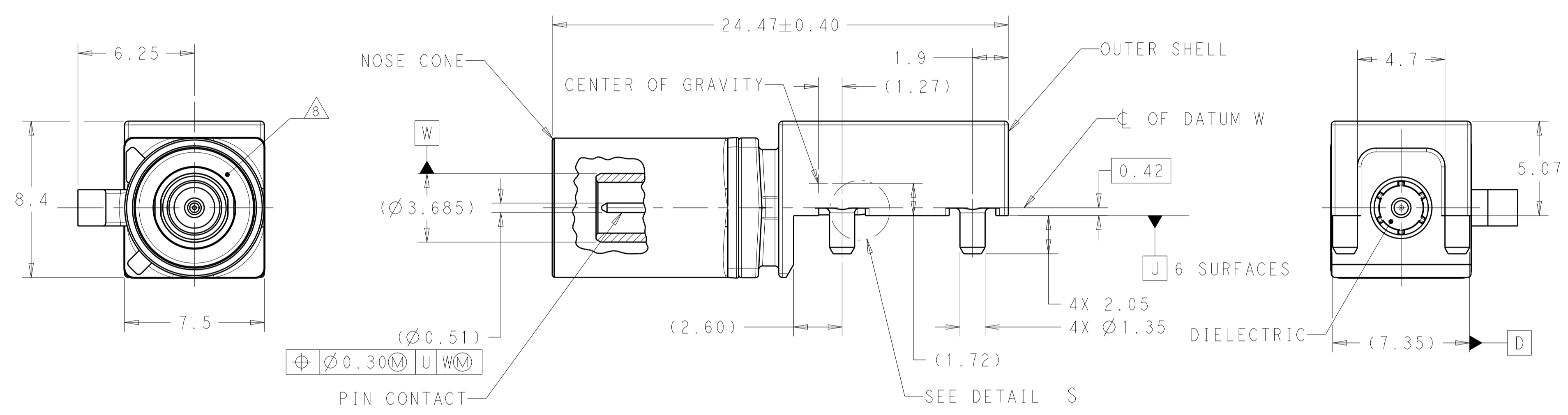


LOC		DIST		REVISIONS			
P	LTN	DESCRIPTION	DATE	DMN	APVD		
E1		REVISED	25APR2016	ERL	ERL		
F		REVISED	24JUN2016	JAB	ERL		
F1		RELEASED	22NOV2016	ERL	ERL		
F2		ECO-20-000275	27JAN2020	KP	MB		



ISOMETRIC VIEWS
SCALE 4:1



DETAIL S
SCALE 15:1

- 1 NOSE CONE - NYLON, COLOR: SEE TABLE, 25% GLASS FILLED.
DIELECTRIC - POLYESTER PCT, NATURAL, 30% GLASS FILLED.
PIN CONTACT - BRASS.
OUTER SHELL - ZINC.
- 2 PIN CONTACT - 0.38µm MIN GOLD ON INTERFACE END,
2.5µm MIN TIN ON SOLDER END,
BOTH OVER 1.3µm MIN NICKEL.
OUTER SHELL - 2.0µm MIN TIN OVER 1.52µm MIN NICKEL,
BOTH OVER 2.54µm MIN COPPER.
- 3 REMOVED
- 4 MINIMUM SIGNAL PAD FOR SOLDER.
- 5 MINIMUM RECOMMENDED GROUND PLANE.
- 6 SIGNAL DIMENSION TRACE RECOMMENDED FOR OPTIMUM SIGNAL PERFORMANCE.
- 7 VACUUM PICKUP AREA.
- 8 MALE INTERFACE PER SAE/USCAR-18 REVISION 3, ROAD VEHICLES 50 Ohm RADIO FREQUENCY INTERFACE.
- 9 REELING VIEW FOR REFERENCE ONLY TO SHOW UNREELING DIRECTION

2	TAPE AND REEL	PER DETAIL Z	WATER BLUE	Z	7-2287908-0
		PER DETAIL N	PASTEL GREEN	N	6-2287908-3
		PER DETAIL M	PASTEL ORANGE	M	6-2287908-2
		PER DETAIL L	CARMINE RED	L	6-2287908-1
		PER DETAIL K	CURRY	K	6-2287908-0
		PER DETAIL I	BEIGE	I	5-2287908-9
		PER DETAIL H	HEATHER VIOLET	H	5-2287908-8
		PER DETAIL G	BLUE GREY	G	5-2287908-7
		PER DETAIL F	NUT BROWN	F	5-2287908-6
		PER DETAIL E	LEAF GREEN	E	5-2287908-5
		PER DETAIL D	CLARET VIOLET	D	5-2287908-4
		PER DETAIL C	SIGNAL BLUE	C	5-2287908-3
		PER DETAIL B	CREAM	B	5-2287908-2
		PER DETAIL A	JET BLACK	A	5-2287908-1
		PER DETAIL Z	WATER BLUE	Z	2-2287908-0
		PER DETAIL N	PASTEL GREEN	N	1-2287908-3
		PER DETAIL M	PASTEL ORANGE	M	1-2287908-2
		PER DETAIL L	CARMINE RED	L	1-2287908-1
		PER DETAIL K	CURRY	K	1-2287908-0
PER DETAIL I	BEIGE	I	2287908-9		
PER DETAIL H	HEATHER VIOLET	H	2287908-8		
PER DETAIL G	BLUE GREY	G	2287908-7		
PER DETAIL F	NUT BROWN	F	2287908-6		
PER DETAIL E	LEAF GREEN	E	2287908-5		
PER DETAIL D	CLARET VIOLET	D	2287908-4		
PER DETAIL C	SIGNAL BLUE	C	2287908-3		
PER DETAIL B	CREAM	B	2287908-2		
PER DETAIL A	JET BLACK	A	2287908-1		
FINISH	PACKAGING	CODING DETAIL	NOSE CONE COLOR	CODING REF	PART NUMBER

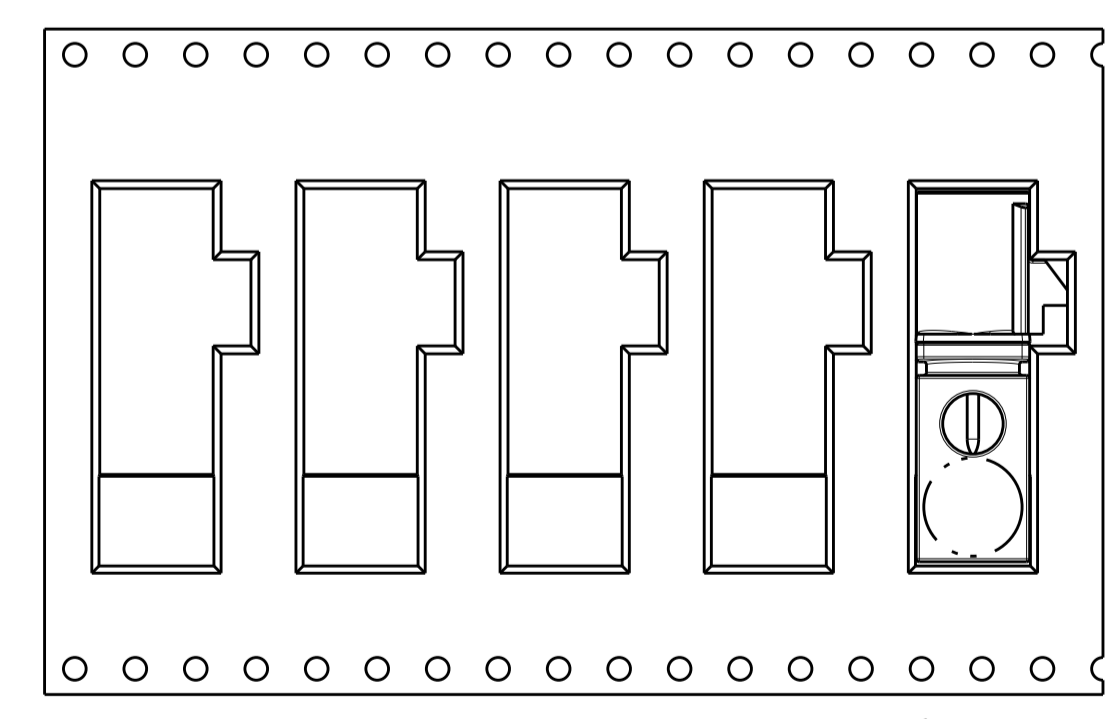
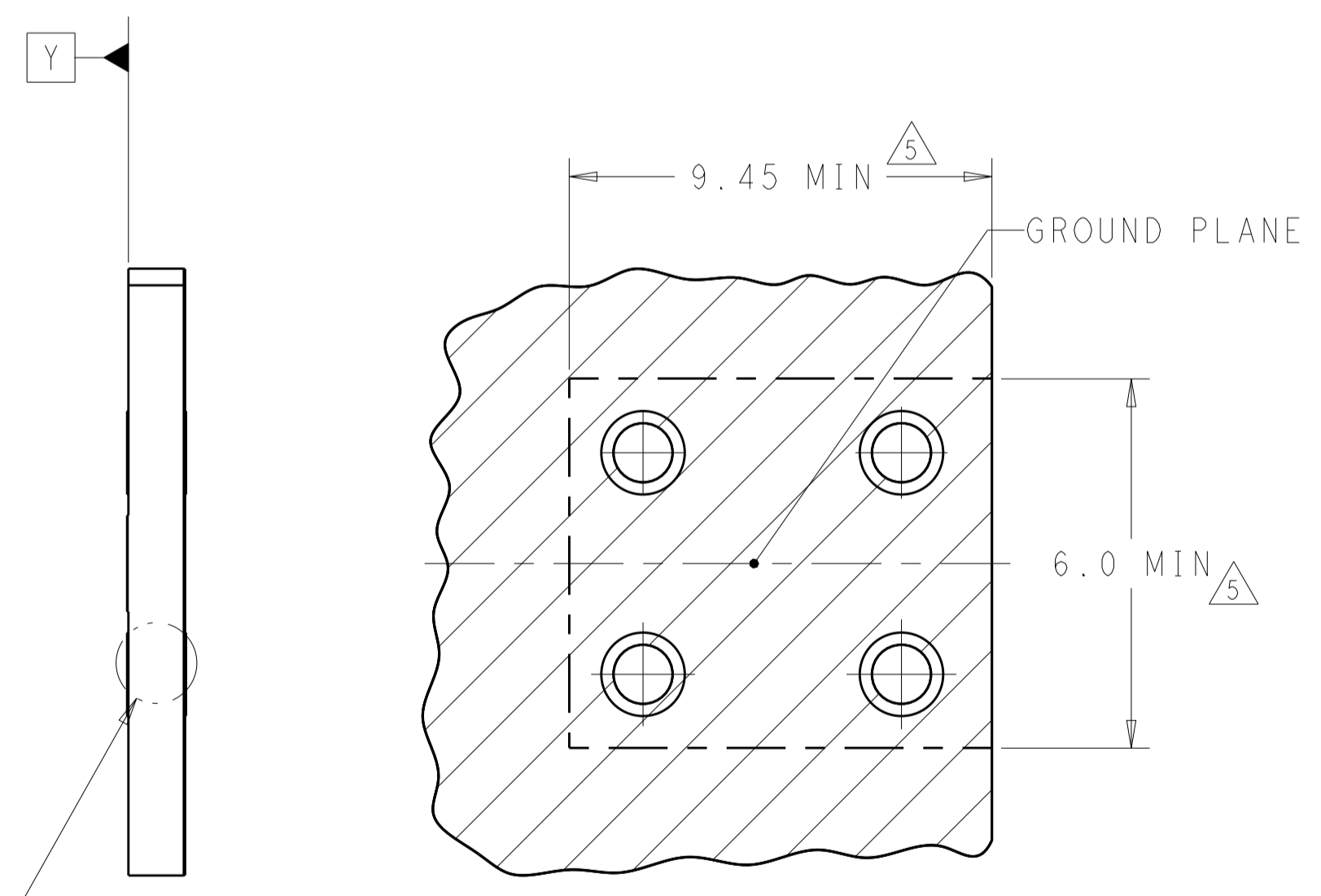
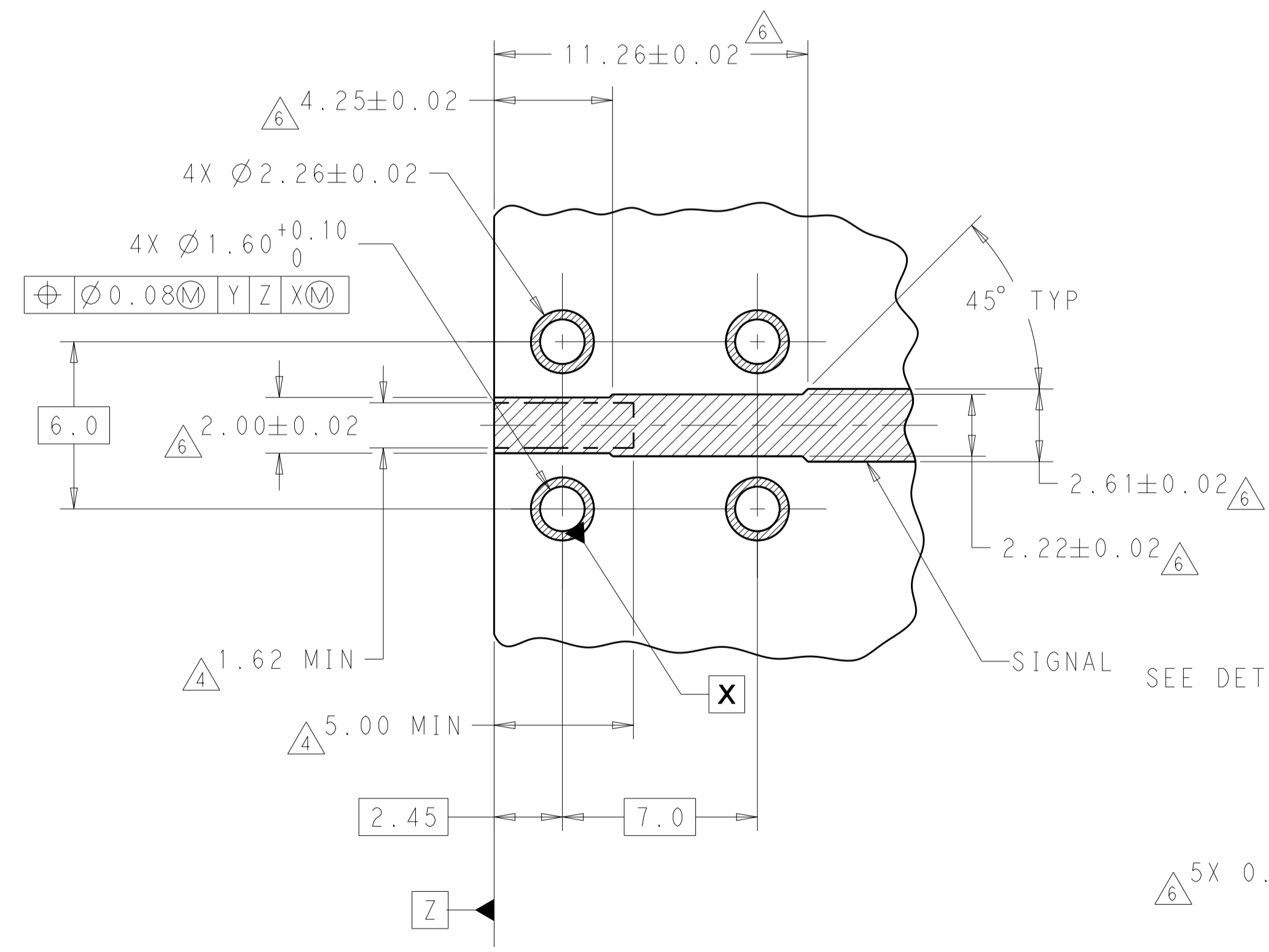
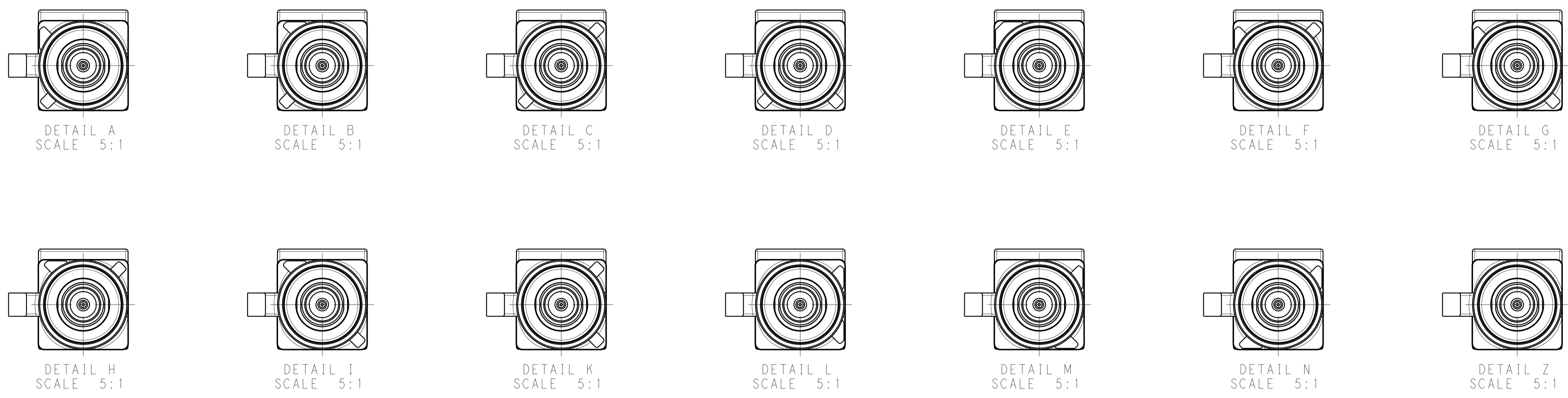
THIS DRAWING IS A CONTROLLED DOCUMENT.

DIMENSIONS:	TOLERANCES UNLESS OTHERWISE SPECIFIED:	DMN J.A.BAKER 08OCT2014	CHK D.J.LANE 08OCT2014	APVD D.J.LANE 08OCT2014	NAME
mm	0 PLC ±0.2	PRODUCT SPEC			MALE ASSEMBLY, 1 POSITION, 9 O'CLOCK, EDGE MOUNT, PCB, FAKRA
	1 PLC ±0.2	APPLICATION SPEC			SIZE CAGE CODE DRAWING NO RESTRICTED TO
	3 PLC ±0.08	114-32108			A100779C=2287908
	4 PLC ±0.1	WEIGHT 3.07g			SCALE 6:1 SHEET 1 OF 2 REV F2
	ANGLES ±0.1	CUSTOMER DRAWING			
MATERIAL	SEE TABLE				

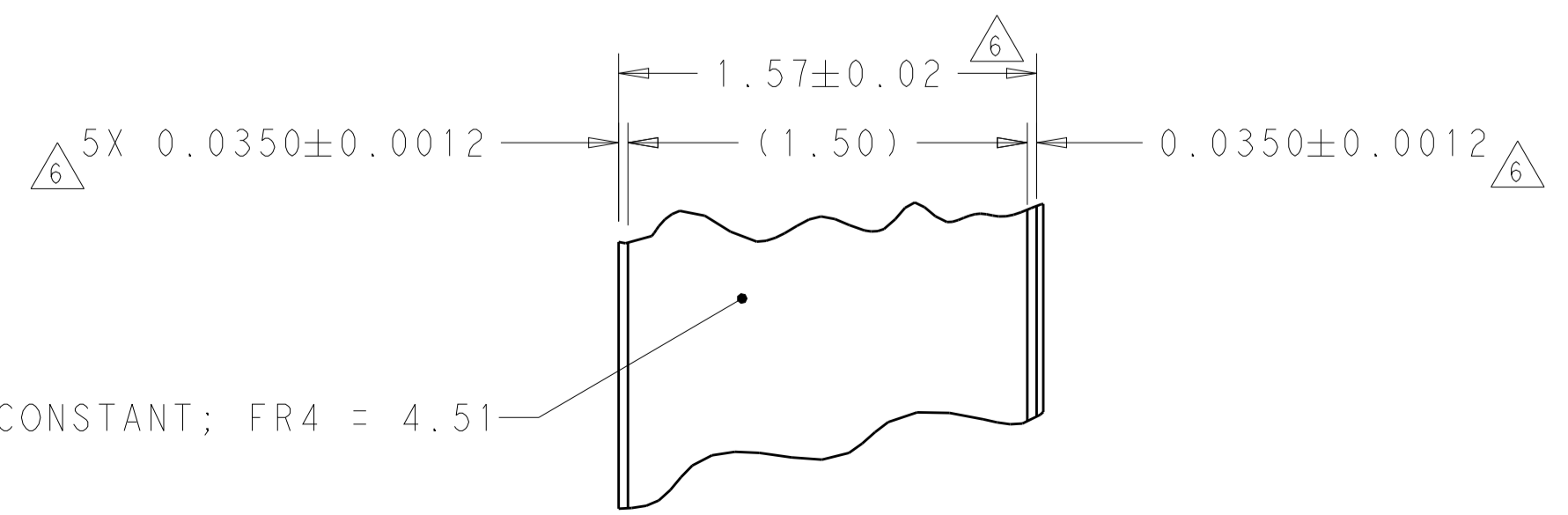
STE TE Connectivity

LOC	DIST	REV	DATE	BY	APPV
IN	00				
REVISIONS					

CODINGS



DIRECTION OF UNREELING
SCALE 2:1



△ MATERIAL DIELECTRIC CONSTANT; FR4 = 4.51

DETAIL A
SCALE 40:1

THIS DRAWING IS A CONTROLLED DOCUMENT.		DWN: J.A. BAKER 08OCT2014	TE Connectivity
DIMENSIONS: mm		CHK: D.J. LANE 08OCT2014	
TOLERANCES UNLESS OTHERWISE SPECIFIED:		APVD: D.J. LANE 08OCT2014	NAME: MALE ASSEMBLY, 1 POSITION, 9 O'CLOCK, EDGE MOUNT, PCB, FAKRA
0 PLC	±	PRODUCT SPEC	SIZE: CAGE CODE DRAWING NO
1 PLC	±0.2	108-32058	RESTRICTED TO
2 PLC	±0.08	APPLICATION SPEC	
3 PLC	±	114-32108	
4 PLC	±	WEIGHT: 3.07g	
ANGLES	±	A100779C=2287908	
MATERIAL:	SEE TABLE	CUSTOMER DRAWING	SCALE: 6:1 SHEET 2 OF 2 REV: F2