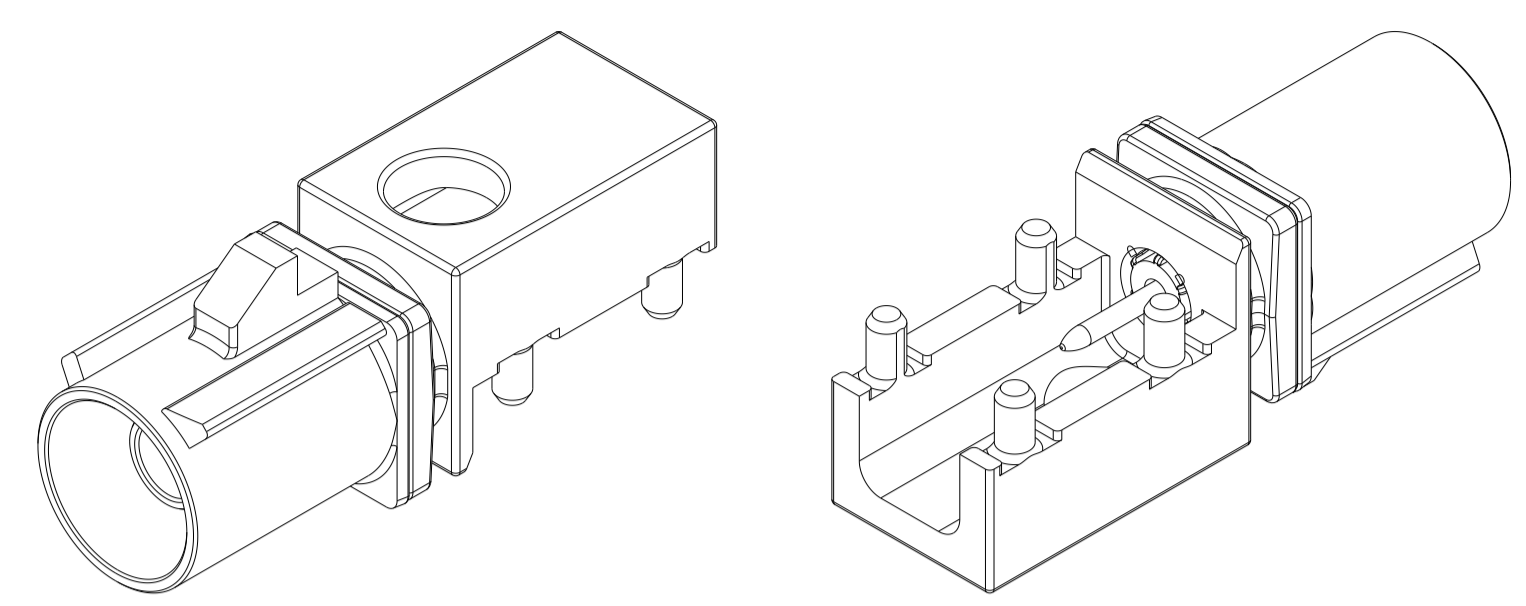
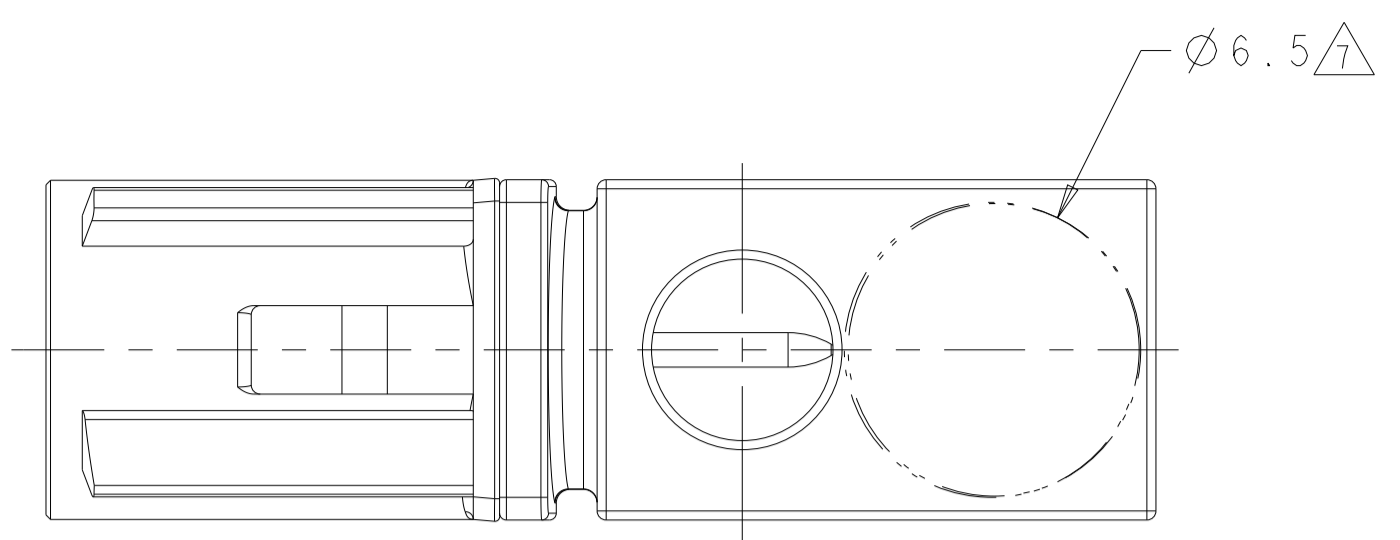
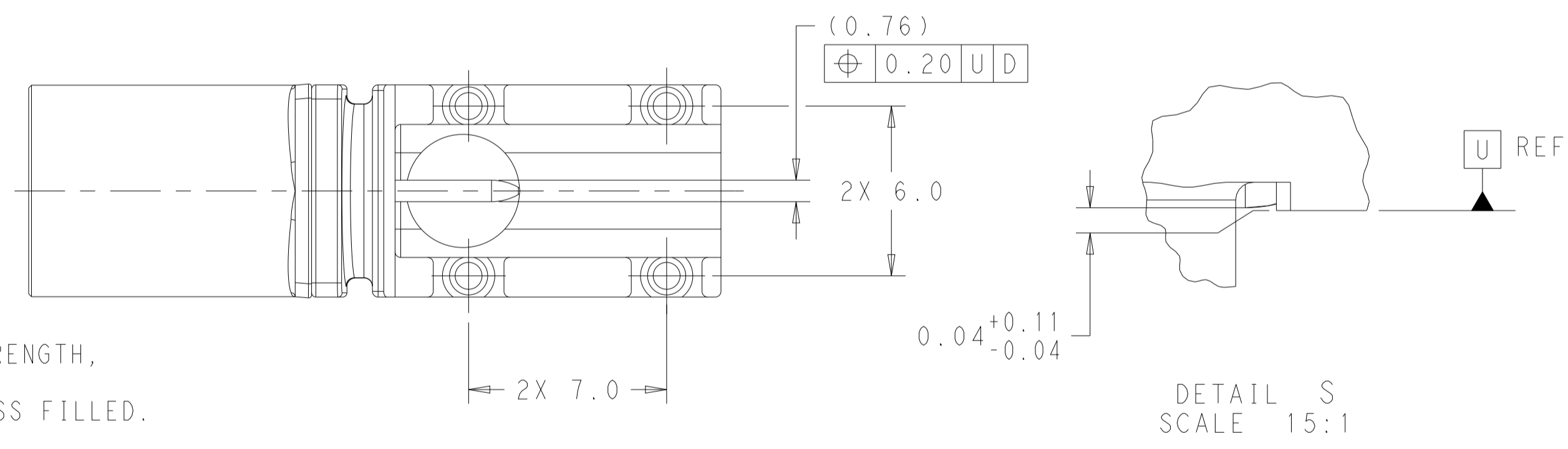
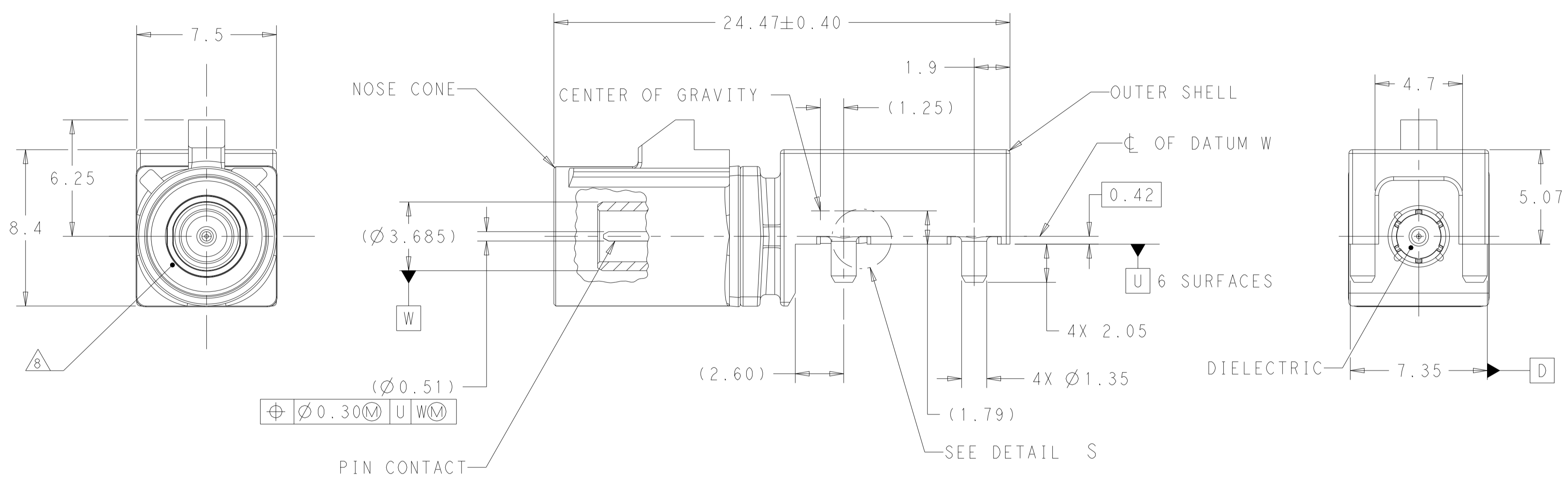


REVISIONS					
P	LTN	DESCRIPTION	DATE	DWN	APVD
H		REVISED PER ECO-16-009531	24JUN2016	JAB	ERL
H1		REVISED PER ECO-20-000275	27JAN2020	KP	MB
H2		REVISED PER ECO-20-008977	26JUN2020	JMS	MB
H3		REVISED PER ECN-22-191457	22DEC2022	SR	AP



ISOMETRIC VIEWS
SCALE 4:1



1 NOSE CONE - NYLON WITH INCREASED WELDLINE STRENGTH, COLOR: SEE TABLE, 30% GLASS FILLED.
DIELECTRIC - POLYESTER PCT, NATURAL, 30% GLASS FILLED.
PIN CONTACT - BRASS.
OUTER SHELL - ZINC.

2 PIN CONTACT - 0.38µm MIN GOLD ON INTERFACE END, 2.5µm MIN TIN ON SOLDER END, BOTH OVER 1.3µm MIN NICKEL.
OUTER SHELL - 3.0µm MIN TIN OVER 2.0µm MIN NICKEL, BOTH OVER 10.0µm MIN COPPER.

- 3 REMOVED
- 4 MINIMUM SIGNAL PAD FOR SOLDER.
- 5 MINIMUM RECOMMENDED GROUND PLANE.
- 6 SIGNAL DIMENSION TRACE RECOMMENDED FOR OPTIMUM SIGNAL PERFORMANCE.
- 7 VACUUM PICKUP AREA.
- 8 MALE INTERFACE PER SAE/USCAR-18 REVISION 3, ROAD VEHICLES 50 Ohm RADIO FREQUENCY INTERFACE.
- 9 REELING VIEW FOR REFERENCE ONLY TO SHOW UNREELING DIRECTION

FINISH	PACKAGING	CODING DETAIL	NOSE CONE COLOR	CODING REF	PART NUMBER
1	TAPE AND REEL	PER DETAIL Z	WATER BLUE	Z	7-2287906-0
		PER DETAIL N	PASTEL GREEN	N	6-2287906-3
		PER DETAIL M	PASTEL ORANGE	M	6-2287906-2
		PER DETAIL L	CARMINE RED	L	6-2287906-1
		PER DETAIL K	CURRY	K	6-2287906-0
		PER DETAIL I	BEIGE	I	5-2287906-9
		PER DETAIL H	HEATHER VIOLET	H	5-2287906-8
		PER DETAIL G	BLUE GREY	G	5-2287906-7
		PER DETAIL F	NUT BROWN	F	5-2287906-6
		PER DETAIL E	LEAF GREEN	E	5-2287906-5
		PER DETAIL D	CLARET VIOLET	D	5-2287906-4
		PER DETAIL C	SIGNAL BLUE	C	5-2287906-3
		PER DETAIL B	CREAM	B	5-2287906-2
		PER DETAIL A	JET BLACK	A	5-2287906-1
		PER DETAIL Z	WATER BLUE	Z	2-2287906-0
		PER DETAIL N	PASTEL GREEN	N	1-2287906-3
		PER DETAIL M	PASTEL ORANGE	M	1-2287906-2
		PER DETAIL L	CARMINE RED	L	1-2287906-1
PER DETAIL K	CURRY	K	1-2287906-0		
PER DETAIL I	BEIGE	I	2287906-9		
PER DETAIL H	HEATHER VIOLET	H	2287906-8		
PER DETAIL G	BLUE GREY	G	2287906-7		
PER DETAIL F	NUT BROWN	F	2287906-6		
PER DETAIL E	LEAF GREEN	E	2287906-5		
PER DETAIL D	CLARET VIOLET	D	2287906-4		
PER DETAIL C	SIGNAL BLUE	C	2287906-3		
PER DETAIL B	CREAM	B	2287906-2		
PER DETAIL A	JET BLACK	A	2287906-1		

THIS DRAWING IS A CONTROLLED DOCUMENT.

OWN: J.A. BAKER 30SEP2014
CHK: D.J. LANE 30SEP2014
APVD: D.J. LANE 30SEP2014

DIMENSIONS: mm
TOLERANCES UNLESS OTHERWISE SPECIFIED:
0 PLC ±0.1
1 PLC ±0.2
2 PLC ±0.08
3 PLC ±0.15
4 PLC ±0.25
ANGLES ±0.5

MATERIAL: 1
FINISH: SEE TABLE

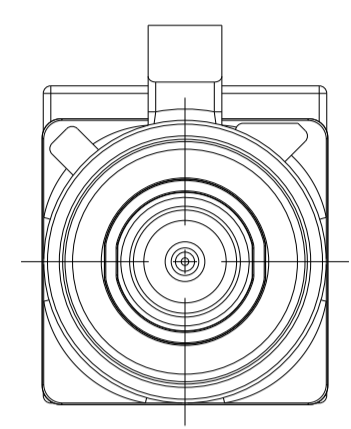
WEIGHT: 3.07g
CUSTOMER DRAWING

NAME: MALE ASSEMBLY, 1 POSITION, 12 O'CLOCK, EDGE MOUNT, PCB, FAKRA
SIZE: 114-32108
CAGE CODE: 114-32108
DRAWING NO: 114-32108
SCALE: 6:1
SHEET 1 OF 2
REV: H3

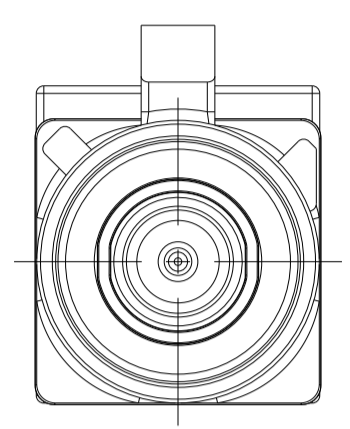
TE Connectivity

REVISIONS				
P	LTN	DESCRIPTION	DATE	APVD
-		SEE SHEET 1	-	-

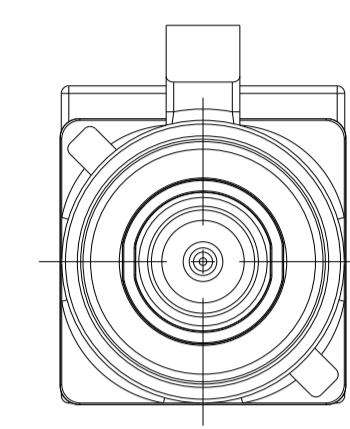
CODINGS



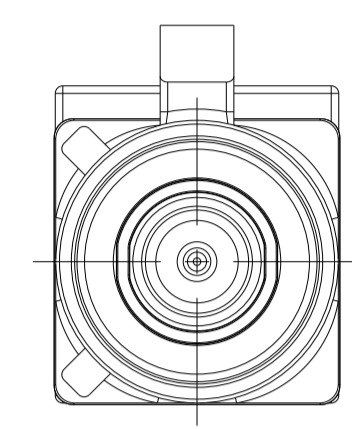
DETAIL A
SCALE 5:1



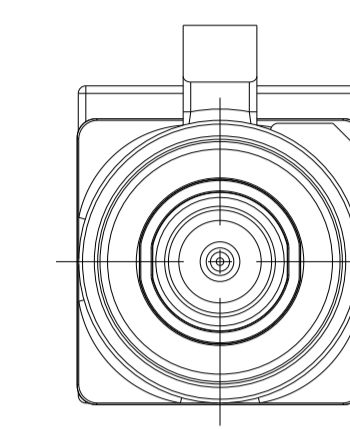
DETAIL B
SCALE 5:1



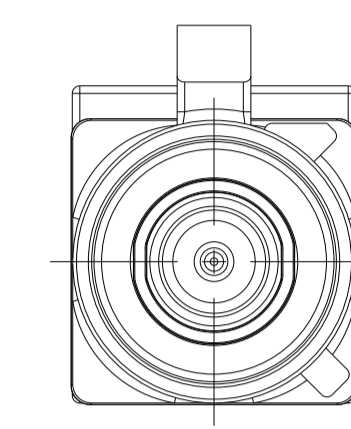
DETAIL C
SCALE 5:1



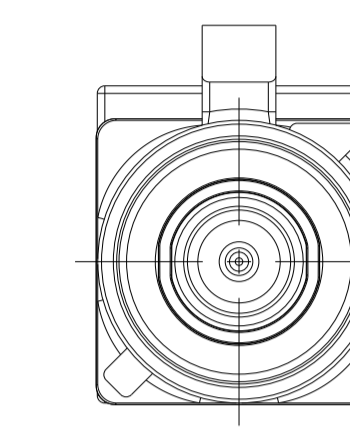
DETAIL D
SCALE 5:1



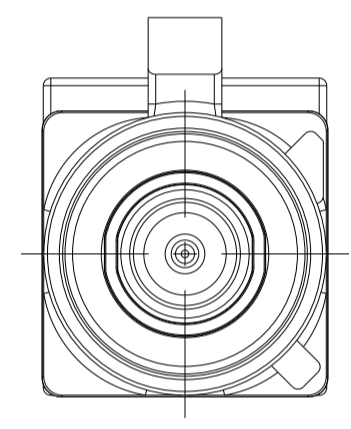
DETAIL E
SCALE 5:1



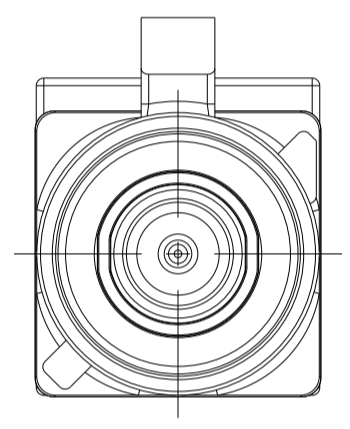
DETAIL F
SCALE 5:1



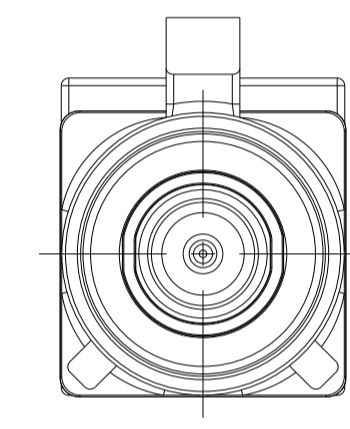
DETAIL G
SCALE 5:1



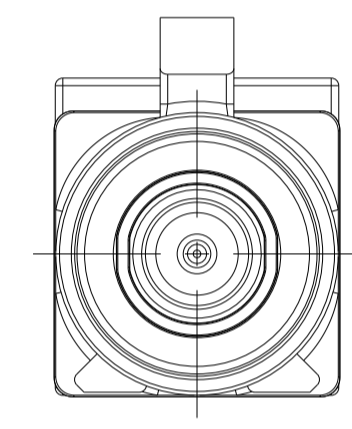
DETAIL H
SCALE 5:1



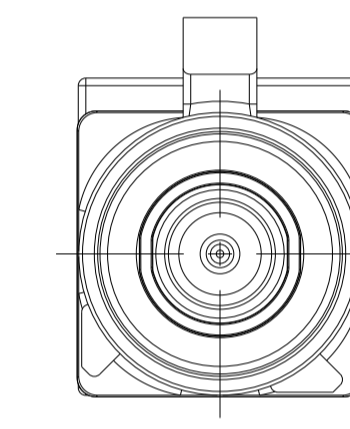
DETAIL I
SCALE 5:1



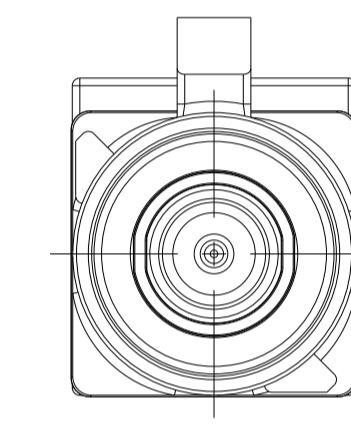
DETAIL K
SCALE 5:1



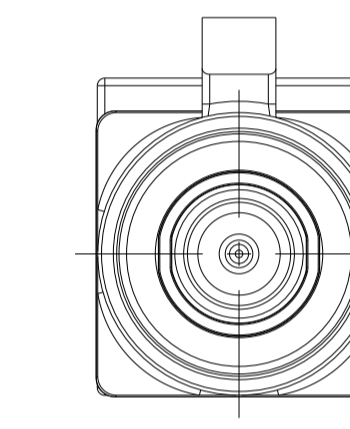
DETAIL L
SCALE 5:1



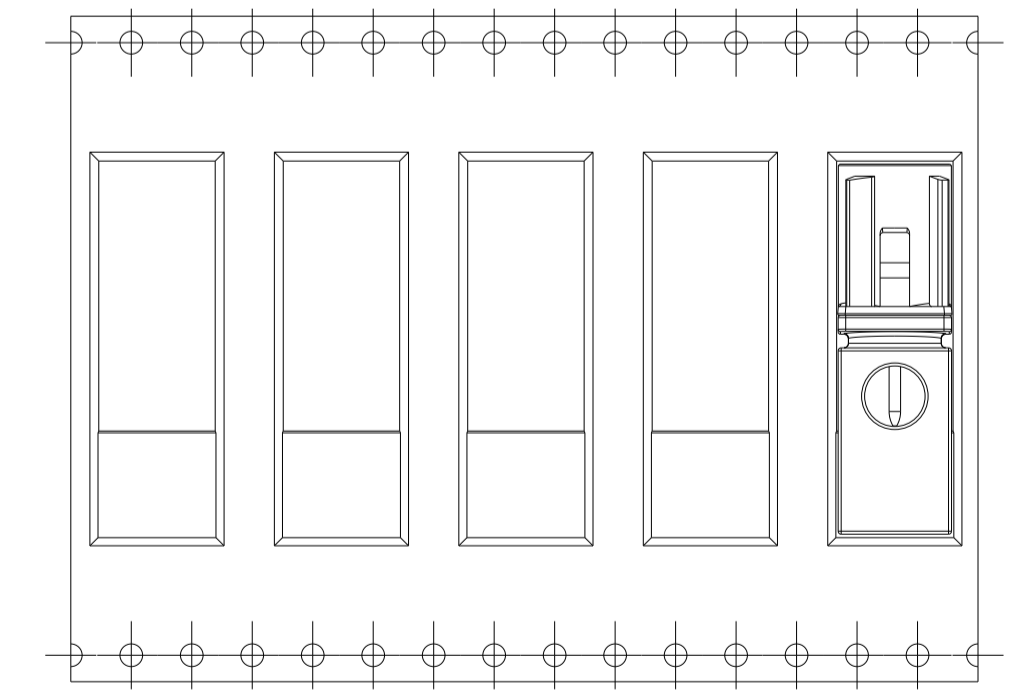
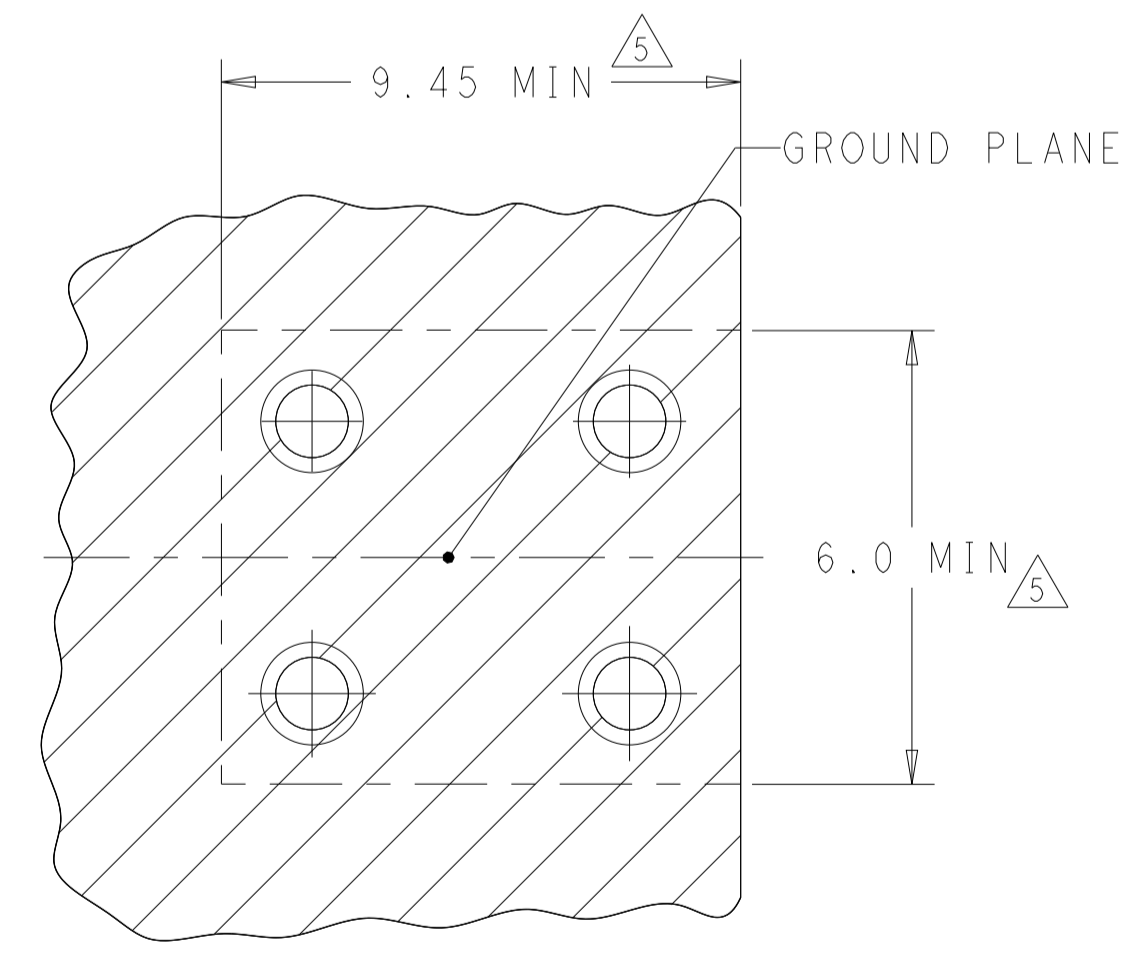
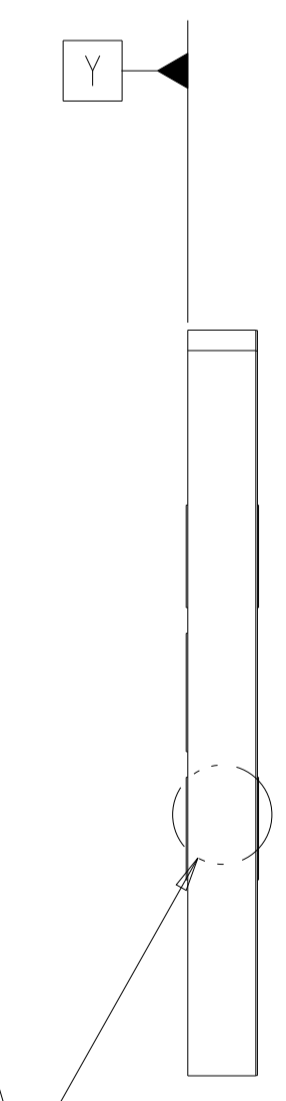
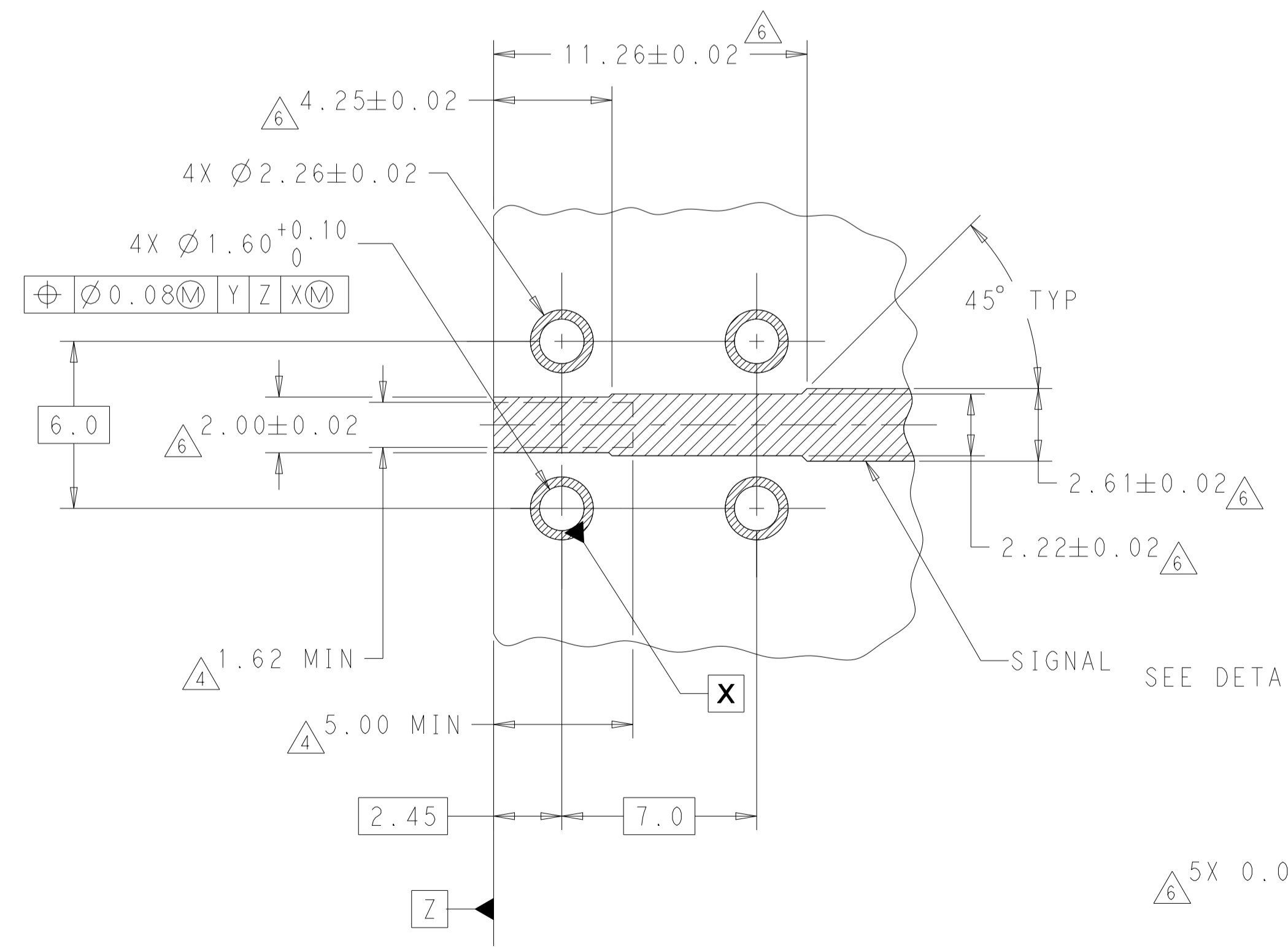
DETAIL M
SCALE 5:1



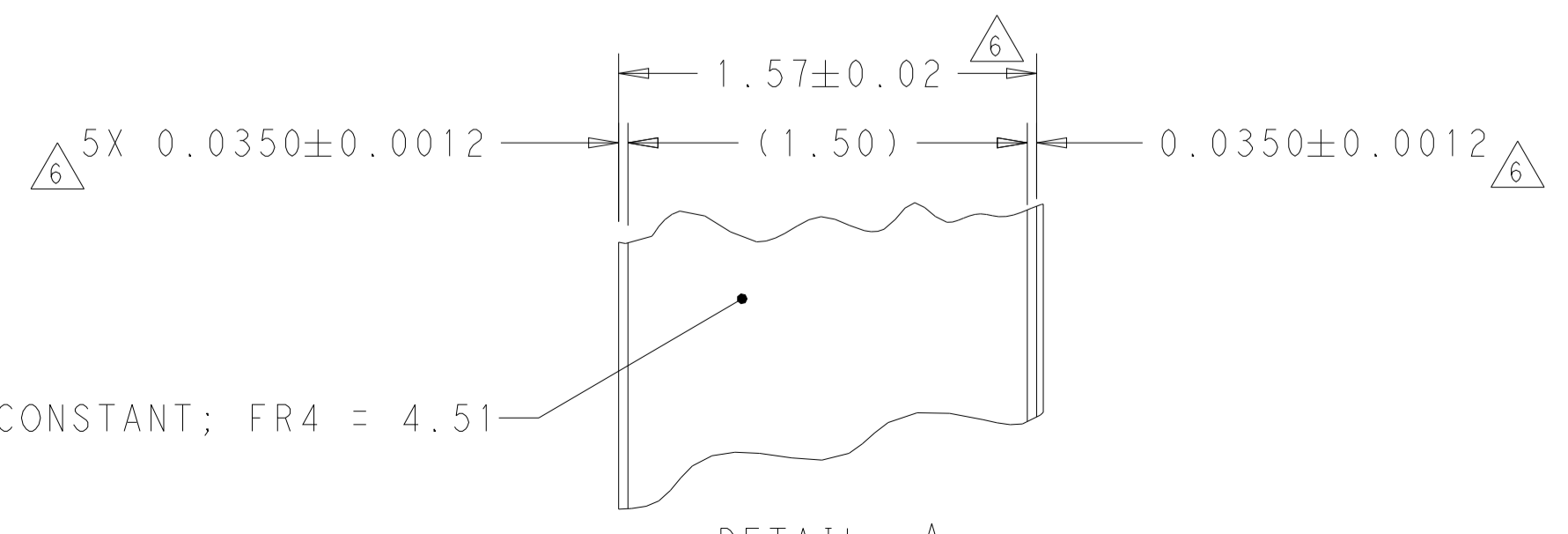
DETAIL N
SCALE 5:1



DETAIL Z
SCALE 5:1



DIRECTION OF UNREELING
SCALE 2:1



DETAIL A
SCALE 40:1

△ MATERIAL DIELECTRIC CONSTANT; FR4 = 4.51

THIS DRAWING IS A CONTROLLED DOCUMENT.		OWN: J. A. BAKER 30SEP2014	
DIMENSIONS: mm		CHK: D. J. LANE 30SEP2014	
TOLERANCES UNLESS OTHERWISE SPECIFIED:		APVD: D. J. LANE 30SEP2014	NAME: MALE ASSEMBLY, 1 POSITION, 12 O'CLOCK, EDGE MOUNT, PCB, FAKRA
0 PLC	±	PRODUCT SPEC	SIZE: CAGE CODE DRAWING NO
1 PLC	±0.2	APPLICATION SPEC	RESTRICTED TO
2 PLC	±0.08	114-32108	SCALE 6:1 SHEET 2 OF 2 REV H3
3 PLC	±	108-32058	
4 PLC	±	114-32108	
ANGLES	±	WEIGHT 3.07g	
FINISH	±	CUSTOMER DRAWING	
SEE TABLE		114-32108	
		108-32058	
		114-32108	
		WEIGHT 3.07g	
		CAGE CODE DRAWING NO	
		114-32108	
		108-32058	
		114-32108	
		WEIGHT 3.07g	
		CUSTOMER DRAWING	