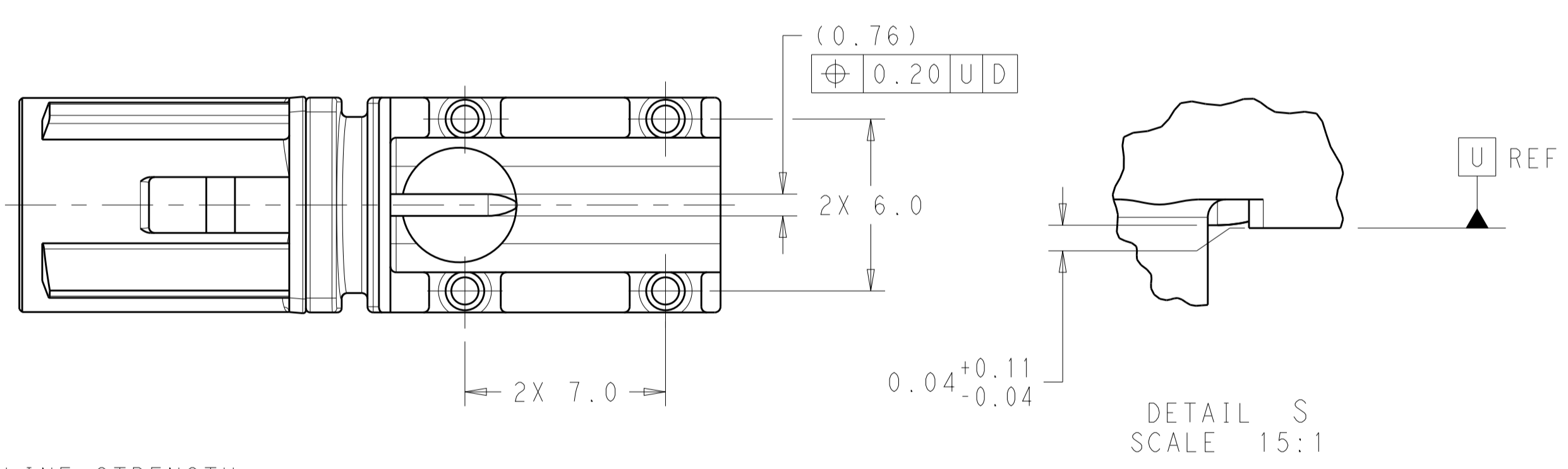
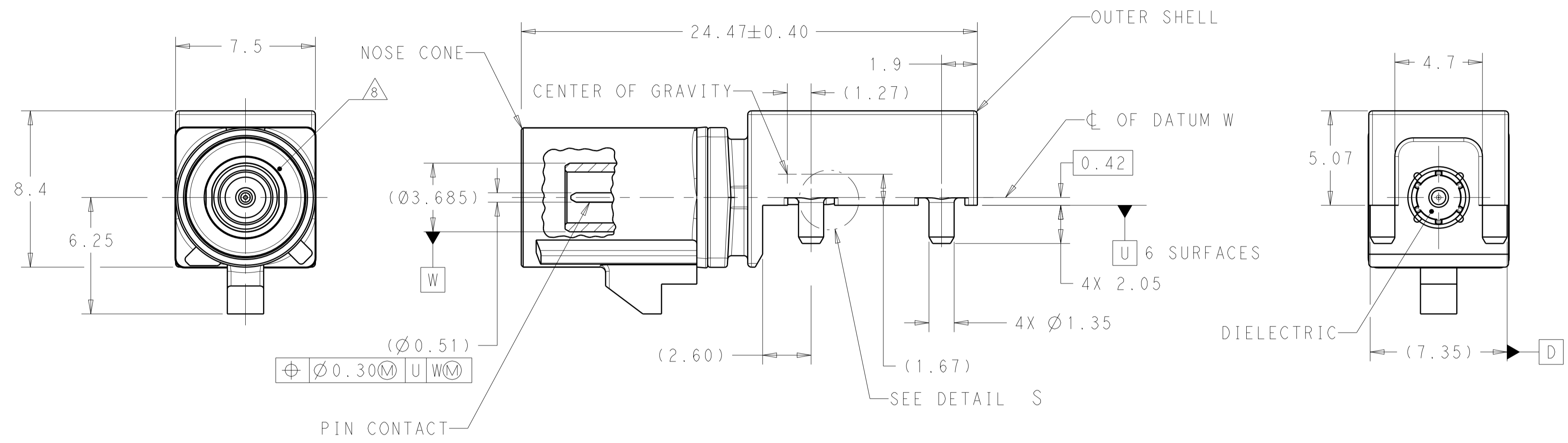
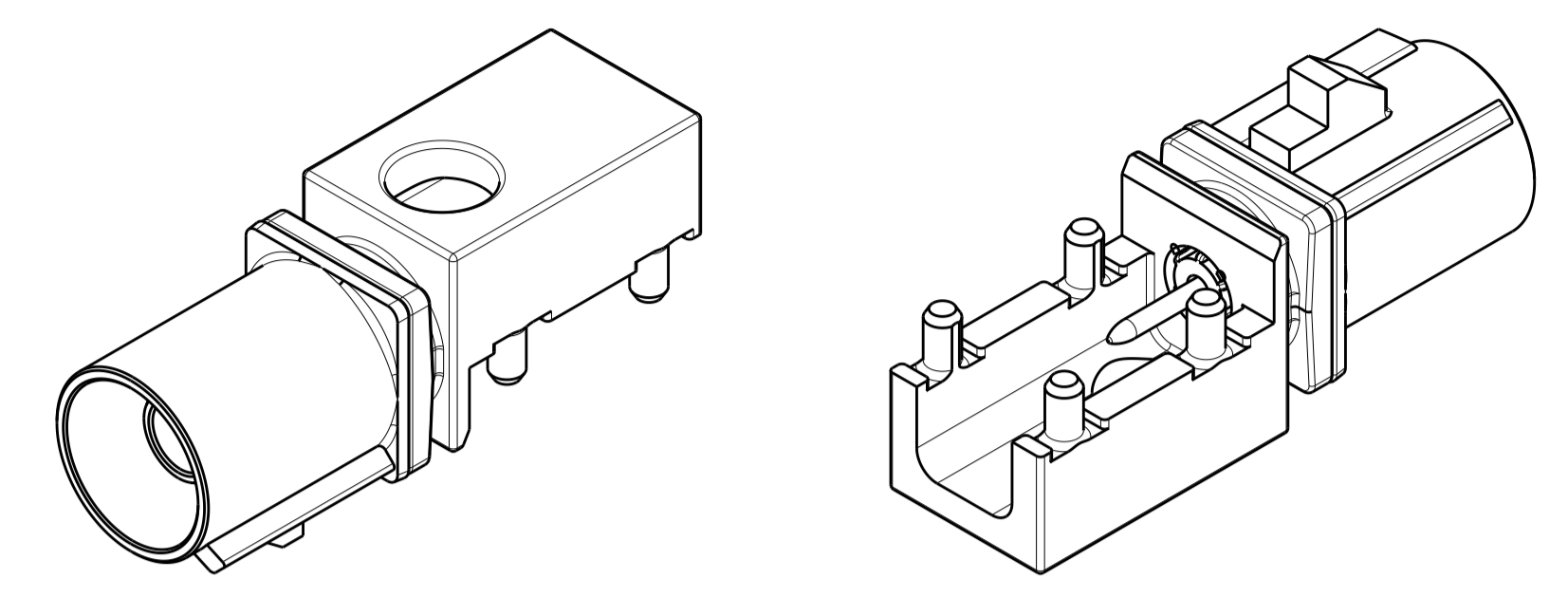
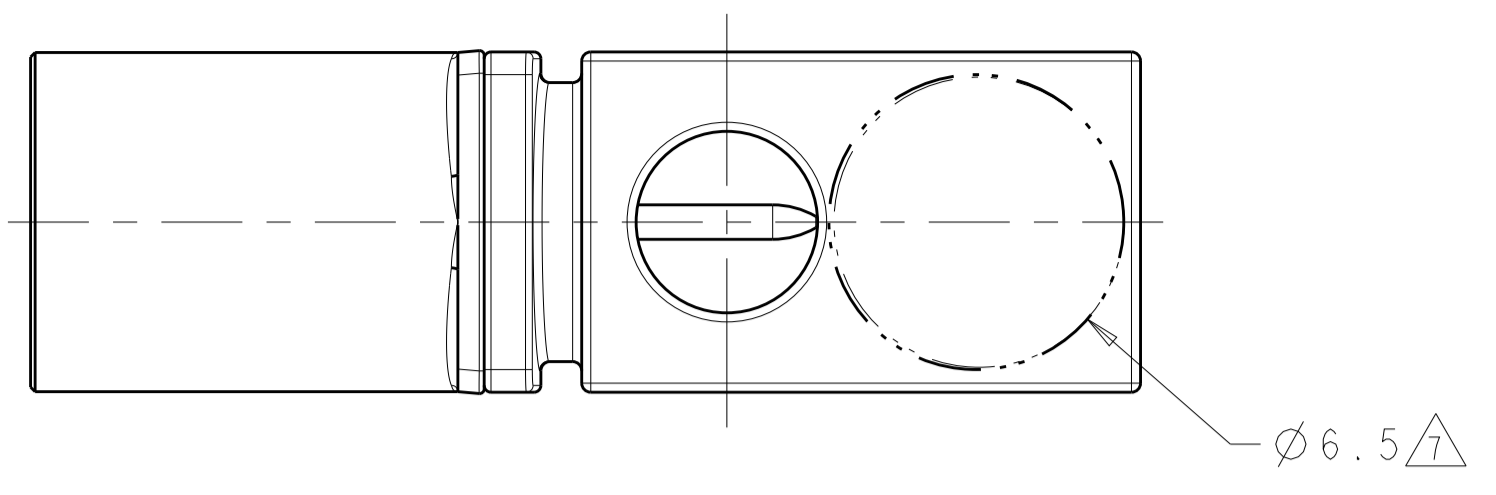


REVISIONS				
P	LTN	DESCRIPTION	DATE	APPROV
F		REVISED	24JUN2016	JAB ERL
F1		RELEASED	22NOV2016	ERL ERL
F2		ECO-20-000275	27JAN2020	KP MB
F3		REVISED PER ECO-20-008977	26JUN2020	JMS MB



△ NOSE CONE - NYLON WITH INCREASED WELDLINE STRENGTH, COLOR: SEE TABLE, 30% GLASS FILLED.
△ DIELECTRIC - POLYESTER PCT, NATURAL, 30% GLASS FILLED.
△ PIN CONTACT - BRASS.

△ OUTER SHELL - ZINC.
△ PIN CONTACT - 0.38 μ m MIN GOLD ON INTERFACE END, 2.5 μ m MIN TIN ON SOLDER END, BOTH OVER 1.3 μ m MIN NICKEL.
△ OUTER SHELL - 2.0 μ m MIN TIN OVER 1.52 μ m MIN NICKEL, BOTH OVER 2.54 μ m MIN COPPER.

- △** REMOVED
- △** MINIMUM SIGNAL PAD FOR SOLDER.
- △** MINIMUM RECOMMENDED GROUND PLANE.
- △** SIGNAL DIMENSION TRACE RECOMMENDED FOR OPTIMUM SIGNAL PERFORMANCE.
- △** VACUUM PICKUP AREA.
- △** MALE INTERFACE PER SAE/USCAR-18 REVISION 3, ROAD VEHICLES 50 Ohm RADIO FREQUENCY INTERFACE.
- △** REELING VIEW FOR REFERENCE ONLY TO SHOW UNREELING DIRECTION

FINISH	PACKAGING	CODING DETAIL	NOSE CONE COLOR	CODING REF	PART NUMBER
△	TAPE AND REEL	PER DETAIL Z	WATER BLUE	Z	7-2287903-0
		PER DETAIL N	PASTEL GREEN	N	6-2287903-3
		PER DETAIL M	PASTEL ORANGE	M	6-2287903-2
		PER DETAIL L	CARMINE RED	L	6-2287903-1
		PER DETAIL K	CURRY	K	6-2287903-0
		PER DETAIL I	BEIGE	I	5-2287903-9
		PER DETAIL H	HEATHER VIOLET	H	5-2287903-8
		PER DETAIL G	BLUE GREY	G	5-2287903-7
		PER DETAIL F	NUT BROWN	F	5-2287903-6
		PER DETAIL E	LEAF GREEN	E	5-2287903-5
		PER DETAIL D	CLARET VIOLET	D	5-2287903-4
		PER DETAIL C	SIGNAL BLUE	C	5-2287903-3
△	TRAY	PER DETAIL B	CREAM	B	5-2287903-2
		PER DETAIL A	JET BLACK	A	5-2287903-1
		PER DETAIL Z	WATER BLUE	Z	2-2287903-0
		PER DETAIL N	PASTEL GREEN	N	1-2287903-3
		PER DETAIL M	PASTEL ORANGE	M	1-2287903-2
		PER DETAIL L	CARMINE RED	L	1-2287903-1
		PER DETAIL K	CURRY	K	1-2287903-0
		PER DETAIL I	BEIGE	I	2287903-9
		PER DETAIL H	HEATHER VIOLET	H	2287903-8
		PER DETAIL G	BLUE GREY	G	2287903-7
		PER DETAIL F	NUT BROWN	F	2287903-6
		PER DETAIL E	LEAF GREEN	E	2287903-5
PER DETAIL D	CLARET VIOLET	D	2287903-4		
PER DETAIL C	SIGNAL BLUE	C	2287903-3		
PER DETAIL B	CREAM	B	2287903-2		
PER DETAIL A	JET BLACK	A	2287903-1		

THIS DRAWING IS A CONTROLLED DOCUMENT.

APPROVED: J.A. BAKER 07OCT2014
 CHK: D.J. LANE 07OCT2014
 APVD: D.J. LANE 07OCT2014

STE TE Connectivity

NAME: MALE ASSEMBLY, 1 POSITION, 6 O'CLOCK, EDGE MOUNT, PCB, FAKRA

PRODUCT SPEC: 108-32058
 APPLICATION SPEC: 114-32108

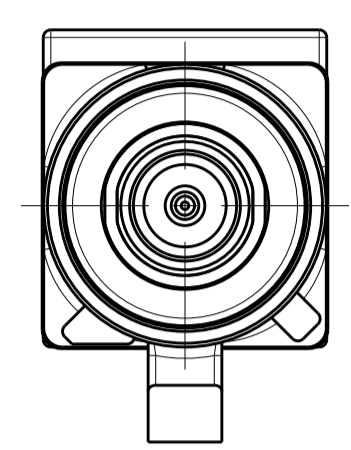
SIZE: 114-32108
 WEIGHT: 3.07g

CUSTOMER DRAWING

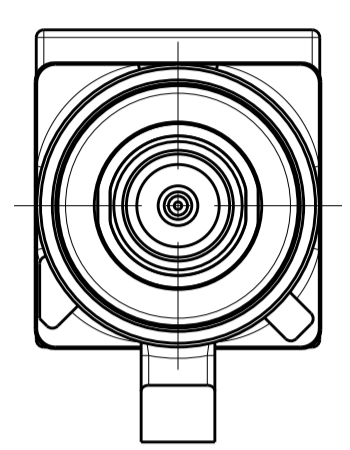
SCALE: 6:1 SHEET 1 OF 2 REV F3

REVISIONS				
P.	LTN	DESCRIPTION	DATE	APVD
-	-	SEE SHEET 1	-	-

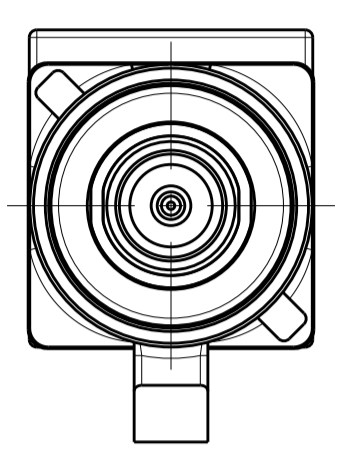
CODINGS



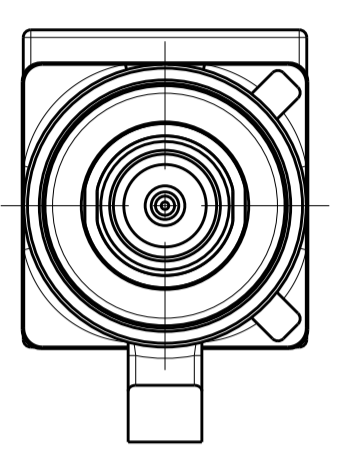
DETAIL A
SCALE 5:1



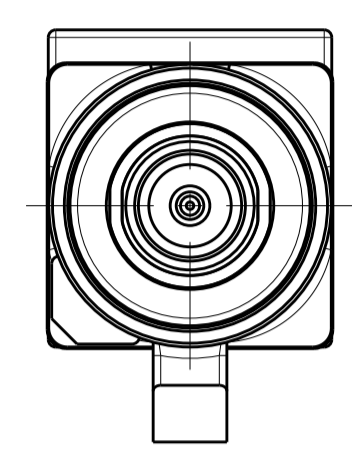
DETAIL B
SCALE 5:1



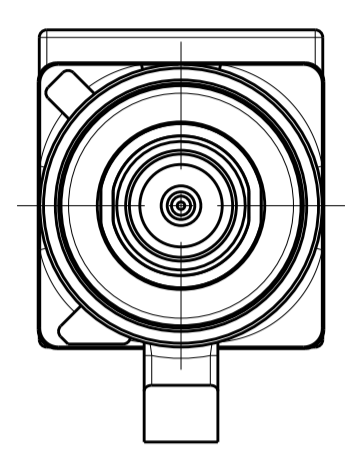
DETAIL C
SCALE 5:1



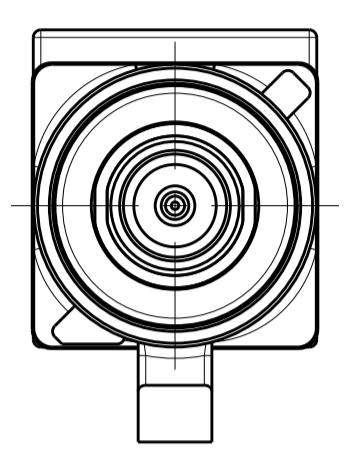
DETAIL D
SCALE 5:1



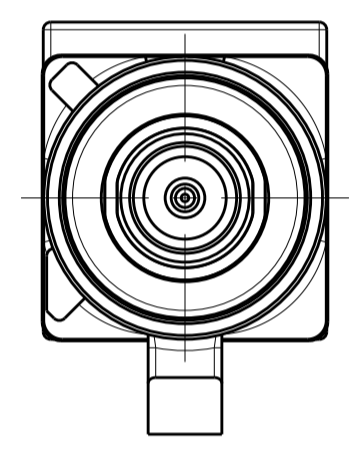
DETAIL E
SCALE 5:1



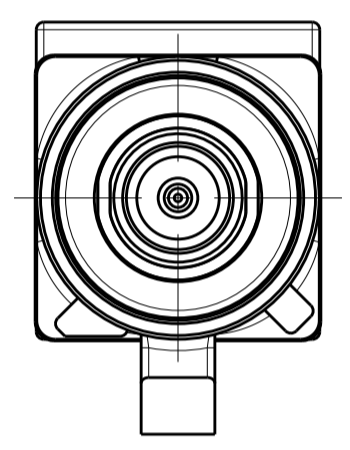
DETAIL F
SCALE 5:1



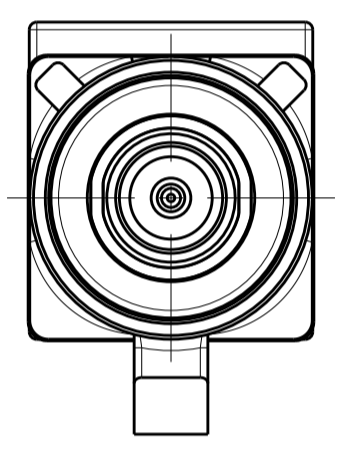
DETAIL G
SCALE 5:1



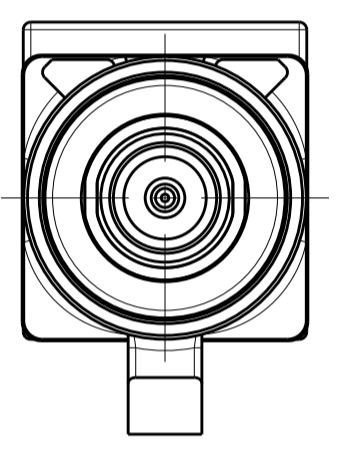
DETAIL H
SCALE 5:1



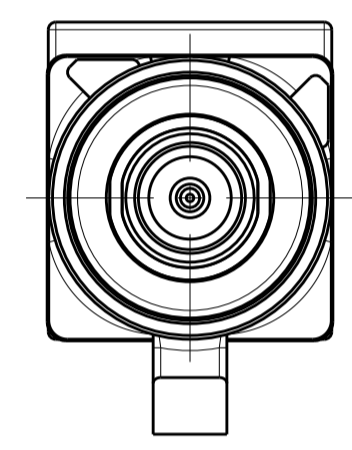
DETAIL I
SCALE 5:1



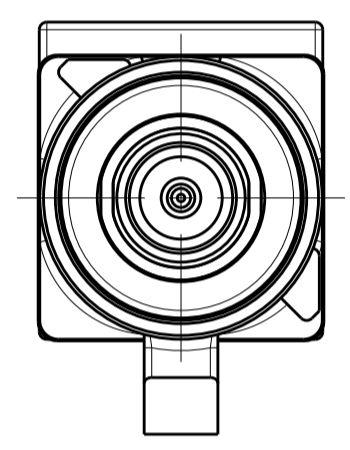
DETAIL K
SCALE 5:1



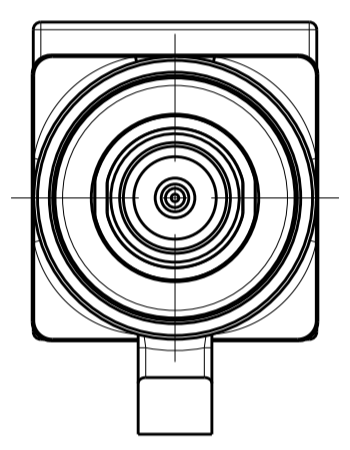
DETAIL L
SCALE 5:1



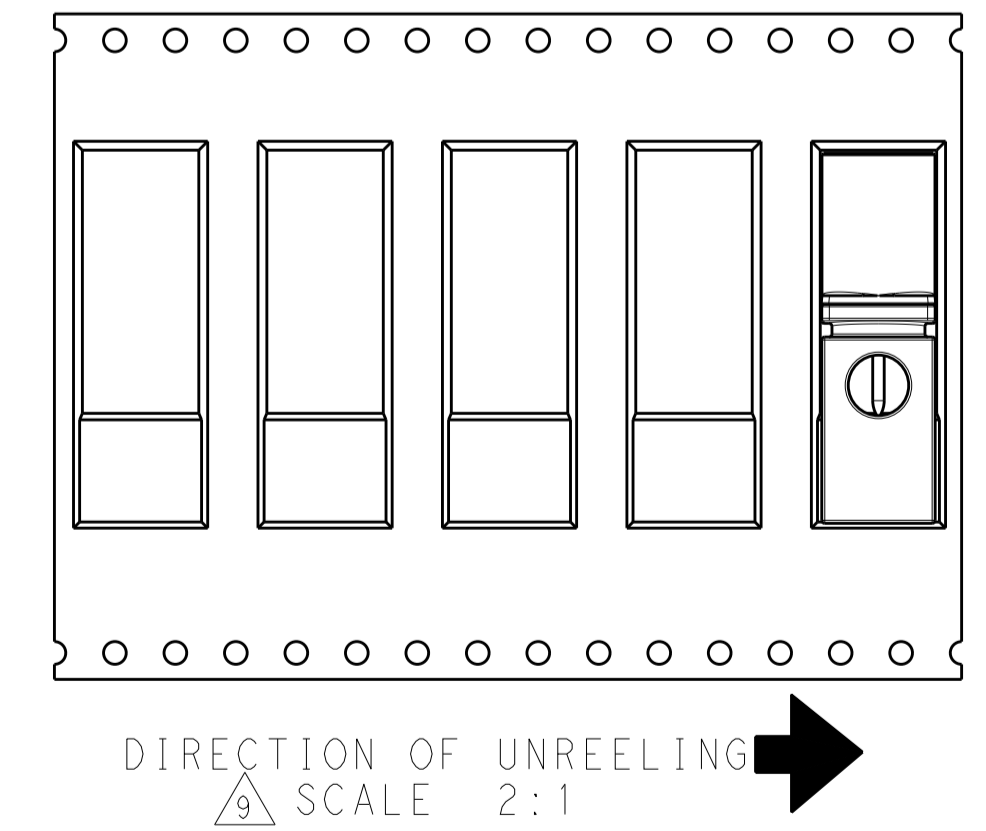
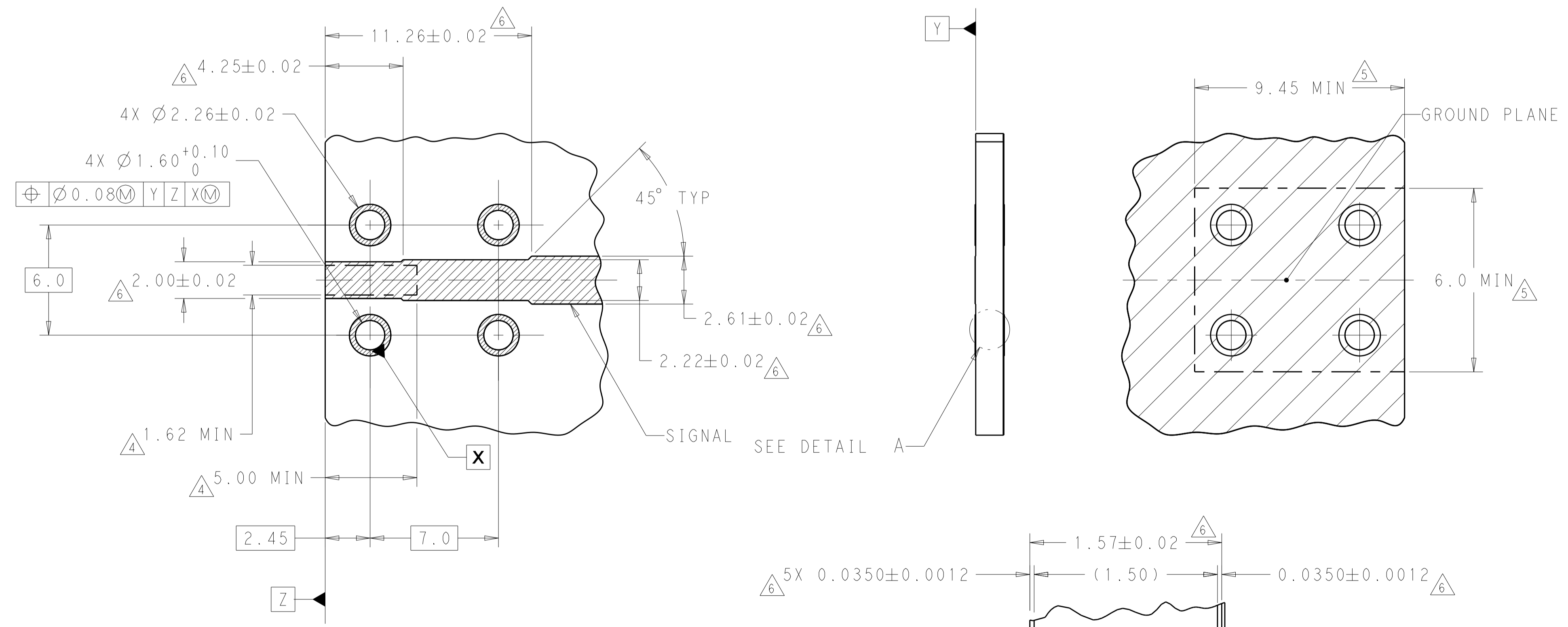
DETAIL M
SCALE 5:1



DETAIL N
SCALE 5:1



DETAIL Z
SCALE 5:1



△ MATERIAL DIELECTRIC CONSTANT; FR4 = 4.51

DETAIL A
SCALE 40:1

THIS DRAWING IS A CONTROLLED DOCUMENT.		DWN: J.A.BAKER 07OCT2014	TE Connectivity
DIMENSIONS: mm		CHK: D.J.LANE 07OCT2014	
TOLERANCES UNLESS OTHERWISE SPECIFIED:		APVD: D.J.LANE 07OCT2014	NAME: MALE ASSEMBLY, 1 POSITION, 6 O'CLOCK, EDGE MOUNT, PCB, FAKRA PRODUCT SPEC: 108-32058 APPLICATION SPEC: 114-32108 WEIGHT: 3.07g CUSTOMER DRAWING
0 PLC ± 1 PLC ±0.2 2 PLC ±0.08 3 PLC ± 4 PLC ± ANGLES ±		SIZE: A100779 CAGE CODE: C=2287903 SCALE: 6:1 SHEET 2 OF 2 REV: F3	