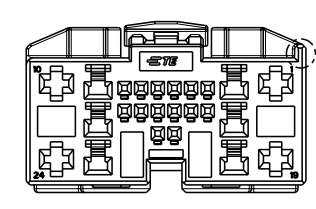


THIS DRAWING IS UNPUBLISHED. RELEASED FOR PUBLICATION 2014
 © COPYRIGHT 2014 BY - TE CONNECTIVITY INDIA PVT. LTD. ALL RIGHTS RESERVED.

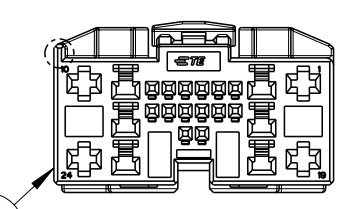
P	LTR	DESCRIPTION	DATE	DWN	APVD
A		NEW RELEASE	19DEC2014	SB	RK
A1		SEE ECR-15-003814	10MAR2015	SB	RK
A2		SEE ECR-15-008763	01JUL2015	SB	RK
B		SEE ECR-22-156796	07NOV2022	MK	CP

CODE A



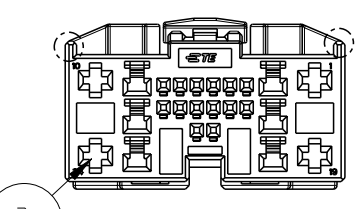
SCALE 1:1

CODE B

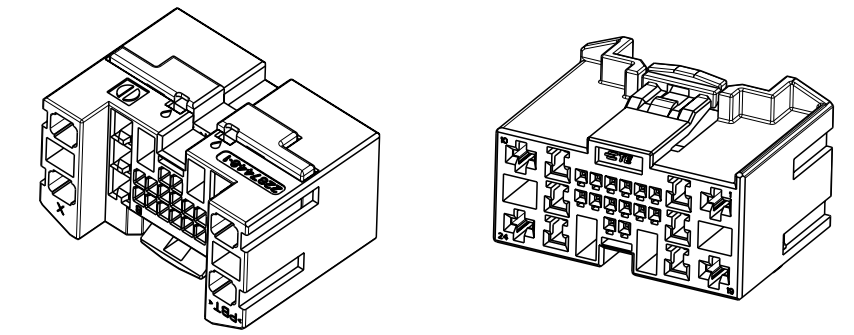


SCALE 1:1

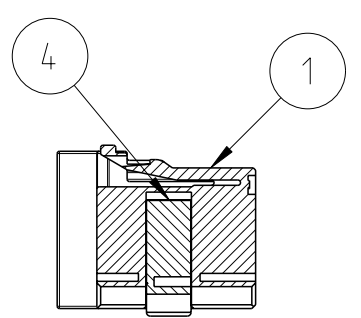
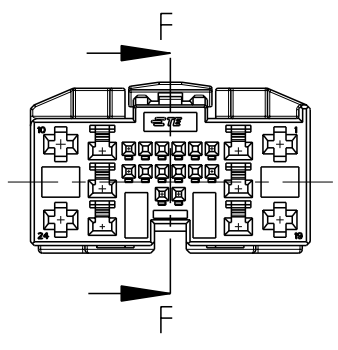
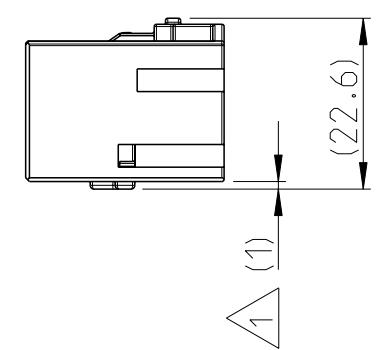
CODE C



SCALE 1:1



3D VIEW
SCALE 1:1



SECTION F-F

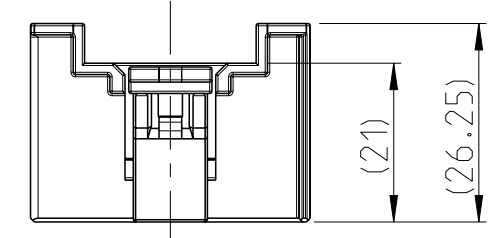
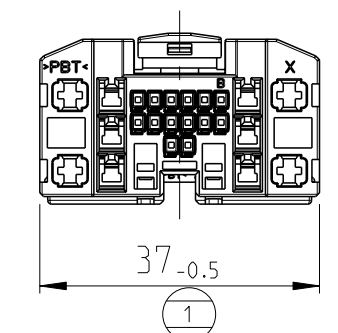


TABLE 1

TYPE	FINISH	P/N	WIRE RANGE(mm)
.025	PRE-TIN	2005097-1	0.22
		2005427-1	0.3-0.5
		1897753-1	0.22-0.56
.090	PRE-TIN	1743654-1	0.3-0.5
		1743655-1	0.75-1.25
		1743656-1	1.5-2.0
		1897598-1	2.5
		1-968849-1	0.5-1.0
.110	PRE-TIN	1-968851-1	1.0-2.5
		1-968853-1	3.0

NOTE

- (1) CONDITION OF DELEVRY: DBL IN 1st LOCKING POSITION
- (B) 2. MATED WITH CAP HOUSING ASSEMBLY PART NO: 2287871-1 (CODE A) OR 2287871-2 (CODE B) OR 2287871-3 (CODE C)
- 3. APPLICABLE REC CONTACT P/N: TABLE 1
- 4. REGRIND MATERIAL PROCESSED IN CLOSED LOOP.
- (A1) 5. UNSPECIFIED TOLERANCES AS PER DIN 16901-140.

CODE C	CODE B	CODE A	PARTS LIST						
1	1	1	2219540-1	A	DBL HSG	-	PBT	NATURAL	4
1	-	-	2287448-3	B	PLUG HSG, CODE C	15%	PBT	NATURAL	3
-	1	-	2287448-2	B	PLUG HSG, CODE B	15%	PBT	BLACK	2
-	-	1	2287448-1	B	PLUG HSG, CODE A	15%	PBT	NATURAL	1
2287872-3	2287872-2	2287872-1	PART NO	REV	DESCRIPTION	REGRIND	MATERIAL	COLOUR	ITEM NO
B	B	B	REVISION OF EACH ASSY NO (WHEN BLANK, USE DWG REVISION)						
QTY PER ASSY			PARTS LIST						

THIS DRAWING IS A CONTROLLED DOCUMENT.		DWN SUMIT B 19DEC2014	TE Connectivity NAME 24 POS, MIXED, REC HSG, 025, 090, 110, ASSY
DIMENSIONS: mm		CHK RAJESH KOTI 19DEC2014	
TOLERANCES UNLESS OTHERWISE SPECIFIED:		APVD RAMESH KUMAR 19DEC2014	
0 PLC ± 1 PLC ± 2 PLC ± 3 PLC ± 4 PLC ± ANGLES ± FINISH -		PRODUCT SPEC -	
MATERIAL SEE TABLE		APPLICATION SPEC -	SIZE CAGE CODE DRAWING NO RESTRICTED TO
		WEIGHT 10.45 GM	A2 00779 C-2287872
		CUSTOMER DRAWING	SCALE 5:1 SHEET 1 OF 1 REV B

Printed on 7 Nov 2022 13:03 (India Standard Time) from TE415773