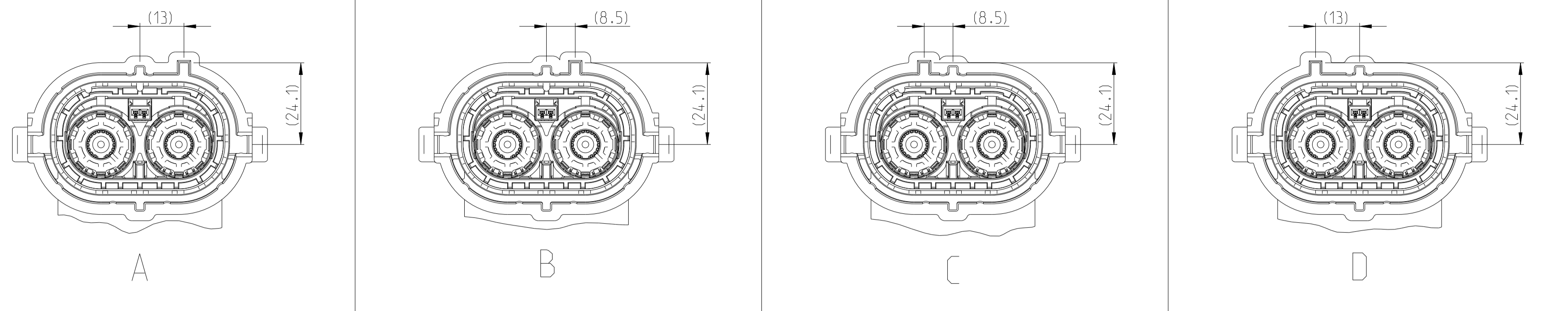


**CODINGS  
SHOWN WITHOUT LEVER - 1:1**

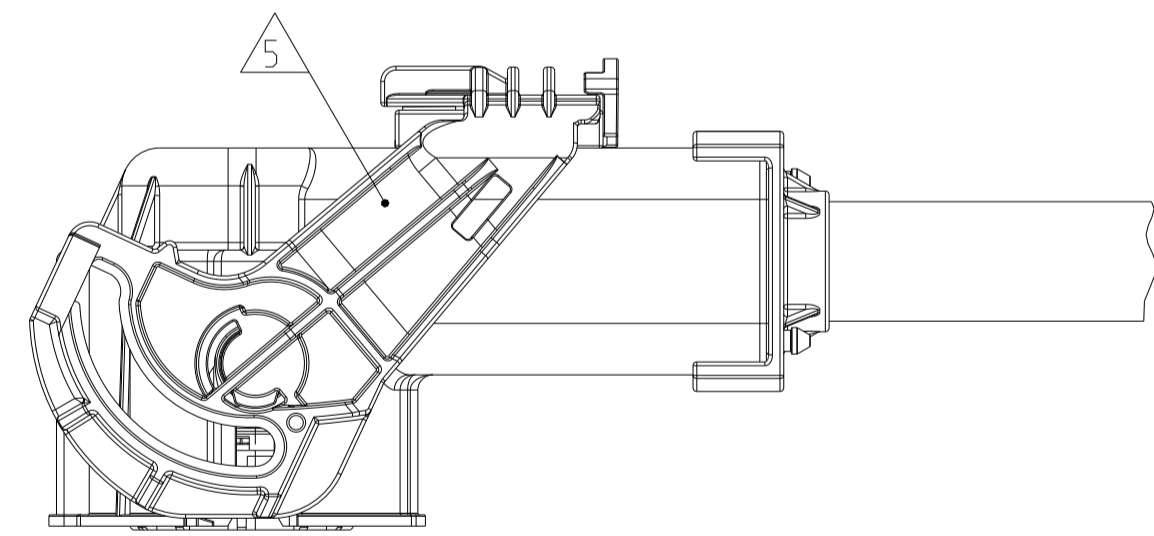
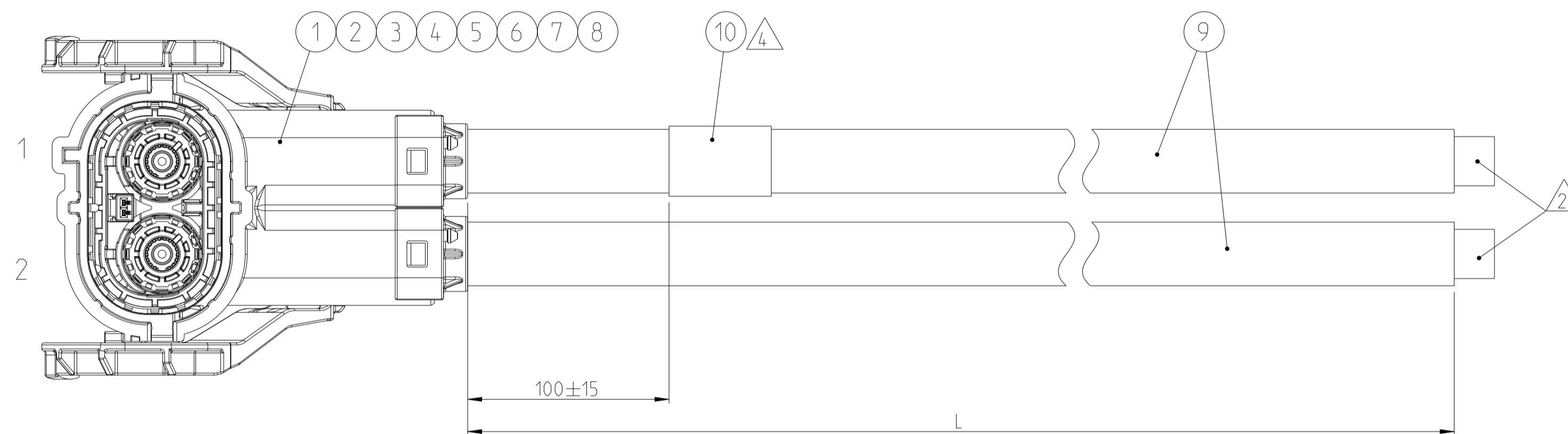
THE DRAWING SHOWS THE 2-DIMENSIONAL REFERENCE COMPONENT CONDITION OF THE ASSEMBLY TO IDENTIFY AND SPECIFY THE NECESSARY DIMENSIONS ONLY. THE DELIVERED PARTS MAY DEVIATE FROM THE DRAWING REGARDING THE ORIENTATION AND POSITION OF EACH COMPONENT (e.g. SLACK CABLE), SO FAR THE FUNCTIONALITY IS NOT CONCERNED.

REVISIONS				
P	LTN	DESCRIPTION	DATE	APVD
B5		NOTES AND LABEL LEGEND UPDATED	11OCT2018	JM JJ
B6		NEW VARIANTS ADDED	08NOV2018	JM JJ
B7		OBSOLETE PNs	17OCT2022	DS JK
B8		SUPERSEDED PNs	30JUN2023	DS JK



**NOTES**

- PACKAGING:  
EACH HOUSING OF THE CABLE ASSEMBLY TO BE INDIVIDUALLY WRAPPED IN FOAM (PN 741639-2) AND FIXED WITH RUBBER BAND (PN 1-2000064-0).  
PACKED IN STANDARD SHIPPING BOX VERTICAL SIDES OVERLAID WITH PAPER CUSHIONS (PN 740045-2) ACCORDING TE SPEC. 107-18087, 107-18064.  
DAMAGED TO BE AVOIDED.
- ELECTRICAL TEST ACCORDING TE SPECIFICATION 108-18857.  
USE CURRENT REVISION ALWAYS.  
MIN. 10 mm STRIPPING OF OUTER JACKET AND BRAID FOR ELECTRICAL TEST PURPOSE.
- PRODUCT SPECIFICATION: 108-94268, 108-94256  
APPLICATION SPECIFICATION: 114-94052, 114-94083
- MANUFACTURING CODE:  
TE PART NO., CURRENT REV. LEVEL AND DATE CODE (DD.MM.YY).  
TO BE PRINTED ON LABEL (ITEM 10).  
LABEL TO BE APPLIED TO THE CABLE AFTER SUCCESSFUL ELECTRICAL TEST.
- LEVER POSITION: CLOSED ON DELIVERY.



**4 LABEL LEGEND:**

**STE** — CURRENT REV.

TE PN: X-2286945-Y Rev. — DATE CODE

DD/MM/YY

2.7 kV DC TEST PASSED

SUPERSEDED BY	TE PART NO.	REV.	LENGTH L [mm]	TOL. [mm]	CODING
OBSOLETE	1-2286945-0	B	500	+30	A
-	1-2286945-1	B	1000	+30	
OBSOLETE	1-2286945-2	B	2000	+35	
-	1-2286945-3	B	3000	+40	
OBSOLETE	1-2286945-4	B	4000	+50	
-	1-2286945-5	B	5000	+60	
OBSOLETE	2-2286945-0	B	500	+30	B
-	2-2286945-1	B	1000	+30	
OBSOLETE	2-2286945-2	B	2000	+35	
-	2-2286945-3	B	3000	+40	
OBSOLETE	2-2286945-4	B	4000	+50	
-	2-2286945-5	B	5000	+60	
B8 OBSOLETE	2-2286945-6	A	10000	+90	C
-	3-2286945-0	A	500	+30	
B8 3-2286945-3	3-2286945-1	A	1000	+30	
-	3-2286945-2	A	2000	+35	D
B8 3-2286945-5	3-2286945-3	A	3000	+40	
-	3-2286945-4	A	4000	+50	
-	3-2286945-5	A	5000	+60	D
-	4-2286945-0	A	500	+30	
B8 4-2286945-3	4-2286945-1	A	1000	+30	
-	4-2286945-2	A	2000	+35	
B8 4-2286945-5	4-2286945-3	A	3000	+40	
-	4-2286945-4	A	4000	+50	D
-	4-2286945-5	A	5000	+60	

QTY	QTY	QTY	QTY	DESCRIPTION	ITEM NO.
1	1	1	1	LABEL, HELL. TYP 323. 25.4 x 95.25	10
see table	see table	see table	see table	1 POS. POWER CABLE, 50 SQMM	9
2	2	2	2	PROTEC. COVER 8 MM HV, 90 DEG, 50 SQMM	8
2	2	2	2	SINGLE WIRE SEAL, 8 MM HV, 90 DEG, 50 SQMM	7
2	2	2	2	SHIELD CRIMP FERRULE, 90 DEG	6
2	2	2	2	SHIELDING SLEEVE, 90 DEG	5
2	2	2	2	FINGER PROTECTION CAP 8 MM HV, 90 DEG	4
2	2	2	2	HV 8 MM, DEEP DRAWN SOCKET PIN, 90 DEG., ASSEMBLY	3
2	2	2	2	HV 8 MM, DEEP DRAWN SOCKET PIN, 90 DEG., ASSEMBLY	2
1	-	-	-	2 POS, 8 MM HV, REC HSG, 90 DEG, ASSY, SEALED, COD D	1
-	1	-	-	2 POS, 8 MM HV, REC HSG, 90 DEG, ASSY, SEALED, COD C	-
-	-	1	-	2 POS, 8 MM HV, REC HSG, 90 DEG, ASSY, SEALED, COD B	-
-	-	-	1	2 POS, 8 MM HV, REC HSG, 90 DEG, ASSY, SEALED, COD A	-

TOLERANCING EN ISO 8015  
TOLERIERUNG EN ISO 8015

DIESE ZEICHNUNG IST EIN KONTROLLIERTES DOKUMENT.  
BEMASSUNGEN UND TOLERANZEN GEMAESS GPS (ISO STANDARDS).

THIS DRAWING IS A CONTROLLED DOCUMENT.  
DIMENSIONING AND TOLERANCING PER GPS (ISO STANDARDS).

APVD: D. Snajder 05MAR2015  
J. Jancek 05MAR2015  
APVD: B. Hort 05MAR2015

NAME: 2 POS. HVP800, 90, 50 SQMM, CABLE ASSY

SIZE: A | CAGE CODE: - | DRAWING NO: C=2286945 | RESTRICTED TO: -

SCALE: 1:1 | SHEET: 1 OF 1 | REV: B8

CUSTOMER DRAWING