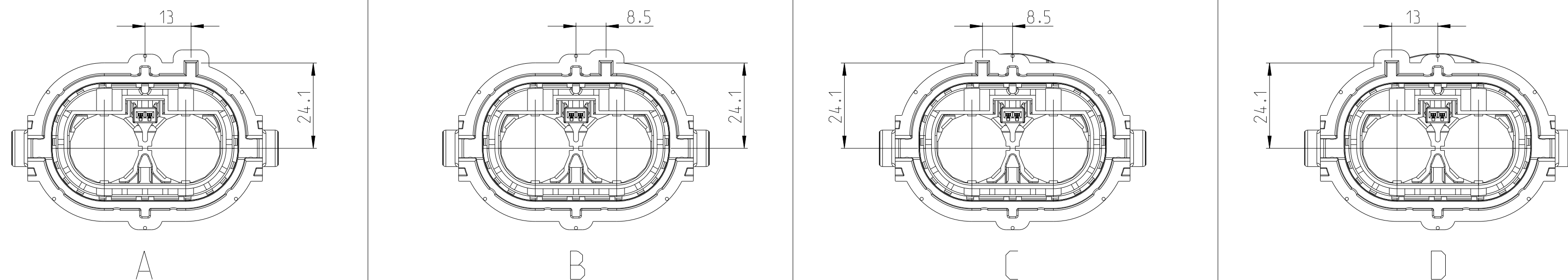


CODINGS - 1:1

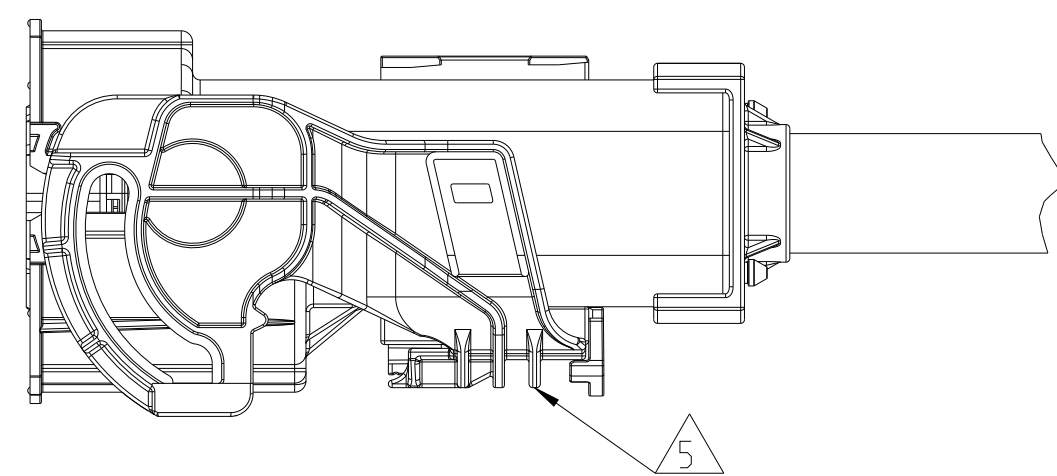
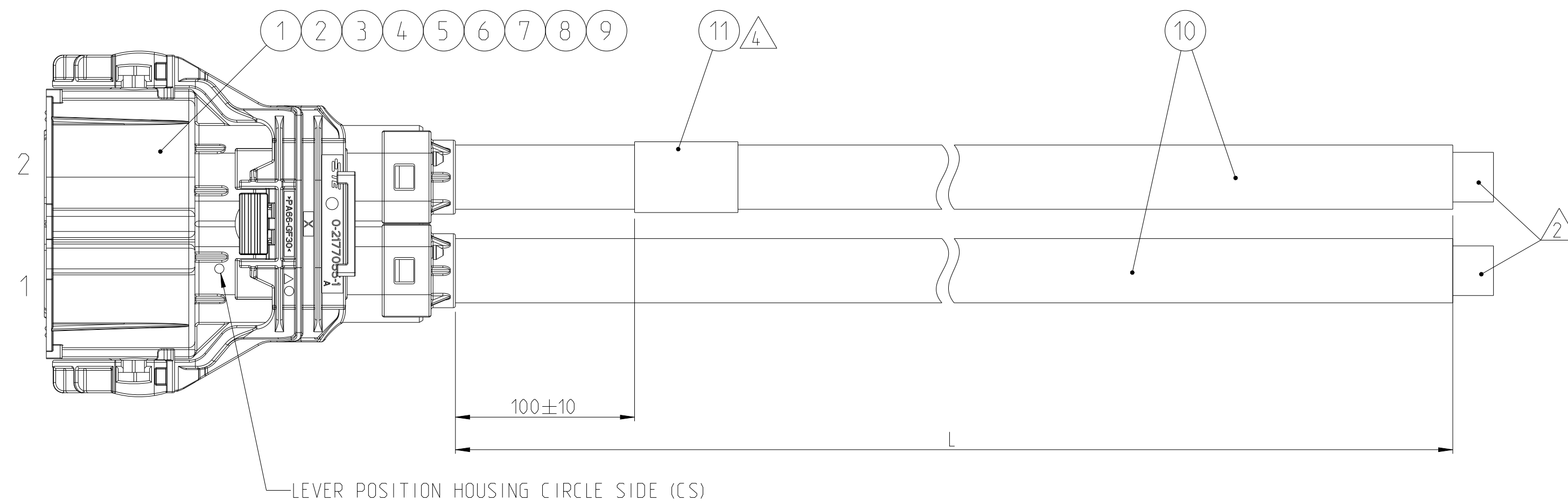
THE DRAWING SHOWS THE 2-DIMENSIONAL REFERENCE COMPONENT CONDITION OF THE ASSEMBLY TO IDENTIFY AND SPECIFY THE NECESSARY DIMENSIONS ONLY. THE DELIVERED PARTS MAY DEVIATE FROM THE DRAWING REGARDING THE ORIENTATION AND POSITION OF EACH COMPONENT (e.g. SLACK CABLE), SO FAR THE FUNCTIONALITY IS NOT CONCERNED.

REVISIONS				
P	LTN	DESCRIPTION	DATE	APVD
D		BOM SUBCOMPONENT CHANGED	06MAR2019	DS JJ
E		CONTACT (ITEM 7) CHANGED. NOTE 3 UPDATED	28JAN2020	JM PM
F		SHIELDING SLEEVE CHANGED	18MAR2021	JM JF
F1		OBSOLETE PNs	17OCT2022	DS JK



NOTES

- 1 PACKAGING:
HOUSING WRAPPED IN FOAM AND FIXED WITH RUBBER BAND.
CABLE ASSEMBLY PROTECTED BY PAPER CUSHIONS INSIDE OF STANDARD BOX ACCORDING TE SPEC. 107-18087, 107-18064. DAMAGED TO BE AVOIDED.
- ⚠ ELECTRICAL TEST ACCORDING TE SPECIFICATION 108-18857. USE CURRENT REVISION ALWAYS.
MIN. 10 mm STRIPPING OF OUTER JACKET AND BRAID FOR ELECTRICAL TEST PURPOSE.
- ⚠ PRODUCT SPECIFICATION: 108-94297, 108-94451
APPLICATION SPECIFICATION: 114-94130, 114-94325
- ⚠ MANUFACTURING CODE:
TE PART NO., CURRENT REV. LEVEL AND DATE CODE (DD.MM.YY).
TO BE PRINTED ON LABEL (ITEM 11).
LABEL TO BE APPLIED TO THE CABLE AFTER SUCCESSFUL ELECTRICAL TEST.
- ⚠ LEVER POSITION: CLOSED ON DELIVERY



⚠ LABEL LEGEND:

TE PN: X-2286938-Y Rev. CURRENT REV.
 DD/MM/YY DATE CODE
 2.7 kV DC TEST PASSED

TE PART NO.	REV.	LENGTH L (mm)	TOL. (mm)	CODING	LEVER POSITION
OBSOLETE	1-2286938-0	F	500		
-	1-2286938-1	F	1000		
OBSOLETE	1-2286938-2	F	2000	A	CS
-	1-2286938-3	F	3000		
OBSOLETE	1-2286938-4	F	4000		
-	1-2286938-5	F	5000		
OBSOLETE	2-2286938-0	F	500		
-	2-2286938-1	F	1000		
OBSOLETE	2-2286938-2	F	2000	B	CS
-	2-2286938-3	F	3000		
OBSOLETE	2-2286938-4	F	4000		
-	2-2286938-5	F	5000		
OBSOLETE	3-2286938-0	D	500		
OBSOLETE	3-2286938-1	D	1000		
OBSOLETE	3-2286938-2	D	2000	C	CS
OBSOLETE	3-2286938-3	D	3000		
OBSOLETE	3-2286938-4	D	4000		
OBSOLETE	3-2286938-5	D	5000		
OBSOLETE	4-2286938-0	D	500		
OBSOLETE	4-2286938-1	D	1000		
OBSOLETE	4-2286938-2	D	2000	D	CS
OBSOLETE	4-2286938-3	D	3000		
OBSOLETE	4-2286938-4	D	4000		
OBSOLETE	4-2286938-5	D	5000		

QTY	QTY	QTY	QTY	DESCRIPTION	ITEM NO.
4-x	3-x	2-x	1-x		
1	1	1	1	LABEL, HELL. TYP 323, 25.4 x 95.25	11
see table	see table	see table	see table	1 POS. POWER CABLE, 35 SQMM	10
2	2	2	2	SHIELDING SLEEVE, 180 DEG	9
2	2	2	2	INSULATION INSERT, 180 DEG	8
2	2	2	2	8 MM HV. CONTACT, ASSY	7
2	2	2	2	PROTEC. COVER 8 MM HV, 90 DEG, 35 SQMM	6
2	2	2	2	SINGLE WIRE SEAL, 8 MM HV, 90 DEG, 35 SQMM	5
2	2	2	2	SHIELDING CRIMP FERRULE, 180 DEG OUTER	4
2	2	2	2	PROTECTION CAP, 180 DEG	3
2	2	2	2	SHIELD CRIMP FERRULE, 180 DEG INNER	2
1	-	-	-	2 POS, 8 MM HV, REC HSG, 180 DEG, ASSY, SEALED, COD D LEVER POSITION: CIRCLE SIDE (CS)	1
-	1	-	-	2 POS, 8 MM HV, REC HSG, 180 DEG, ASSY, SEALED, COD C LEVER POSITION: CIRCLE SIDE (CS)	
-	-	1	-	2 POS, 8 MM HV, REC HSG, 180 DEG, ASSY, SEALED, COD B LEVER POSITION: CIRCLE SIDE (CS)	
-	-	-	1	2 POS, 8 MM HV, REC HSG, 180 DEG, ASSY, SEALED, COD A LEVER POSITION: CIRCLE SIDE (CS)	

TOLERANCING EN ISO 8015
TOLERIERUNG EN ISO 8015

DIESE ZEICHNUNG IST EIN KONTROLLIERTES DOKUMENT. BEMASSUNGEN UND TOLERANZEN GEMAESS GPS (ISO STANDARDS).

THIS DRAWING IS A CONTROLLED DOCUMENT. DIMENSIONING AND TOLERANCING PER GPS (ISO STANDARDS).

DMN: D. Snajder 07APR2015
 APVD: R. Horst 07APR2015
 CHK: J. Jancek

TE Connectivity

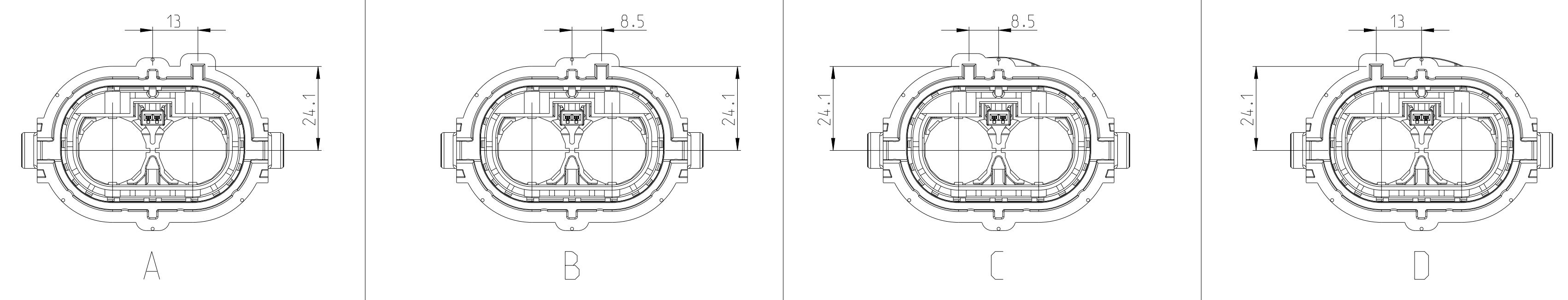
NAME: 2 POS. HVP800, 180, 35 SQMM, CABLE ASSY

SIZE: A1 CAGE CODE: - DRAWING NO: - RESTRICTED TO: -
 SCALE: 1:1 SHEET 1 OF 2 REV: F1

CODINGS - 1:1

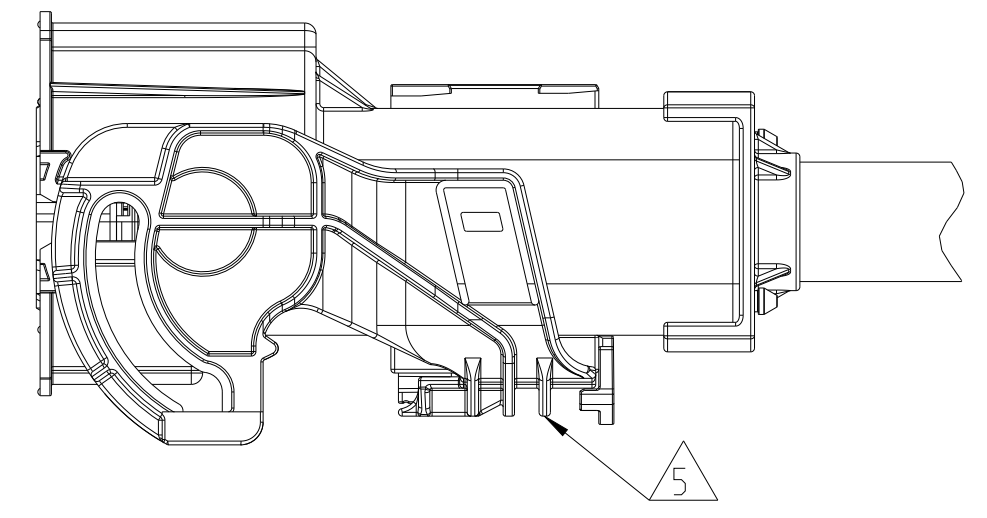
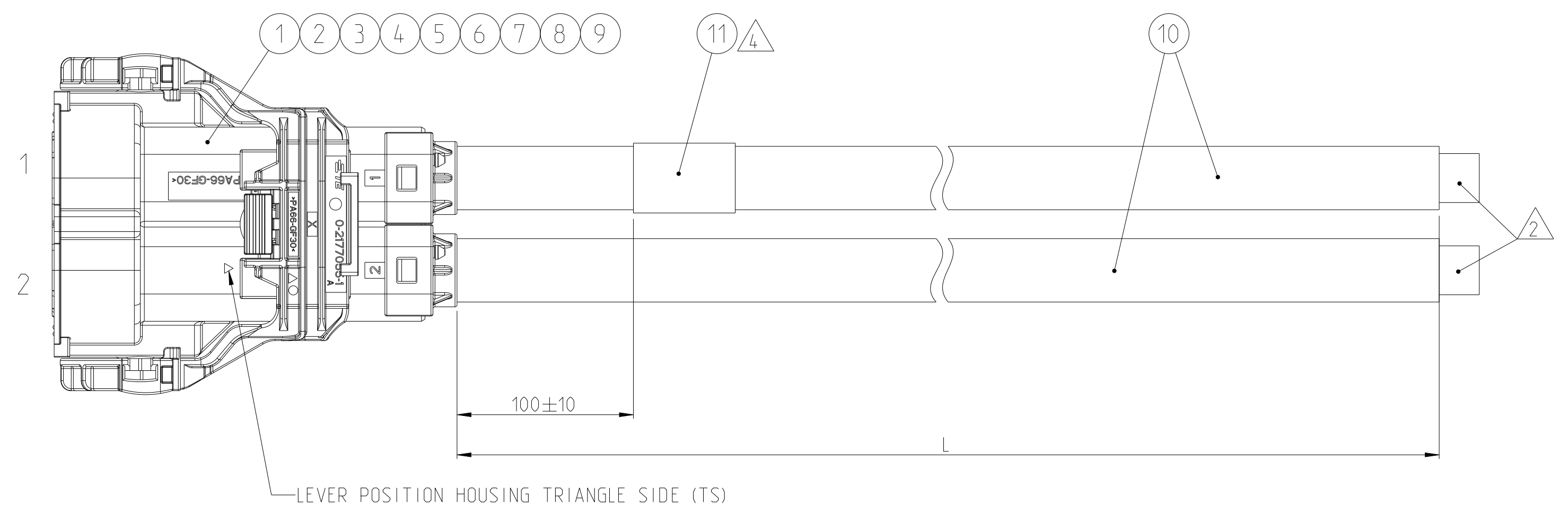
THE DRAWING SHOWS THE 2-DIMENSIONAL REFERENCE COMPONENT CONDITION OF THE ASSEMBLY TO IDENTIFY AND SPECIFY THE NECESSARY DIMENSIONS ONLY. THE DELIVERED PARTS MAY DEVIATE FROM THE DRAWING REGARDING THE ORIENTATION AND POSITION OF EACH COMPONENT (e.g. SLACK CABLE), SO FAR THE FUNCTIONALITY IS NOT CONCERNED.

REVISIONS				
P	LTN	DESCRIPTION	DATE	APVD
-		SEE SHEET 1	-	-



NOTES

- 1 PACKAGING:
HOUSING WRAPPED IN FOAM AND FIXED WITH RUBBER BAND.
CABLE ASSEMBLY PROTECTED BY PAPER CUSHIONS INSIDE OF STANDARD BOX ACCORDING TE SPEC. 107-18087, 107-18064. DAMAGED TO BE AVOIDED.
- ⚠ ELECTRICAL TEST ACCORDING TE SPECIFICATION 108-18857. USE CURRENT REVISION ALWAYS.
MIN. 10 mm STRIPPING OF OUTER JACKET AND BRAID FOR ELECTRICAL TEST PURPOSE.
- ⚠ PRODUCT SPECIFICATION: 108-94297, 108-94451
APPLICATION SPECIFICATION: 114-94130, 114-94325
- ⚠ MANUFACTURING CODE:
TE PART NO., CURRENT REV. LEVEL AND DATE CODE (DD.MM.YY).
TO BE PRINTED ON LABEL (ITEM 11).
- ⚠ LABEL TO BE APPLIED TO THE CABLE AFTER SUCCESSFUL ELECTRICAL TEST.
- ⚠ LEVER POSITION: CLOSED ON DELIVERY



⚠ LABEL LEGEND:

TE PN: X-2286938-Y Rev. CURRENT REV.

DD/MM/YY DATE CODE

2.7 kV DC TEST PASSED

TE PART NO.	REV.	LENGTH L (mm)	TOL (mm)	CODING	LEVER POSITION	
OBSELETE	5-2286938-0	F	500	+30	A	TS
OBSELETE	5-2286938-1	F	1000	+30		
OBSELETE	5-2286938-2	F	2000	+35		
OBSELETE	5-2286938-3	F	3000	+40		
OBSELETE	5-2286938-4	F	4000	+50		
OBSELETE	5-2286938-5	F	5000	+60		
OBSELETE	6-2286938-0	F	500	+30	B	TS
OBSELETE	6-2286938-1	F	1000	+30		
OBSELETE	6-2286938-2	F	2000	+35		
OBSELETE	6-2286938-3	F	3000	+40		
OBSELETE	6-2286938-4	F	4000	+50		
OBSELETE	6-2286938-5	F	5000	+60		
OBSELETE	7-2286938-0	D	500	+30	C	TS
OBSELETE	7-2286938-1	D	1000	+30		
OBSELETE	7-2286938-2	D	2000	+35		
OBSELETE	7-2286938-3	D	3000	+40		
OBSELETE	7-2286938-4	D	4000	+50		
OBSELETE	7-2286938-5	D	5000	+60		
OBSELETE	8-2286938-0	D	500	+30	D	TS
OBSELETE	8-2286938-1	D	1000	+30		
OBSELETE	8-2286938-2	D	2000	+35		
OBSELETE	8-2286938-3	D	3000	+40		
OBSELETE	8-2286938-4	D	4000	+50		
OBSELETE	8-2286938-5	D	5000	+60		

QTY	QTY	QTY	QTY	DESCRIPTION	ITEM NO.
8-x	7-x	6-x	5-x		
1	1	1	1	LABEL, HELL. TYP 323, 25.4 x 95.25	11
see table	see table	see table	see table	1 POS. POWER CABLE, 35 SQMM	10
2	2	2	2	SHIELDING SLEEVE, 180 DEG	9
2	2	2	2	INSULATION INSERT, 180 DEG	8
2	2	2	2	8 MM HV. CONTACT, ASSY	7
2	2	2	2	PROTEC. COVER 8 MM HV, 90 DEG, 35 SQMM	6
2	2	2	2	SINGLE WIRE SEAL, 8 MM HV, 90 DEG, 35 SQMM	5
2	2	2	2	SHIELDING CRIMP FERRULE, 180 DEG OUTER	4
2	2	2	2	PROTECTION CAP, 180 DEG	3
2	2	2	2	SHIELD CRIMP FERRULE, 180 DEG INNER	2
1	-	-	-	2 POS, 8 MM HV, REC HSG, 180 DEG, ASSY, SEALED, COD D LEVER POSITION: TRIANGLE SIDE (TS)	1
-	1	-	-	2 POS, 8 MM HV, REC HSG, 180 DEG, ASSY, SEALED, COD C LEVER POSITION: TRIANGLE SIDE (TS)	
-	-	1	-	2 POS, 8 MM HV, REC HSG, 180 DEG, ASSY, SEALED, COD B LEVER POSITION: TRIANGLE SIDE (TS)	
-	-	-	1	2 POS, 8 MM HV, REC HSG, 180 DEG, ASSY, SEALED, COD A LEVER POSITION: TRIANGLE SIDE (TS)	

TOLERANZ EN ISO 8015
TOLERIERUNG EN ISO 8015

DIESE ZEICHNUNG IST EIN KONTROLLIERTES DOKUMENT.
BEMASSUNGEN UND TOLERANZEN GEMAESS GPS (ISO STANDARDS).

THIS DRAWING IS A CONTROLLED DOCUMENT.
DIMENSIONING AND TOLERANCING PER GPS (ISO STANDARDS)

APVD: D. Snajder 07APR2015
J. Jancek 07APR2015

APVD: R. Hort 07APR2015

PRODUCT SPEC

APPLICATION SPEC

WEIGHT

CUSTOMER DRAWING

STE TE Connectivity

NAME: 2 POS. HVP800, 180, 35 SQMM, CABLE ASSY

SIZE: A1 CAGE CODE: - DRAWING NO: C=2286938

RESTRICTED TO

SCALE: 1:1 SHEET: 2 OF 2 REV: F1