

LOC	DIST	REVISIONS					
		P	LTN	DESCRIPTION	DATE	DMN	APVD
A1	-	A5	E-15-000302		15 JUL 2015	AL	MR
		C	E-16-018014		04 JAN 2017	AW	MR
		C1	E-16-008886		11 JUN 2018	MW	MR
		C2	E-19-013099		26 AUG 2019	YC	DF

- NOTES  
Bemerkung
- ONLY THE GERMAN LANGUAGE SHALL BE BINDING  
Massgebend ist der deutsche Text
  - DETAILS OF DESIGN ARE LEFT TO TE CONNECTIVITY  
Einzelheiten der Ausfuehrung bleiben TE CONNECTIVITY ueberlassen
  - HSD INTERFACE ACC. TO TE SPEC. 114-18950  
HSD Schnittstelle nach TE-Spez. 114-18950
  - PACKAGING TAPE AND REEL  
Verpackung Blistergurt
  - MARKING OF 100% TEST PASSED  
Gutteilmarkierung nach bestandener 100% Pruefung
  - FOR FITTING HSD CONNECTOR PLEASE CONTACT TE CONNECTIVITY.  
Fuer passenden HSD Gegenstecker bitte TE Connectivity kontaktieren.
  - ALL DIMENSIONS IN BRACKETS () FOR INFORMATION ONLY  
Alle Masse in Klammern () nur zur Information
  - CENTER OF GRAVITY  
Schwerpunkt
  - PCB LAYOUT ACCORDING TO TE SPEC. 114-94381  
Platinenlayout nach TE-Spez. 114-94381

WEIGHT [g]: 9.82  
Gewicht [g]: 9.82

AS SHOWN / wie gezeigt Codierung Z

QTY	DESCRIPTION	MATERIAL	FINISH COLOUR, SIMILAR RAL	ITEM NO
1	SHIELDING CONTACT Schirmkontakt	CuSn4	TIN PLATING Verzinnung	8
1	SHIELDING CAP Schirmkappe	CuZn37	TIN PLATING Verzinnung	7
1	SHIELDING TUBE Schirmrohr	Cu-DHP	INTERFACE SIDE: NICKEL PLATING MIN. 3-6 $\mu$ m Steckseite: Vernickelung min. 3-6 $\mu$ m	6
1	SHIELDING BODY Schirmgehäuse	ZnAl4Cu1	SOLDER SIDE: TIN PLATING Lotseite: Verzinnung	5
2	CONTACT PIN (LONG) Kontaktpin (Lang)	CuSn4	SOLDER SIDE: TIN PLATING MIN 3 $\mu$ m Lotseite: Verzinnung min. 3 $\mu$ m INTERFACE SIDE: GOLD PLATING Steckseite: Vergoldung	4
2	CONTACT PIN (SHORT) Kontaktpin (kurz)			3
1	CAVITY BLOCK Kontaktraeger	PA4T-GF30 or alternative	BLACK	2
			LIGHT GREEN. 6027	1
			PASTEL ORANGE. 2003	
			YELLOW GREEN. 6018	
			CURRY. 1027	
			BEIGE. 1001	
			HEATHER VIOLET. 4003	
			BLuish GREY. 7031	
			WATER BLUE. 5021	
			NUT BROWN. 8011	
			LEAF GREEN. 6002	
			CLARET VIOLET. 4004	
			SIGNAL BLUE. 5005	
			CREAM WHITE. 9001	
			JET BLACK. 9005	

SERIAL	QUANTITY													CODE	DESCRIPTION	MATERIAL	FINISH COLOUR, SIMILAR RAL	ITEM NO	
	0-1	0-2	0-3	0-4	0-5	0-6	0-9	1-1	1-2	1-3	1-4	1-5	1-6						1-9
															ASSY NO, X-2286797-X				
	A	B	C	D	E	F	Z	G	H	J	K	L	M	O		ASSY CODE			
	C	C	C	C	C	C	C	C	C	C	C	C	C	C		REVISION			

THIS DRAWING IS A CONTROLLED DOCUMENT.

DMN: A. Weiss 21 JUL 2014  
 CHK: M. Reinhardt 21 JUL 2014  
 APVD: M. Reinhardt 21 JUL 2014

DIMENSIONS: mm  
 TOLERANCES UNLESS OTHERWISE SPECIFIED:  
 0 PLC  $\pm 0.3$   
 1 PLC  $\pm 0.3$   
 2 PLC  $\pm 0.3$   
 3 PLC  $\pm$   
 4 PLC  $\pm$   
 ANGLES  $\pm$

MATERIAL: -  
 FINISH: -

Customer Drawing

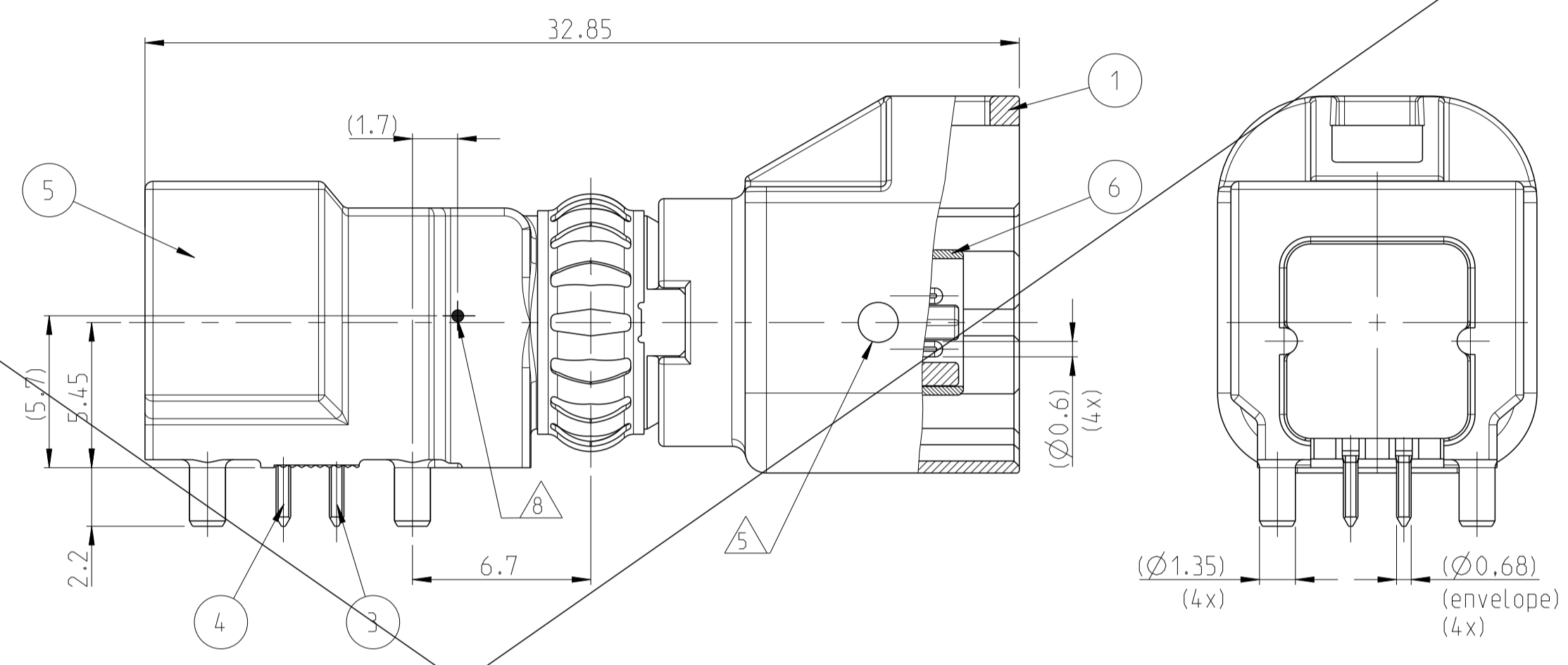
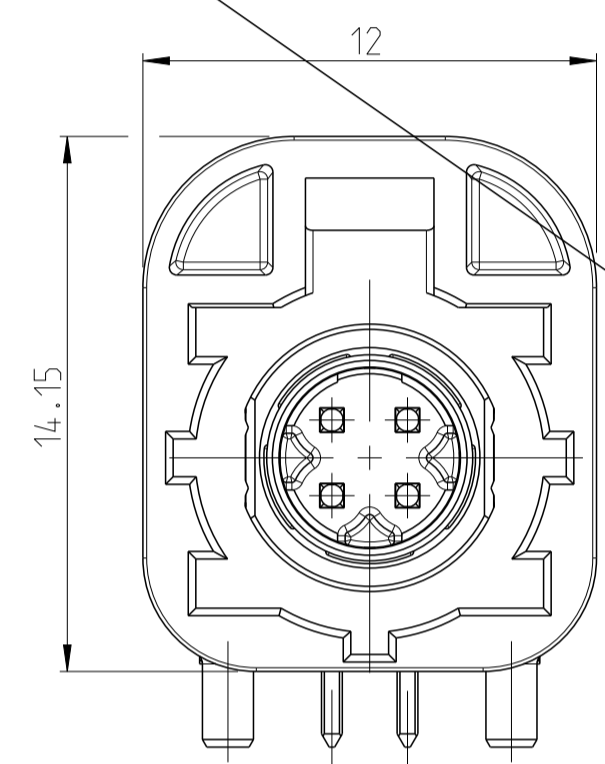
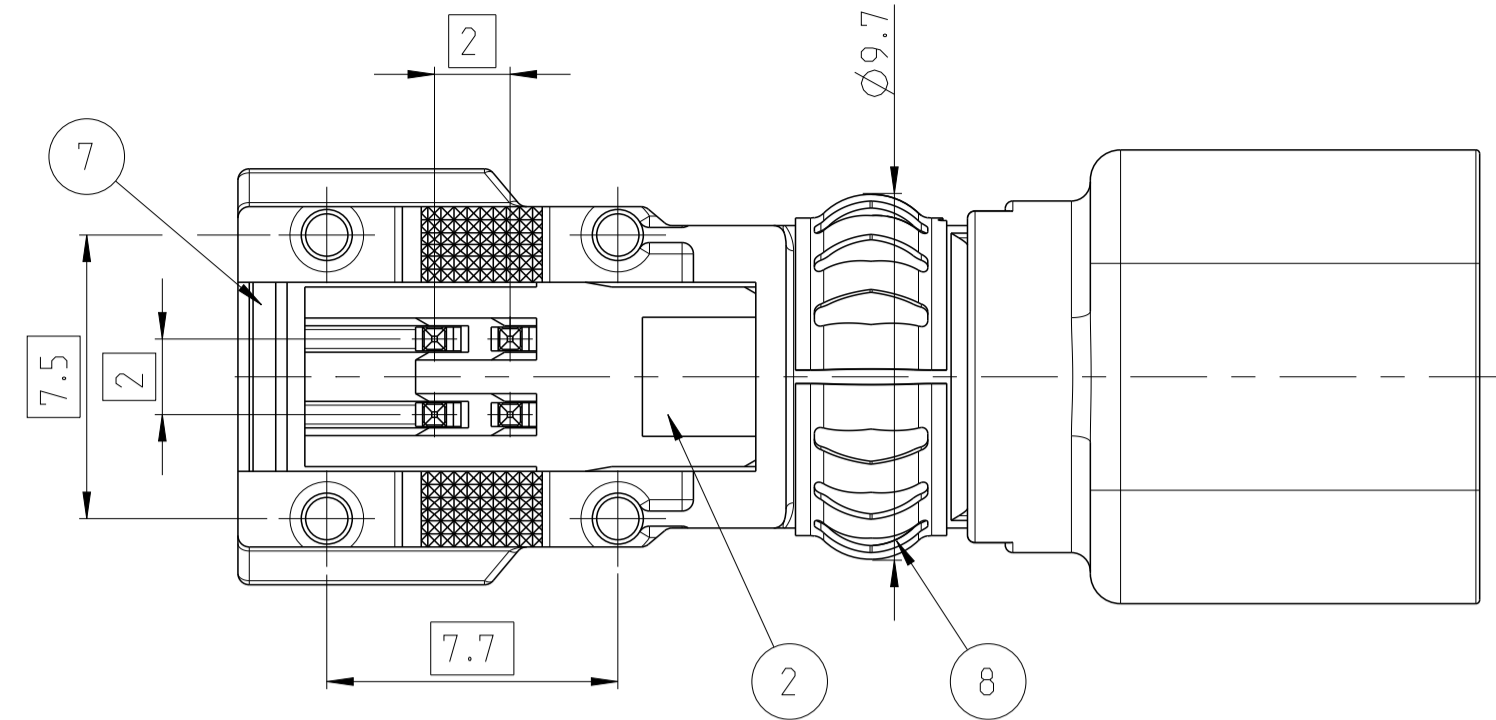
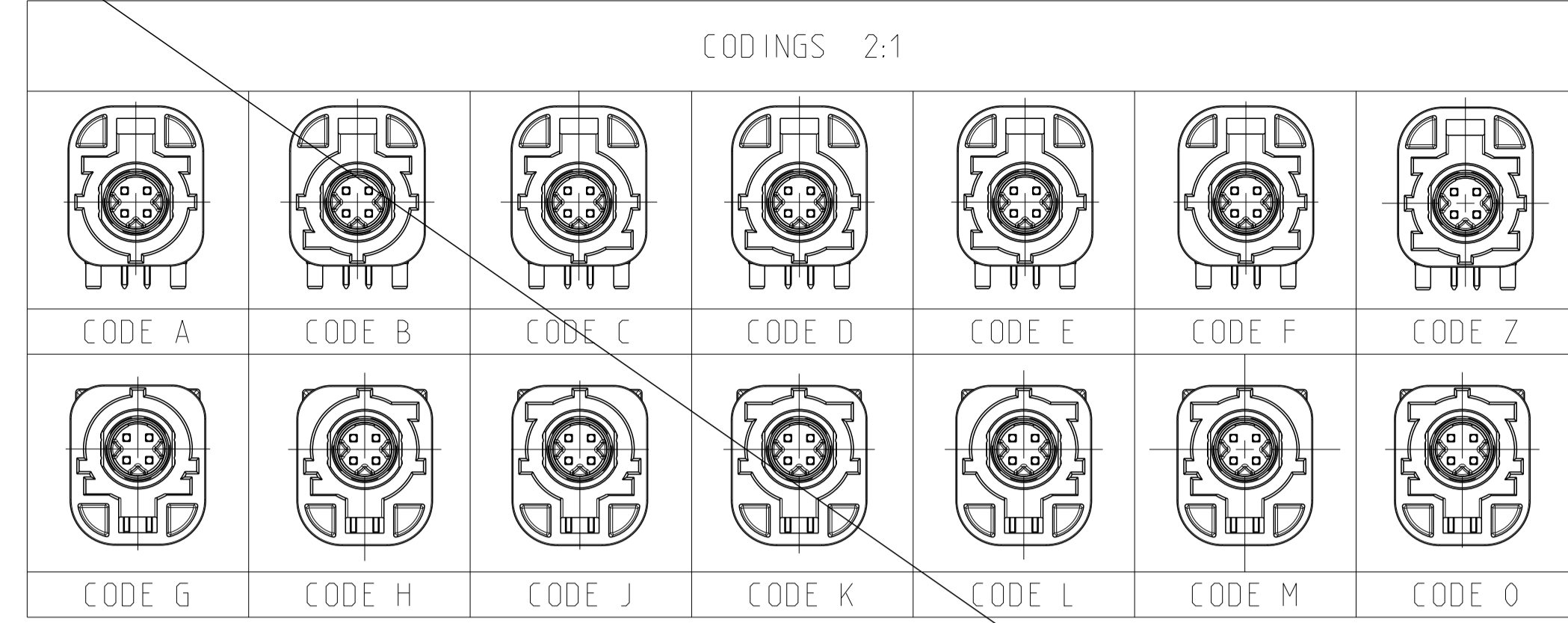
NAME: HSD 90 HEADER, SHIELDING CONTACT  
 HSD 90 Stecker, Schirmkontakt

SIZE: A1  
 CAGE CODE: 00779  
 DRAWING NO: C=2286797

RESTRICTED TO: -

SCALE: 5:1  
 SHEET: 1 OF 2  
 REV: C2

REVISONS		DATE	CHK	APVD
LOC	DIST			
-	-			
-	-	SEE SHEET 1	-	-
-	-		-	-
-	-		-	-
-	-		-	-



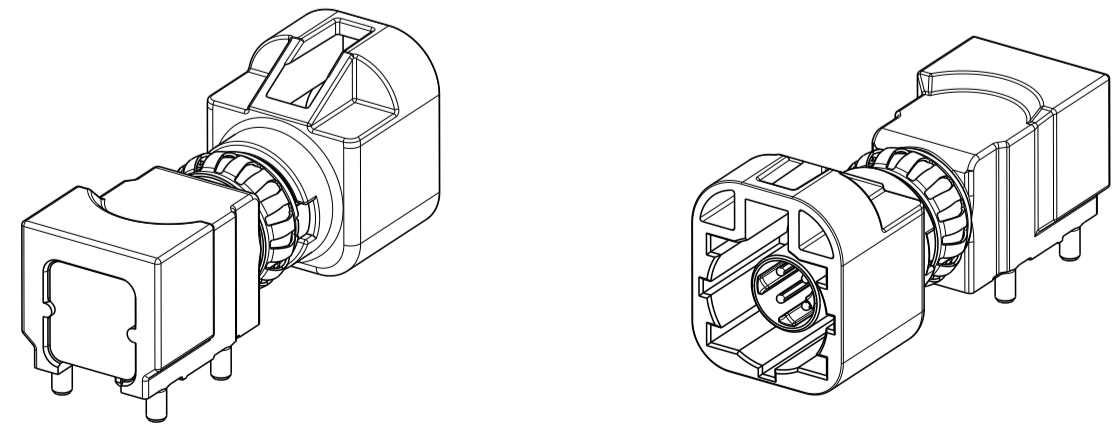
- NOTES  
Bemerkung
- ONLY THE GERMAN LANGUAGE SHALL BE BINDING  
Massgebend ist der deutsche Text
  - DETAILS OF DESIGN ARE LEFT TO TE CONNECTIVITY  
Einzelheiten der Ausfuehrung bleiben TE CONNECTIVITY ueberlassen
  - HSD INTERFACE ACC. TO TE SPEC. 114-18950  
HSD Schnittstelle nach TE-Spez. 114-18950
  - PACKAGING TAPE AND REEL  
Verpackung Blistergurt
  - MARKING OF 100% TEST PASSED  
Gutteilmarkierung nach bestandener 100% Pruefung
  - FOR FITTING HSD CONNECTOR PLEASE CONTACT TE CONNECTIVITY.  
Fuer passenden HSD gegenstecker bitte TE Connectivity kontaktieren.
  - ALL DIMENSIONS IN BRACKETS () FOR INFORMATION ONLY  
Alle Masse in Klammern () nur zur Information
  - CENTER OF GRAVITY  
Schwerpunkt
  - PCB LAYOUT ACCORDING TO TE SPEC. 114-94319  
Platinenlayout nach TE-Spez. 114-94319

WEIGHT [g]: 10.19  
Gewicht [g]: 10.19  
AS SHOWN / wie gezeigt Codierung Z

**OBSOLETE**

**B-SAMPLES**

SCALE 2:1



QTY	DESCRIPTION	MATERIAL	FINISH COLOUR, SIMILAR RAL	ITEM NO
1	SHIELDING CONTACT Schirmkontakt	CuSn4	PRE TIN PLATING Vorverzinnung	8
1	SHIELDING CAP Schirmkappe	CuZn37	TIN PLATING Verzinnung	7
1	SHIELDING TUBE Schirmrohr	CuSn4	INTERFACE SIDE: NICKEL PLATING MIN. 3-6µm Steckseite: Vernickelung min. 3-6µm	6
1	SHIELDING BODY Schirmgehaeuse	ZnAl4Cu1	SOLDER SIDE: TIN PLATING Lötseite: Verzinnung	5
2	CONTACT PIN (LONG) Kontaktpin (lang)	CuSn4	SOLDER SIDE: TIN PLATING MIN 3µm Lötseite: Verzinnung min. 3µm	4
2	CONTACT PIN (SHORT) Kontaktpin (kurz)	CuSn4	INTERFACE SIDE: GOLD PLATING Steckseite: Vergoldung	3
1	CAVITY BLOCK Kontakttraeger	LCP or alternative	BLACK	2
1	CODING COVER Kodierkappe	PPA-GF25	BLACK LIGHT GREEN, 6027 PASTEL ORANGE, 2003 YELLOW GREEN, 6018 CURRY, 1027 BEIGE, 1001 HEATHER VIOLET, 4003 BLUISH GREY, 7031 WATER BLUE, 5021 NUT BROWN, 8011 LEAF GREEN, 6002 CLARET VIOLET, 4004 SIGNAL BLUE, 5005 CREAM WHITE, 9001 JET BLACK, 9005	1

PILOT	8-1	8-2	8-3	8-4	8-5	8-6	8-9	9-1	9-2	9-3	9-4	9-5	9-6	9-9	QUANTITY	CODE	DESCRIPTION	MATERIAL	FINISH COLOUR, SIMILAR RAL	ITEM NO
A																				
B																				
C																				

THIS DRAWING IS A CONTROLLED DOCUMENT.

DWN: A. Weiss 21JUL2014  
 CHK: M. Reinhardt 21JUL2014  
 APVD: M. Reinhardt 21JUL2014

DIMENSIONS: mm  
 TOLERANCES UNLESS OTHERWISE SPECIFIED:  
 0 PLC ± 0.5  
 1 PLC ± 0.5  
 2 PLC ± 0.5  
 3 PLC ± 0.5  
 4 PLC ± 0.5  
 ANGLES ± 0.5

MATERIAL: -  
 FINISH: -

PRODUCT SPEC: 108-94447  
 APPLICATION SPEC: 114-94319

WEIGHT: -  
 CAGE CODE: 00779  
 DRAWING NO: 2286797

RESTRICTED TO: -  
 SCALE: 5:1  
 SHEET: 2 OF 2  
 REV: C2

Customer Drawing