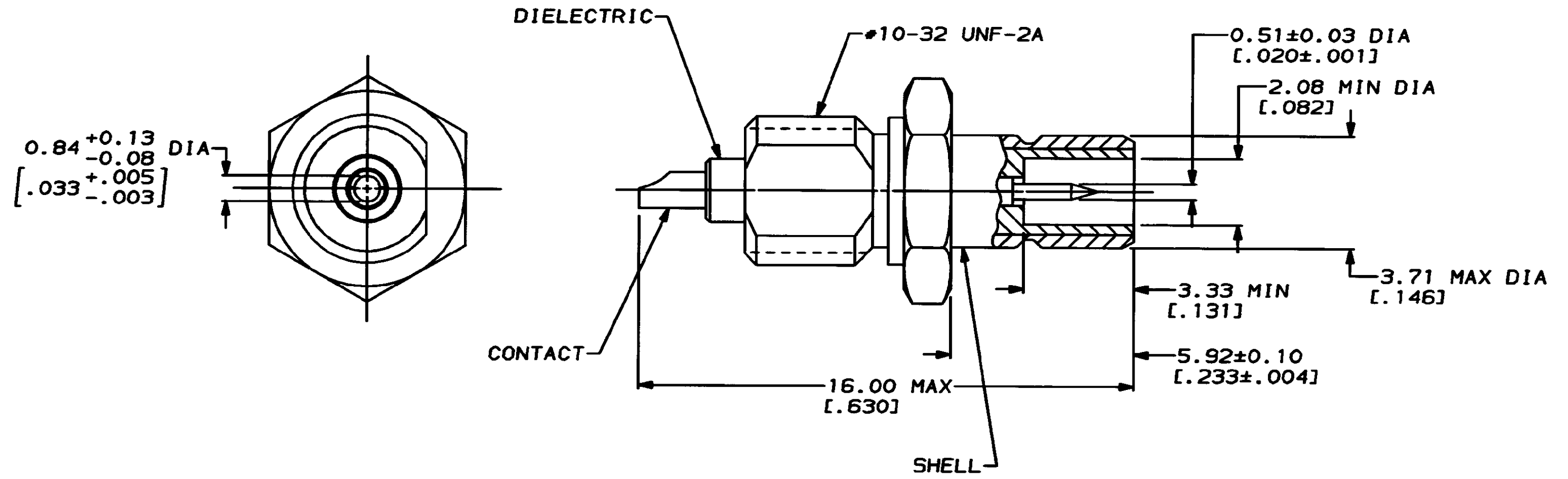


THIS DRAWING IS UNPUBLISHED. RELEASED FOR PUBLICATION, 19 .
 © COPYRIGHT 19 BY AMP INCORPORATED. ALL INTERNATIONAL RIGHTS RESERVED.

| | | | | | | | | | |
|-----|------|---|---|-----------|-----|--------------------------------------|---------|------|------|
| LOC | DIST | P | F | REVISIONS | | | | DATE | APPD |
| AJ | 16 | | | ZONE | LTR | DESCRIPTION | | | |
| | | | | | C | REDRAWN ON CAD & REV PER ECN AJ-5848 | 3-23-92 | JG | |



- ① MATERIAL:
SHELL & CONTACT: BRASS PER QQ-B-626
DIELECTRIC: PTFE PER MIL-P-19468A
- ② FINISH:
SHELL: NICKEL PLATE PER QQ-N-290
CONTACT: GOLD PLATE PER MIL-G-45204
- ③ FINISH:
SHELL: GOLD PLATE PER MIL-G-45204
CONTACT: GOLD PLATE PER MIL-G-45204

| | | |
|--------|----------|-------------|
| ③ | ① | 228220-2 |
| ② | ① | 228220-1 |
| FINISH | MATERIAL | PART NUMBER |

3348-300-121

| | | |
|--|-----------------------------|---|
| DO NOT SCALE PRINT. UNLESS SPECIFIED DIMENSIONS IN IN (INCHES) TOLERANCES ON: 2 PLC DEC ± - 3 PLC DEC ± - ANGLES ± - | DR 3-23-92 J.BALLUCCI BB | AMP AMP Incorporated Harrisburg, PA 17105-3608 |
| | CHK 01/04/93 S.NICHOL | |
| MATERIAL SEE TABLE | APPD 01/04/93 S.NICHOL | NAME CONNECTOR, COAXIAL, R.F. SERIES SMB FRONT MOUNT BULKHEAD SOLDER JACK ASSY |
| | APPD 01/04/93 J.DAVIS | |
| FINISH SEE TABLE | PRODUCT SPEC - | SIZE B |
| | APPLICATION SPEC - | CAGE CODE 00779 |
| WEIGHT - | | DRAWING NO 228220 |
| | | SCALE 4:1 |
| | | SHEET 1 OF 1 |