

THIS DRAWING IS UNPUBLISHED.

RELEASED FOR PUBLICATION

20

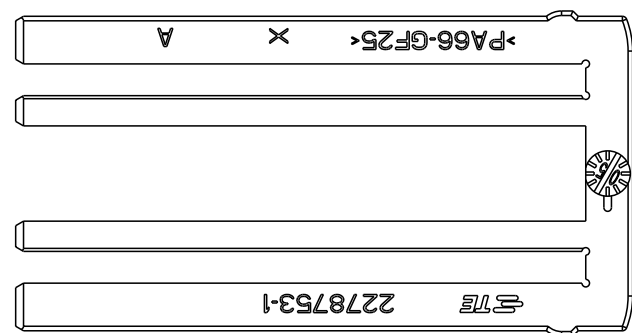
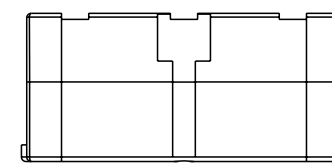
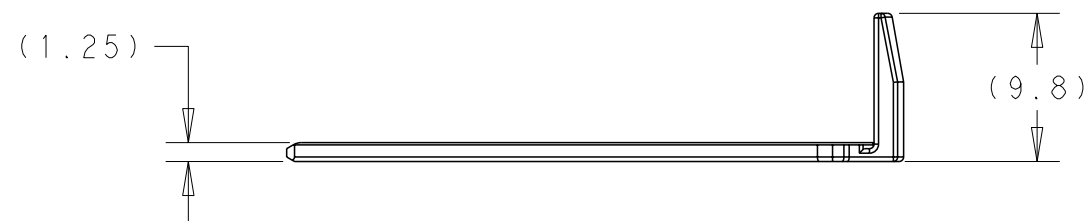
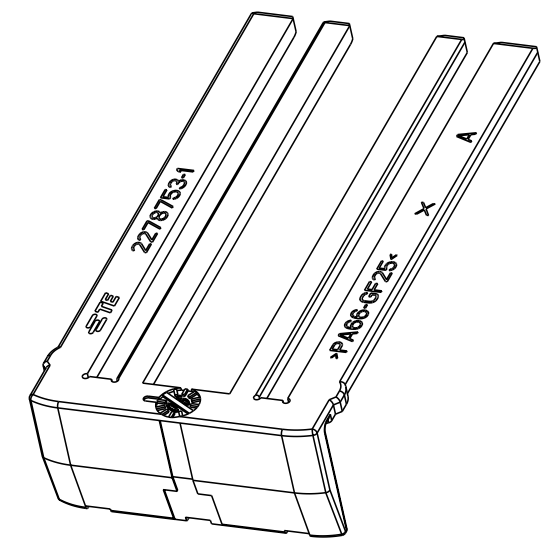
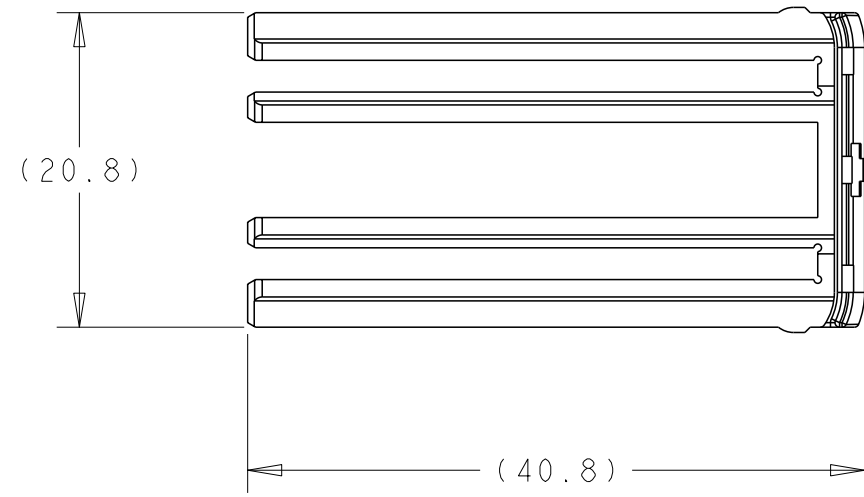
© COPYRIGHT 20

BY -

ALL RIGHTS RESERVED.

REVISIONS

P	LTR	DESCRIPTION	DATE	DWN	APVD
	A	FIRST RELEASE	16DEC2014	JZ	SY



NOTES:

- 1. DELIVERED CONDITION: LOOSE PIECES.

MATED WITH 2278748-1

1x	PA66-GF25	RED	TPA1	1
2278753-1	MATERIAL	COLOUR	DESCRIPTION	ITEM

THIS DRAWING IS A CONTROLLED DOCUMENT.

DIMENSIONS: mm	TOLERANCES UNLESS OTHERWISE SPECIFIED:
	0 PLC ±
	1 PLC ±
	2 PLC ±
	3 PLC ±
	4 PLC ±
	ANGLES ±
MATERIAL -	FINISH -

DWN	J. Zhu	16DEC2014
CHK	A. Dang	16DEC2014
APVD	SY. Wang	16DEC2014
PRODUCT SPEC	-	-
APPLICATION SPEC	-	-
WEIGHT	-	-

STE TE Connectivity			
NAME TPA1 FOR 43 WAY PLUG, SEALING			
SIZE	CAGE CODE	DRAWING NO	RESTRICTED TO
A3	00779	C-2278753	-
CUSTOMER DRAWING		SCALE 2:1	SHEET 1 OF 1 REV A