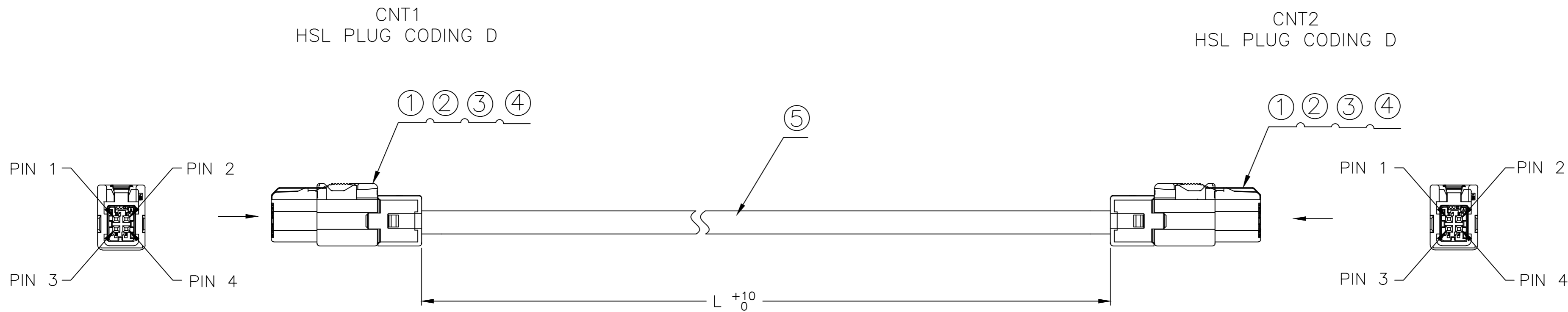


LOC	DIST	REVISIONS					
ES	00	P	LTR	DESCRIPTION	DATE	DWN	APVD
		A		RELEASED	28SEP2014	T.W	B.T



CNT1 PIN NO.	WIRE COLOR	FUNCTION	CNT2 PIN NO.
1	GREEN	SIGNAL-	1
2	WHITE	SIGNAL+	2
3	RED	GND	3
4	BLACK	GND	4
SHIELD	BRAIDING	BRAIDING	SHIELD

TE P/N	'L'
2278375-2	600
2278375-1	330

NOTE:

- ELECTRICAL TEST: 100% FOR CONTINUITY AND SHORT CIRCUIT (CONDUCTOR AND SCREEN). GENERALLY ELECTRICAL TEST ACCORDING TO TE SPECIFICATION 108-18857.
- DIMENSION OF LENGTHS ARE EXTENDED LENGTHS.
- TE PART NUMBER: 2278375-1/-2
- WIRE POSITION SEE BESIDE TABLE
- TEMPERATURE RATE: -40 TO 85°C
- CABLE INFO:
DIFFERENTIAL IMPEDANCE: 100Ω±10%
GREEN AND WHITE WIRES ARE TWISTED FOR SIGNAL
CABLE IS COVERED BY BRAID SHIELDING.

QTY	U/M	DESCRIPTION	ITEM
-	MM	LVDS CABLE 100Ω, 1P+2C 26AWG	5
8	PC	TERMINAL	4
2	PC	HSL SHELL ASSY	3
2	PC	HSL SUB ASSY	2
2	PC	HSL HOUSING CODE D	1

THIS DRAWING IS A CONTROLLED DOCUMENT.		DWN T.WANG	02APR2014	STE TE Connectivity	
DIMENSIONS: mm		CHK P.WU	28SEP2014		
TOLERANCES UNLESS OTHERWISE SPECIFIED:		APVD B.TANG	28SEP2014	NAME	
0 PLC ± -		PRODUCT SPEC		HSL-HSL CABLE ASSY, 100ohm LVDS	
1 PLC ± -		APPLICATION SPEC		SIZE	CAGE CODE
2 PLC ± -		WEIGHT		A2	00779
3 PLC ± -		CUSTOMER DRAWING		DRAWING NO	©=2278375
4 PLC ± -		SCALE		SHEET	1 of 1
ANGLES ± -		REV		A	
FINISH					