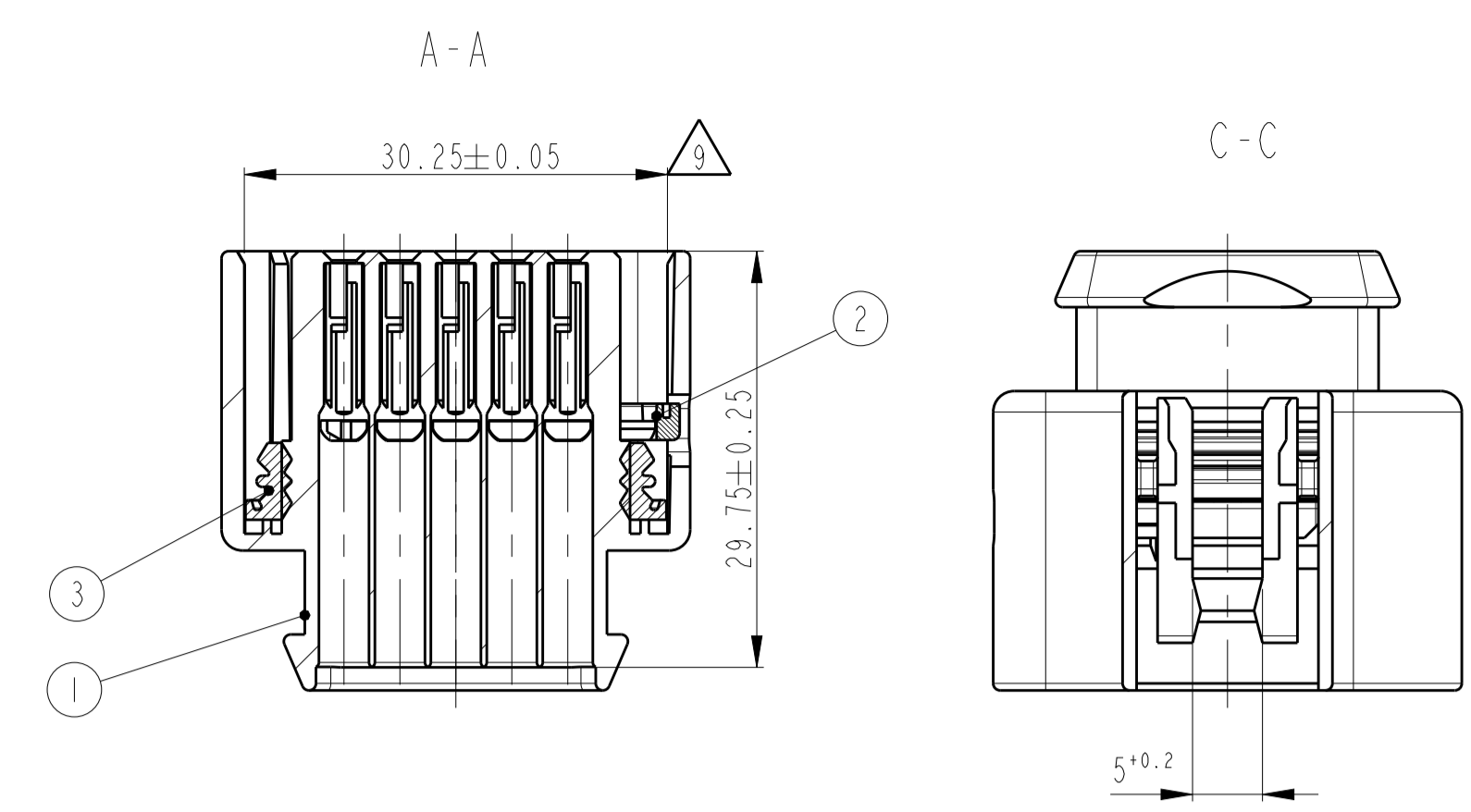
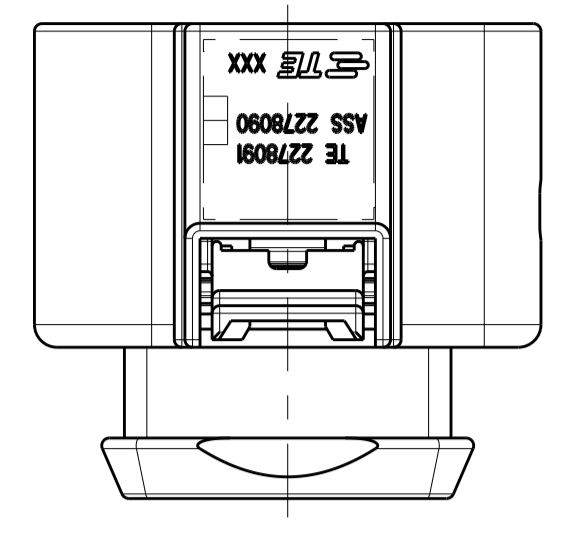
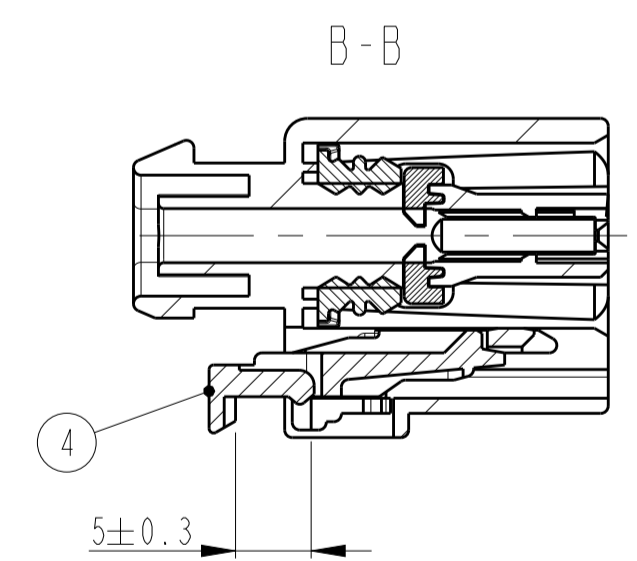
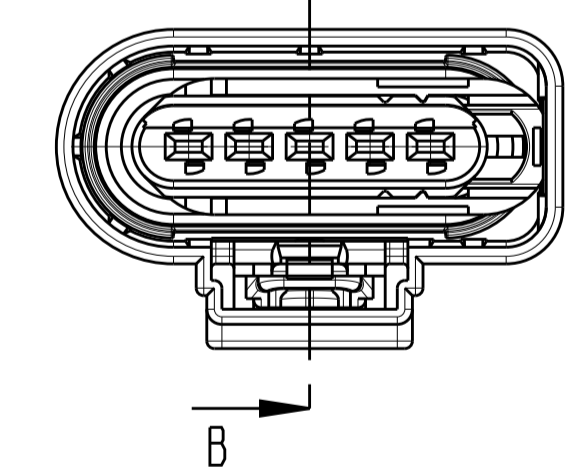
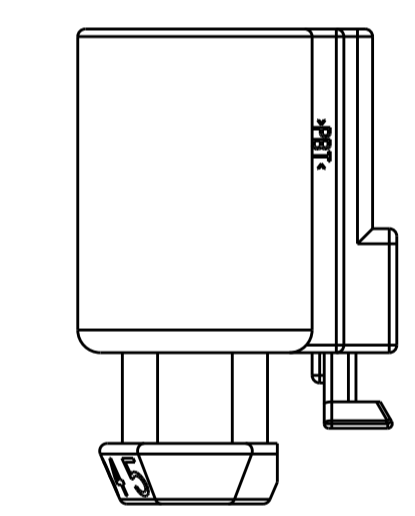
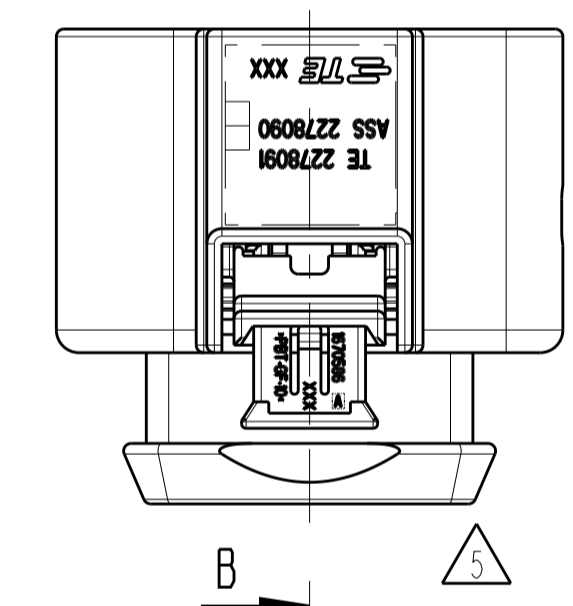
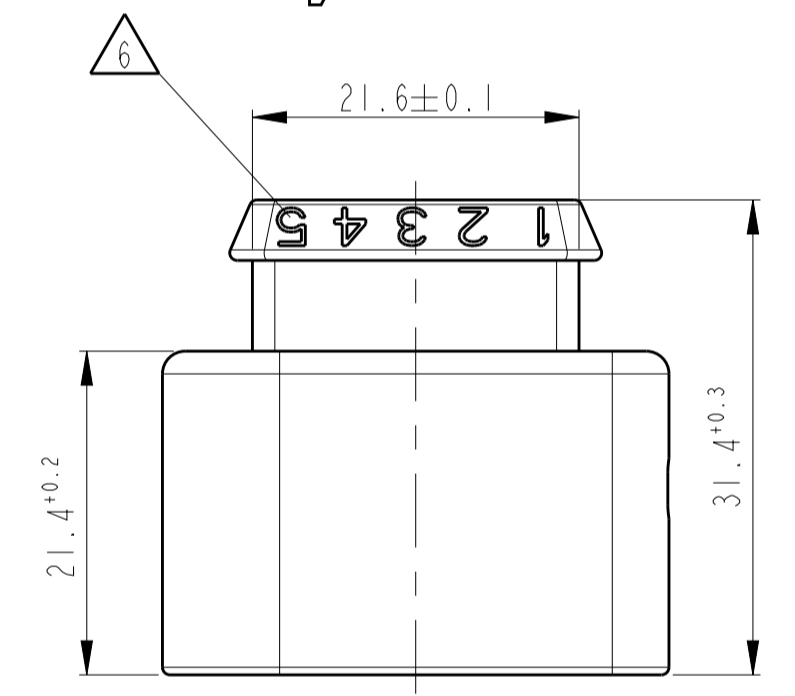
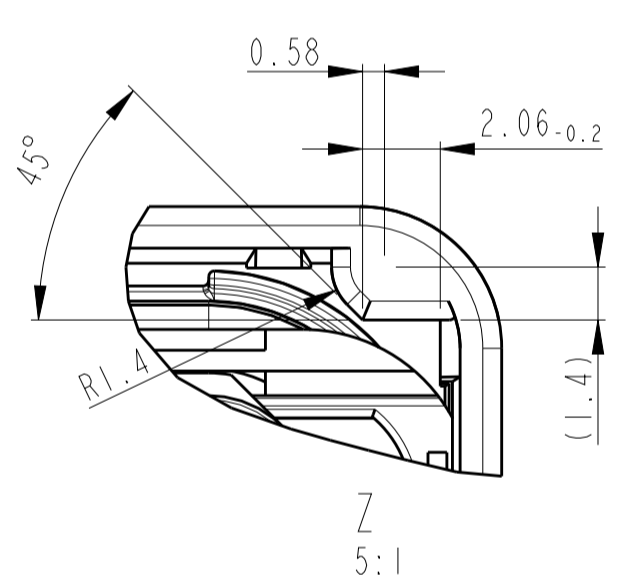
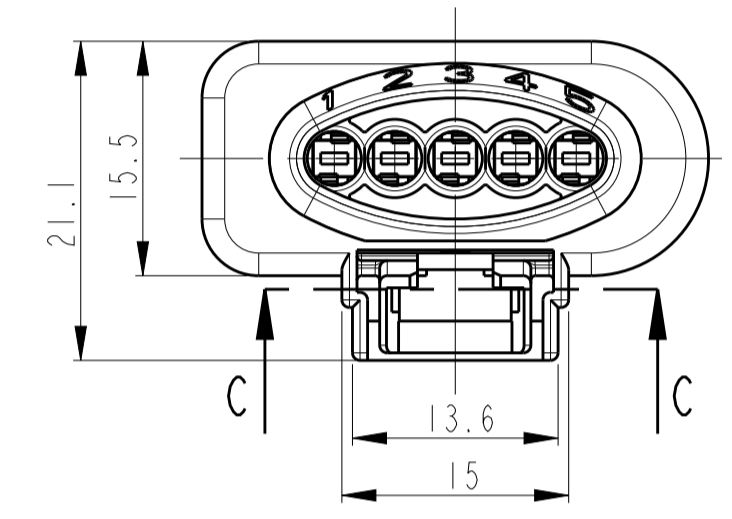
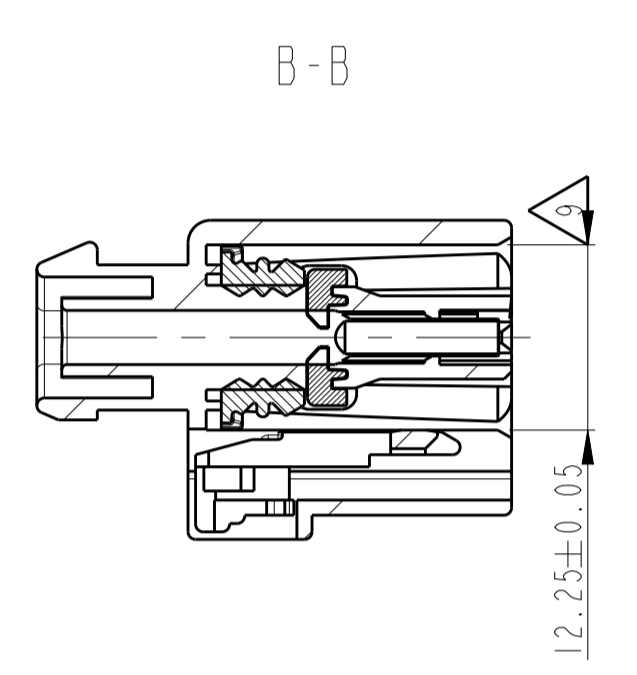
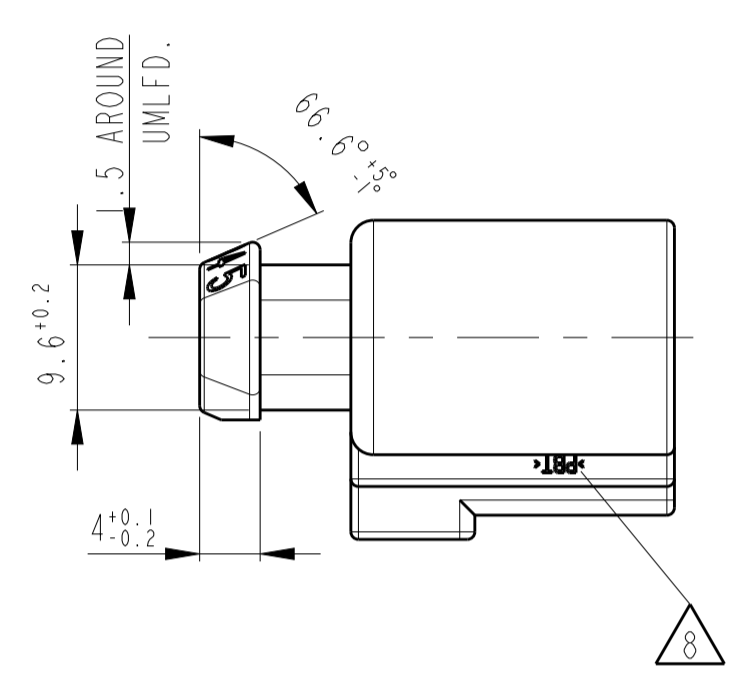
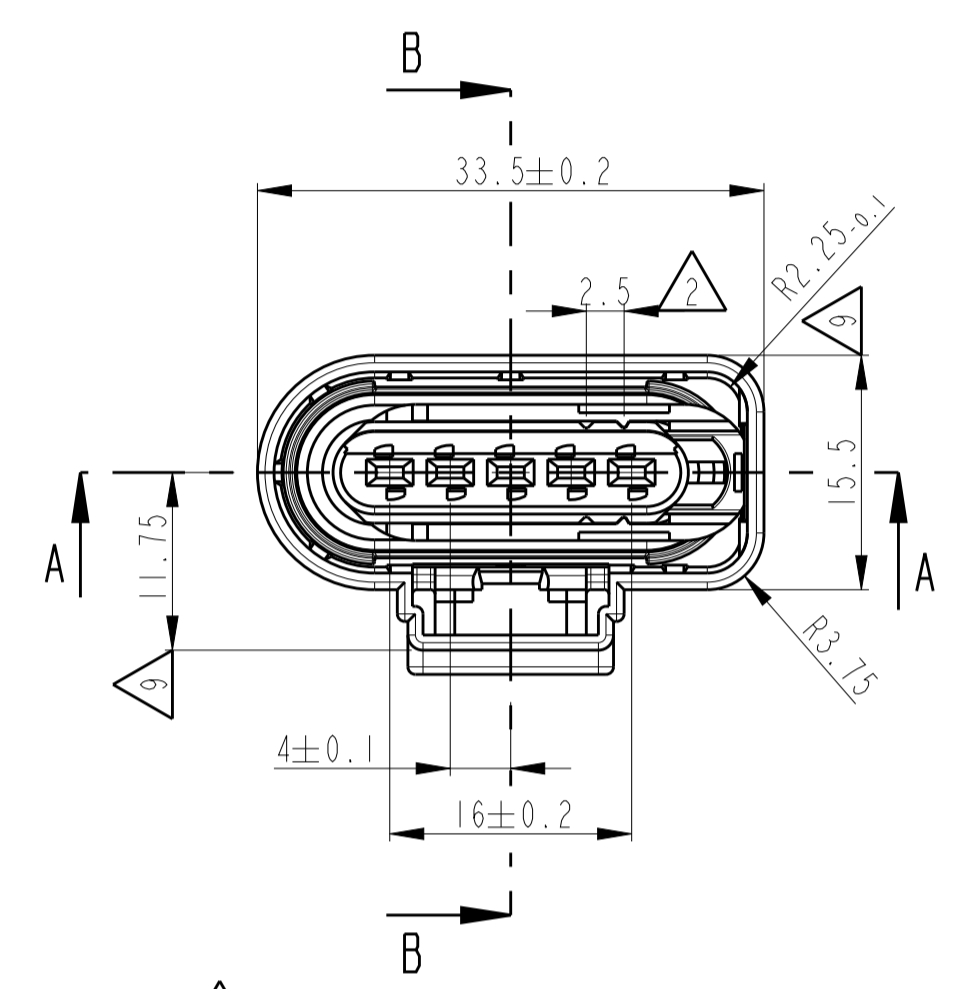
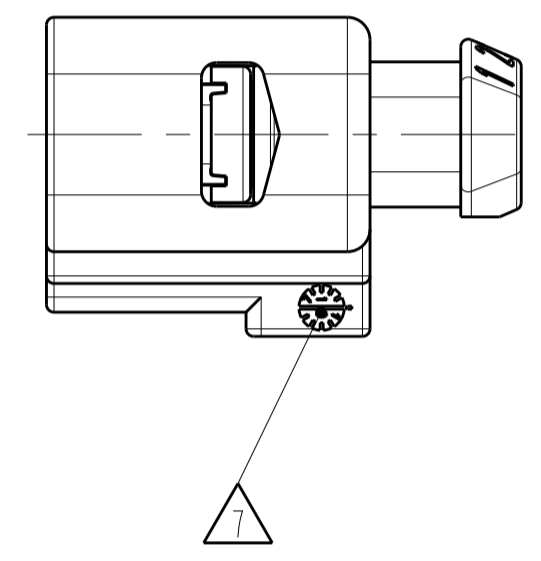


LOC		DIST		REVISIONS			
ES	00	P	LTN	DESCRIPTION	DATE	DMN	APVD
		A		INITIAL RELEASED	27-Dec-13	J. Z	I. Y
		A.1		ECR-14-002907	06-Mar-14	J. Z	I. Y

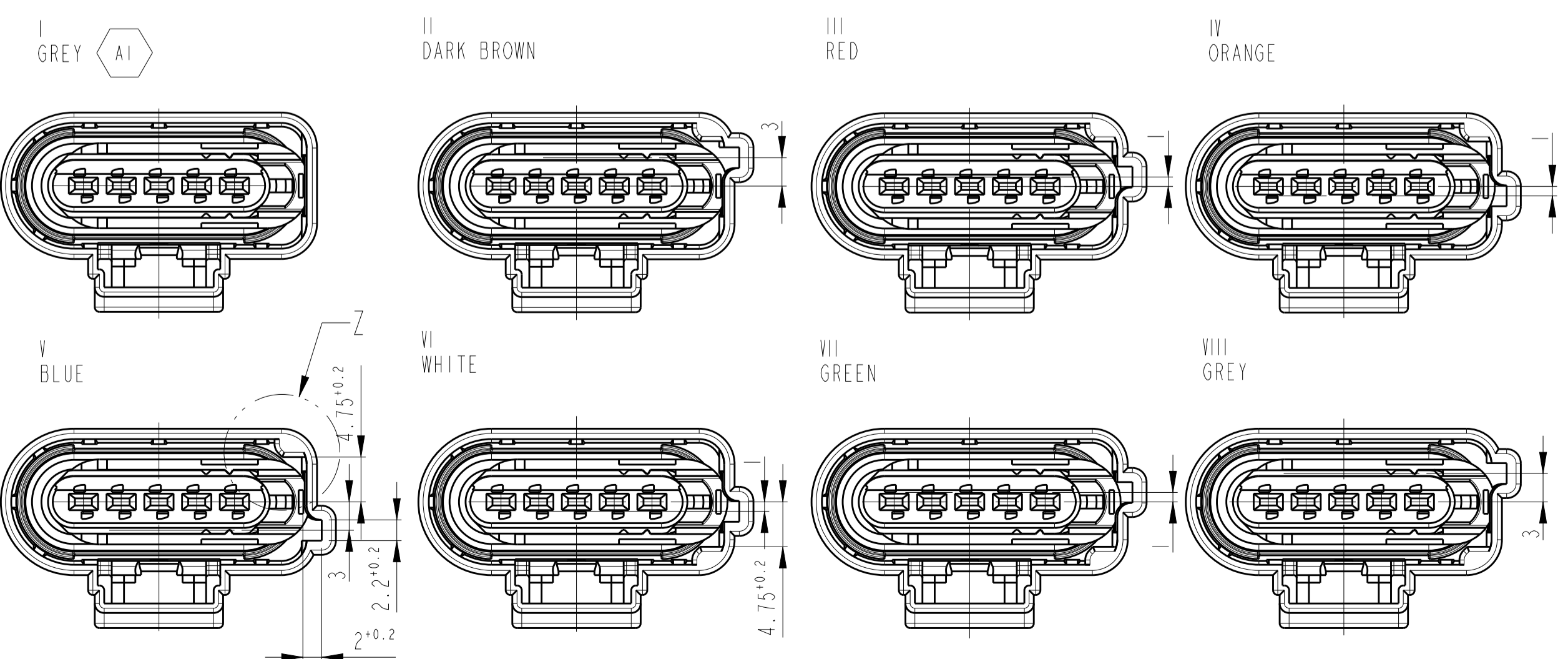


- NOTES
- 1 THE PART 2278090-1 ASSEMBLED F.E. WITH CONTACT 1241380-1, AND WIRE SEALING 964972-1 WILL HAVE THE SUITABLE MATING PART 1-0969920-1
 - 2 CONDITION AS SUPPLIED: RETAINER IN PRE-LOCKED POSITION, AFTER CONTACT LOADING TO DRIFT IN THIS DIRECTION (2.5mm)
 - 3 BULK PACKAGED
 - 4 WITHOUT CPA (CONNECTOR POSITION ASSURANCE)
 - 5 WITH CPA
 - 6 CONTACT CAVITY NUMBER
 - 7 PRODUCTION-DATE
 - 8 MATERIAL MARKING ACC. TO VDA 260
 - 9 ALLOWED WARPAGE ±0.5



CODINGS

2:1



REV	MATERIAL	COLOR	RAL-NO	DESCRIPTION	ITEM NO
5	PBT-GF10	RED	3003	CPA	4
	MVO	NATURAL	-	RADIAL SEAL	3
	PBT-GF10	VIOLET	4006	RETAINER	2
	PBT	GREY	7037	5 POSITION, AMP MCPI.5K	1
	MVO	NATURAL	-	RADIAL SEAL	3
	PBT-GF10	VIOLET	4006	RETAINER	2
	PBT	GREY	7037	5 POSITION, AMP MCPI.5K	1

TE Connectivity

STE

5 POS., AMP MCPI.5K, RECEPTACLE PLUG

Customer Drawing

SCALE 2:1 SHEET 1 OF 1 REV A