

THIS DRAWING IS UNPUBLISHED.

RELEASED FOR PUBLICATION

-. -. .

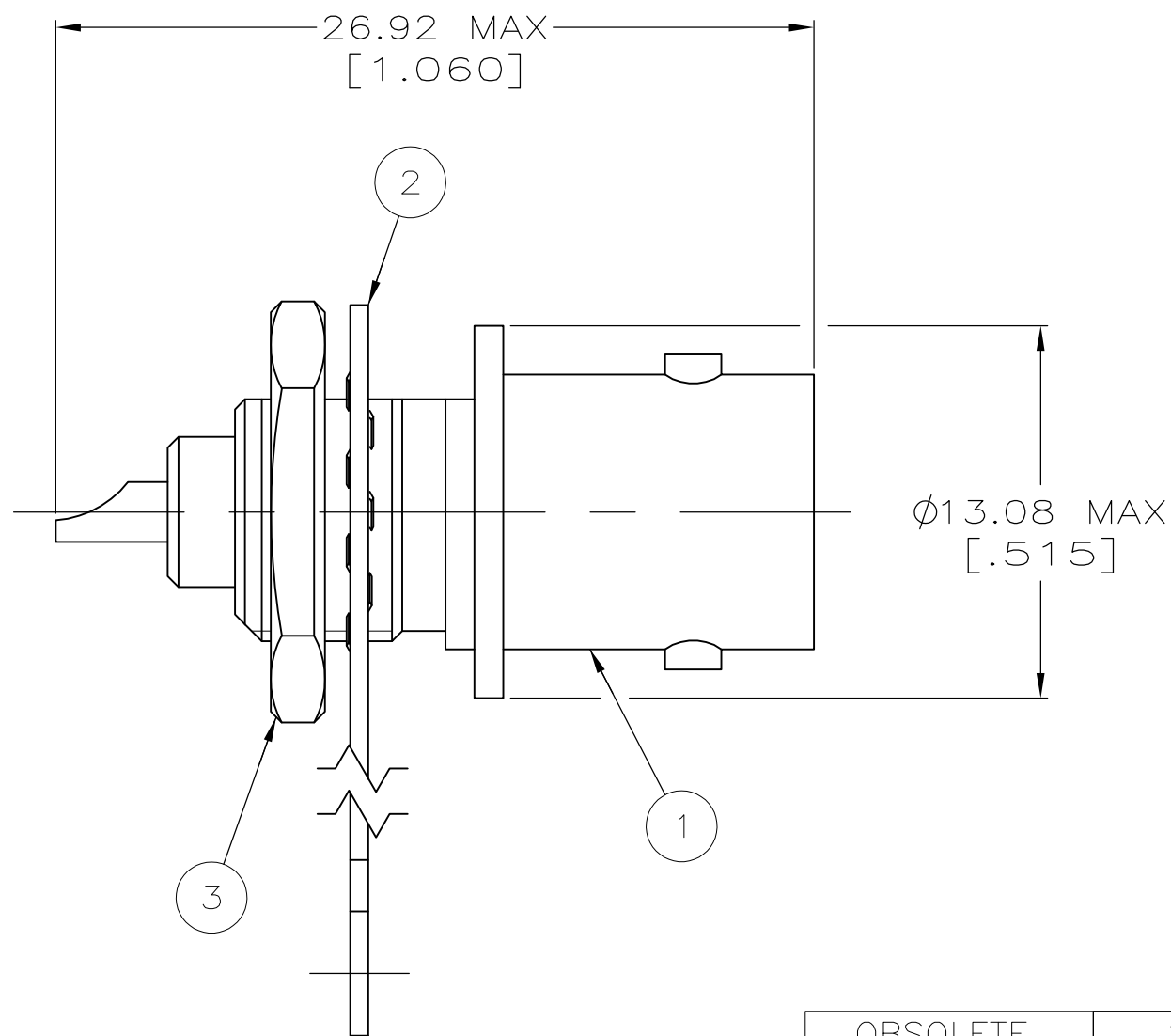
© COPYRIGHT - By -

ALL RIGHTS RESERVED.

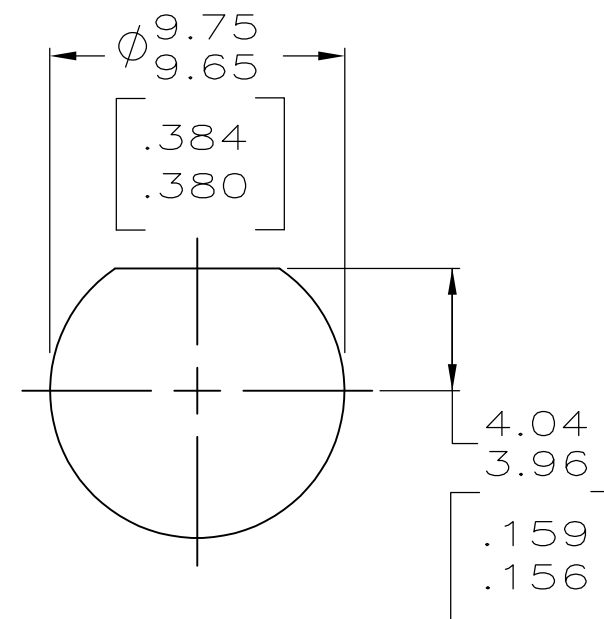
LOC
AJ
DIST
16

REVISIONS

P	LTR	DESCRIPTION	DATE	DWN	APVD
	D2	REVISED PER ECO-11-005030	11MAR11	RK	HMR



1. .125 MAX PANEL THICKNESS.



RECOMMENDED PANEL CUTOUT

OBSOLETE	1-330249-1	9-227260-0	227756-3	227755-3		
	1-330249-1	9-227260-0	227756-2	227755-2		
	1-330249-1	9-227260-0	227756-1	227755-1		
3	JAM NUT QTY=1	2	LOCKWASHER, TERMINAL QTY=1	1	JACK ASSY QTY=1	PART NUMBER

THIS DRAWING IS A CONTROLLED DOCUMENT.		DWN J. LIPPERT 6-3-94	STE TE Connectivity		
DIMENSIONS: INCHES		CHK M. TOMCHAK 6-3-94			
TOLERANCES UNLESS OTHERWISE SPECIFIED:		APVD M. TOMCHAK 6-3-94	NAME SOLDER JACK, 50 OHM, SERIES BNC		
0 PLC ± -		PRODUCT SPEC 108-12079	SIZE		
1 PLC ± -		APPLICATION SPEC	CAGE CODE	DRAWING NO	RESTRICTED TO
2 PLC ± -		—	A300779 C-227755		—
3 PLC ± -		WEIGHT	RESTRICTED CUSTOMER		
4 PLC ± -		—	SCALE	SHEET	REV
ANGLES ± -		—	4:1	1 OF 1	D2
FINISH		—			
MATERIAL		—			