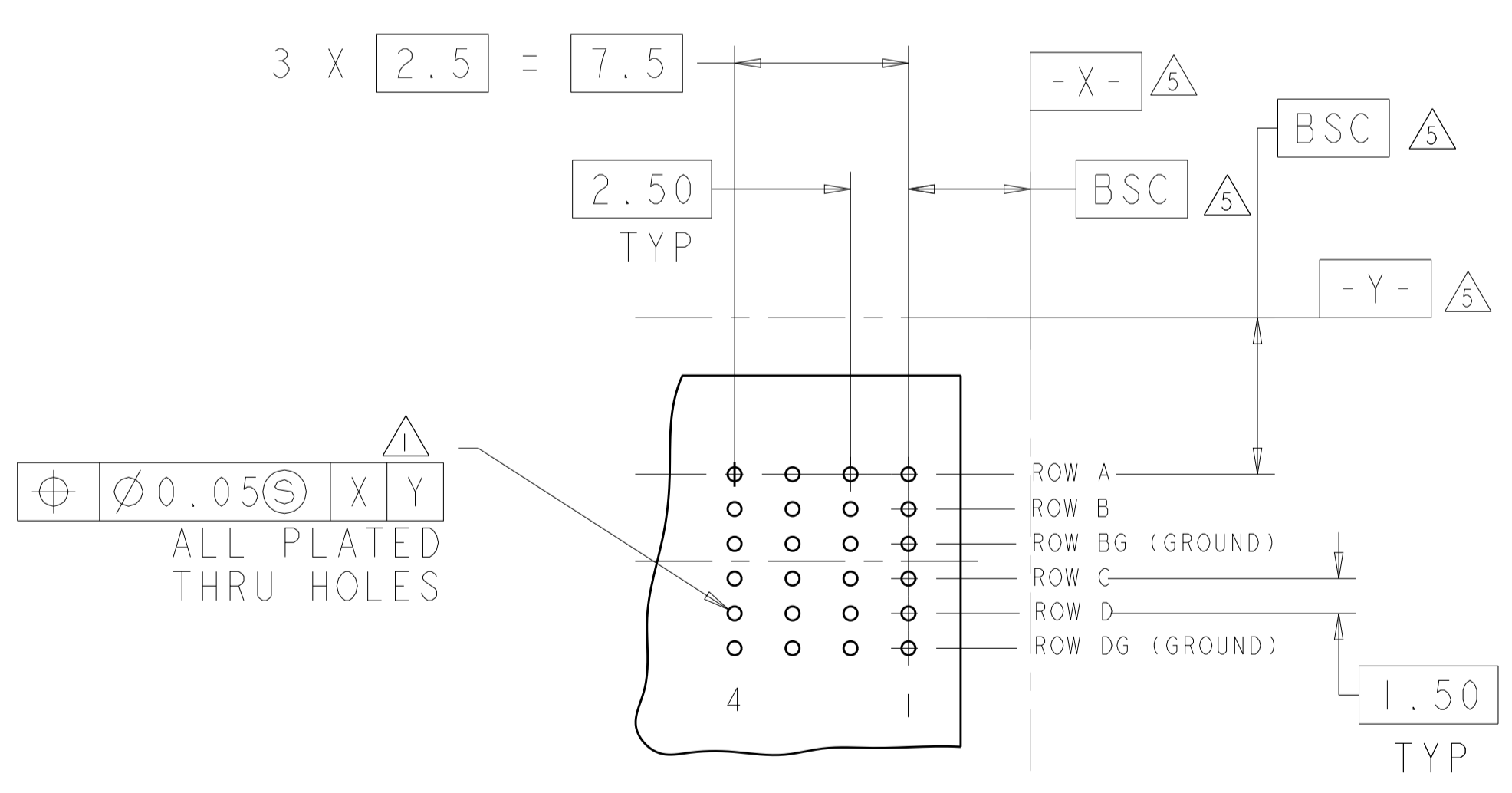
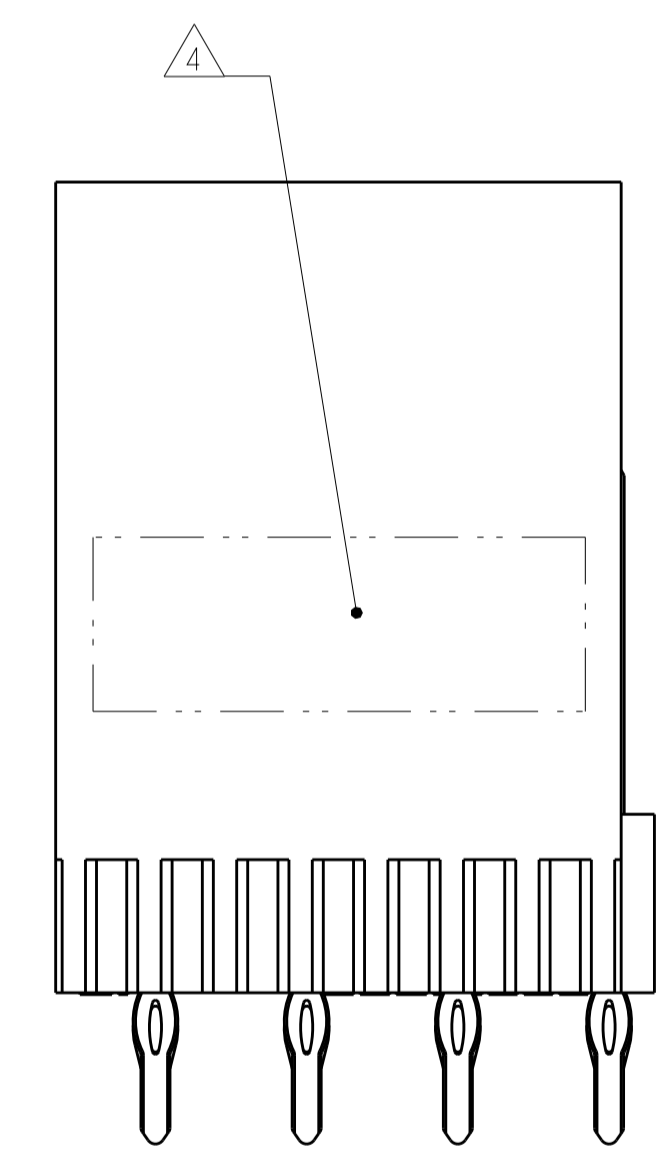
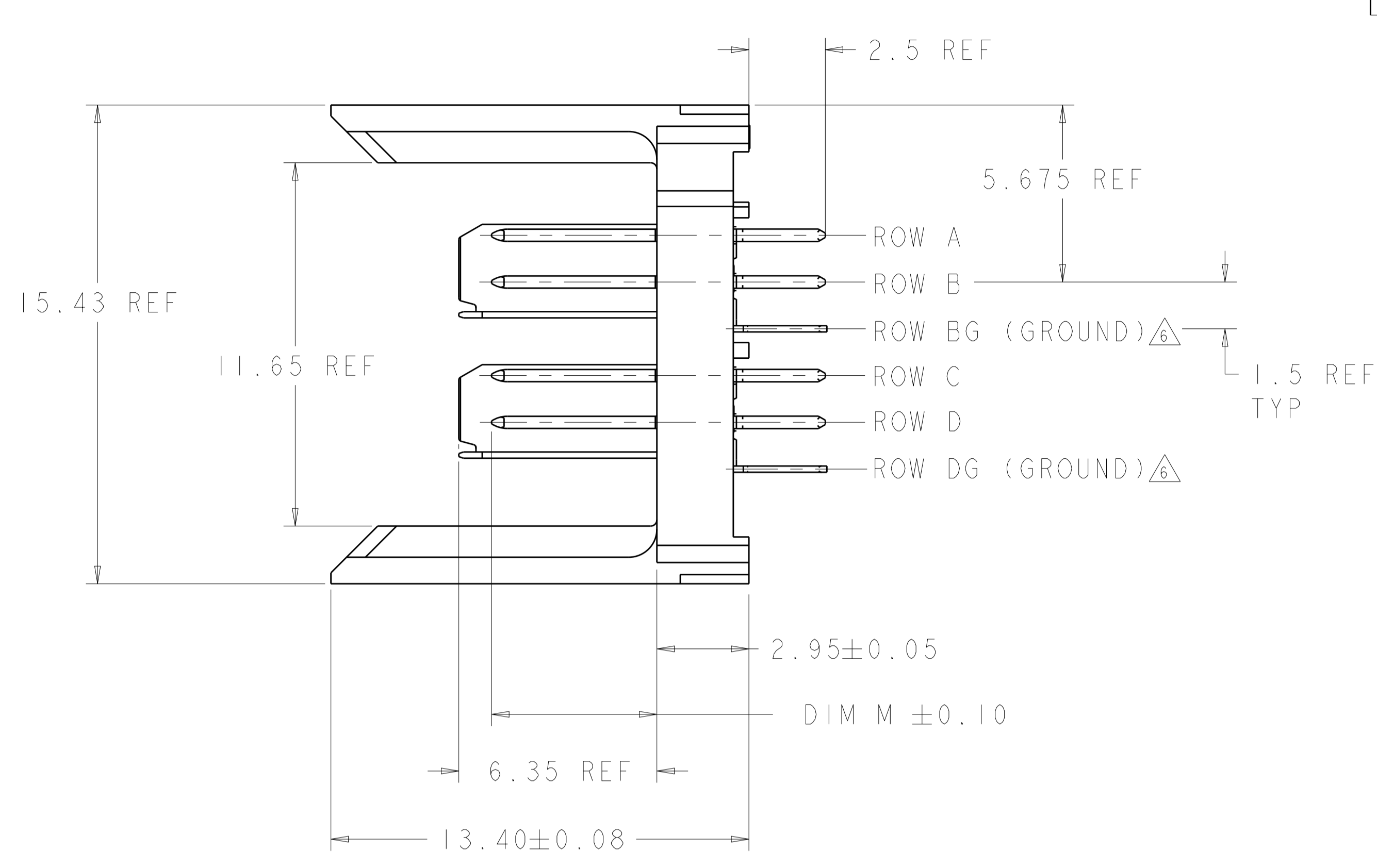
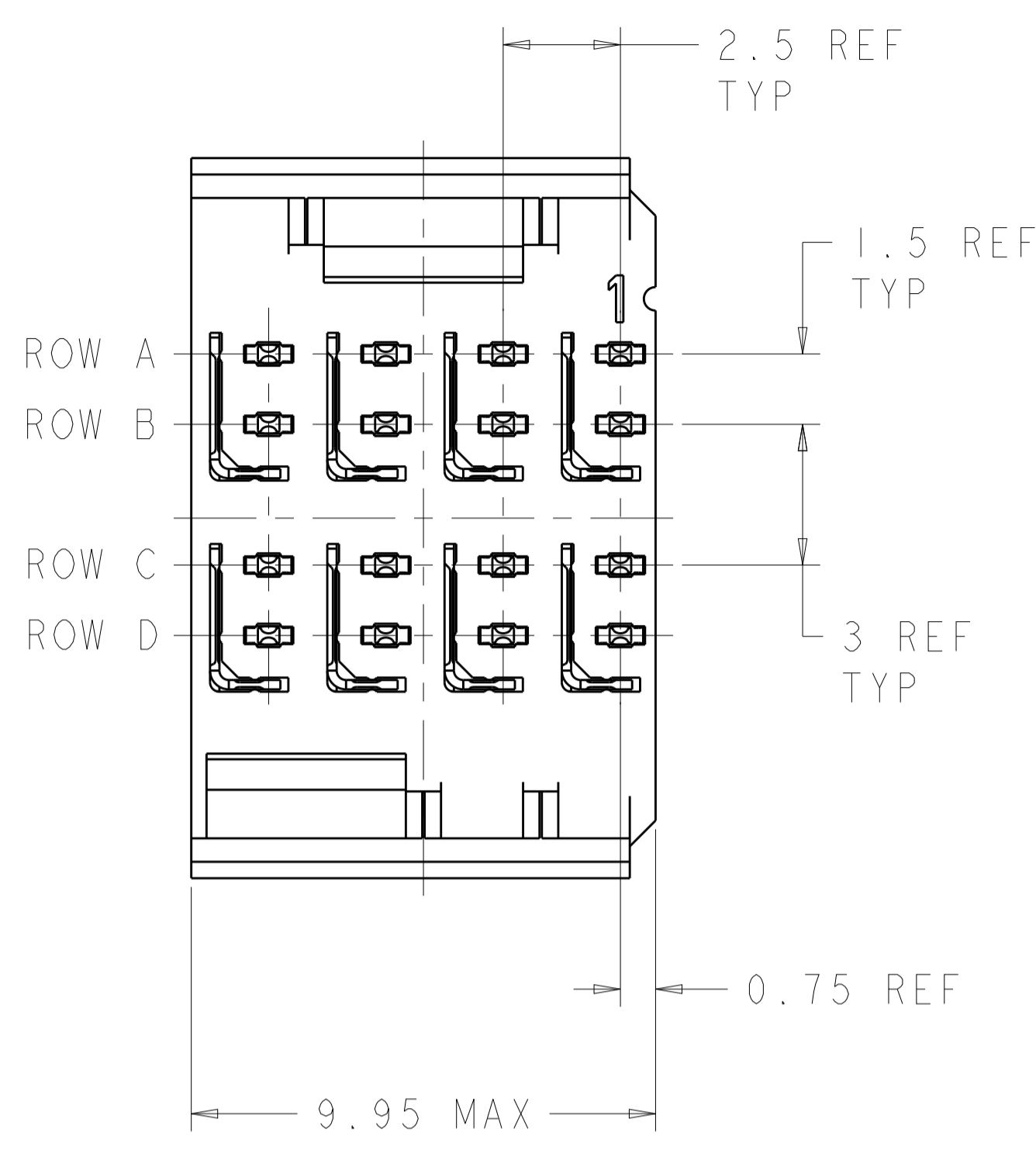


LOC		DIST		REVISIONS			
AD	00	P	LTN	DESCRIPTION	DATE	DMN	APVD
		A		RELEASED	-	-	-



RECOMMENDED PC BOARD LAYOUT, BACKPLANE, COMPONENT SIDE SHOWN  
 SCALE 4:1

- ① 0.70mm ±0.025 DRILLED HOLE  
 0.025 MIN - 0.050 MAX COPPER PLATING THICKNESS  
 0.0002 - 0.0005 ORGANIC SOLDERABILITY PRESERVATIVE (OSP)  
 0.62 REF NOMINAL FINISHED HOLE SIZE  
 DIMS AND TOLERANCES APPLY TO TOP 1.40 OF PCB THICKNESS.
- ② MATERIAL:  
 CONTACT AND SHIELD - PHOSPHOR BRONZE  
 HOUSING - GLASS FILLED POLYESTER. UL 94V-0.
- ③ FINISH: SIGNAL AND GROUND CONTACTS:  
 MATING AREA: MEETS THE PERFORMANCE REQUIREMENTS OF PRODUCT SPECIFICATION 108-2055; BASED ON TELCORDIA GR-1217-CORE, APPLICATIONS IN UNCONTROLLED ENVIRONMENTS  
 COMPLIANT PIN AREA: 0.5µm MIN BRIGHT TIN-LEAD OVER BASE PLATING
- ④ CONNECTOR MARKED WITH PART NUMBER AND DATE CODE.
- ⑤ DATUMS AND BASIC DIMENSIONS ESTABLISHED BY CUSTOMER.
- ⑥ THE TWO GROUNDS IN EACH COLUMN ARE COMMONED.
- 7. CONTACT AREA LUBRICATED WITH BELLCORE APPROVED LUBRICANT. TECHNICAL REFERENCE: GR-1217-CORE, ISSUE 1, NOVEMBER 1995.

5.30	2274678-1
DIM M	PART NUMBER

THIS DRAWING IS A CONTROLLED DOCUMENT.		DMN B. CARBO 20MAR2014	TE Connectivity
DIMENSIONS: mm		CHK R. PATTERSON 20MAR2014	
TOLERANCES UNLESS OTHERWISE SPECIFIED:		APVD R. PATTERSON 20MAR2014	NAME HEADER ASSEMBLY, 2 PAIR, 2.5mm TAIL, 25mm, HMZd
0 PLC ±	1 PLC ±	PRODUCT SPEC	SIZE
2 PLC ±	3 PLC ±	APPLICATION SPEC	CAGE CODE
4 PLC ±	ANGLES ±	WEIGHT	DRAWING NO
MATERIAL		FINISH	RESTRICTED TO
Customer Drawing		SCALE 4:1	SHEET 1 OF 1