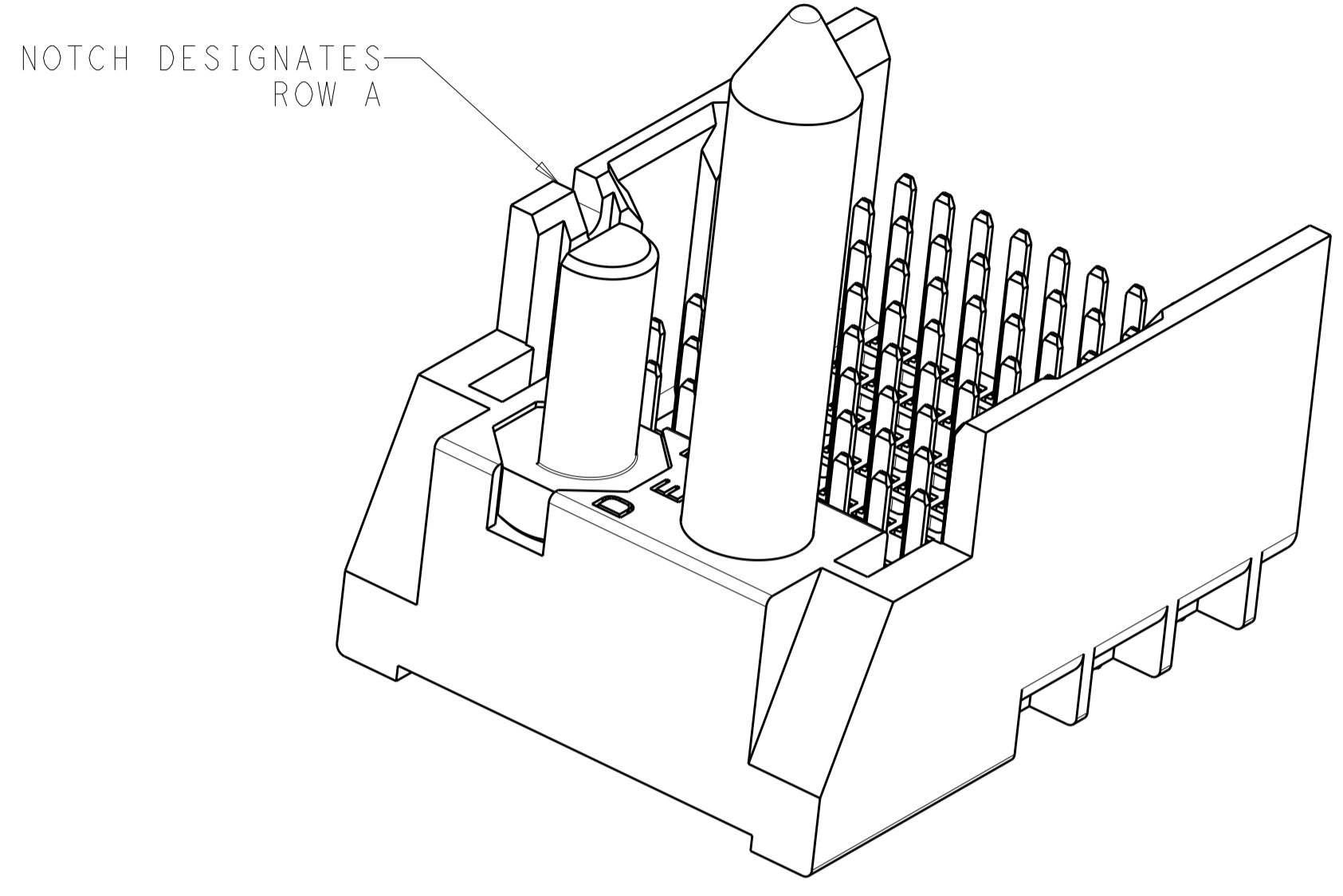
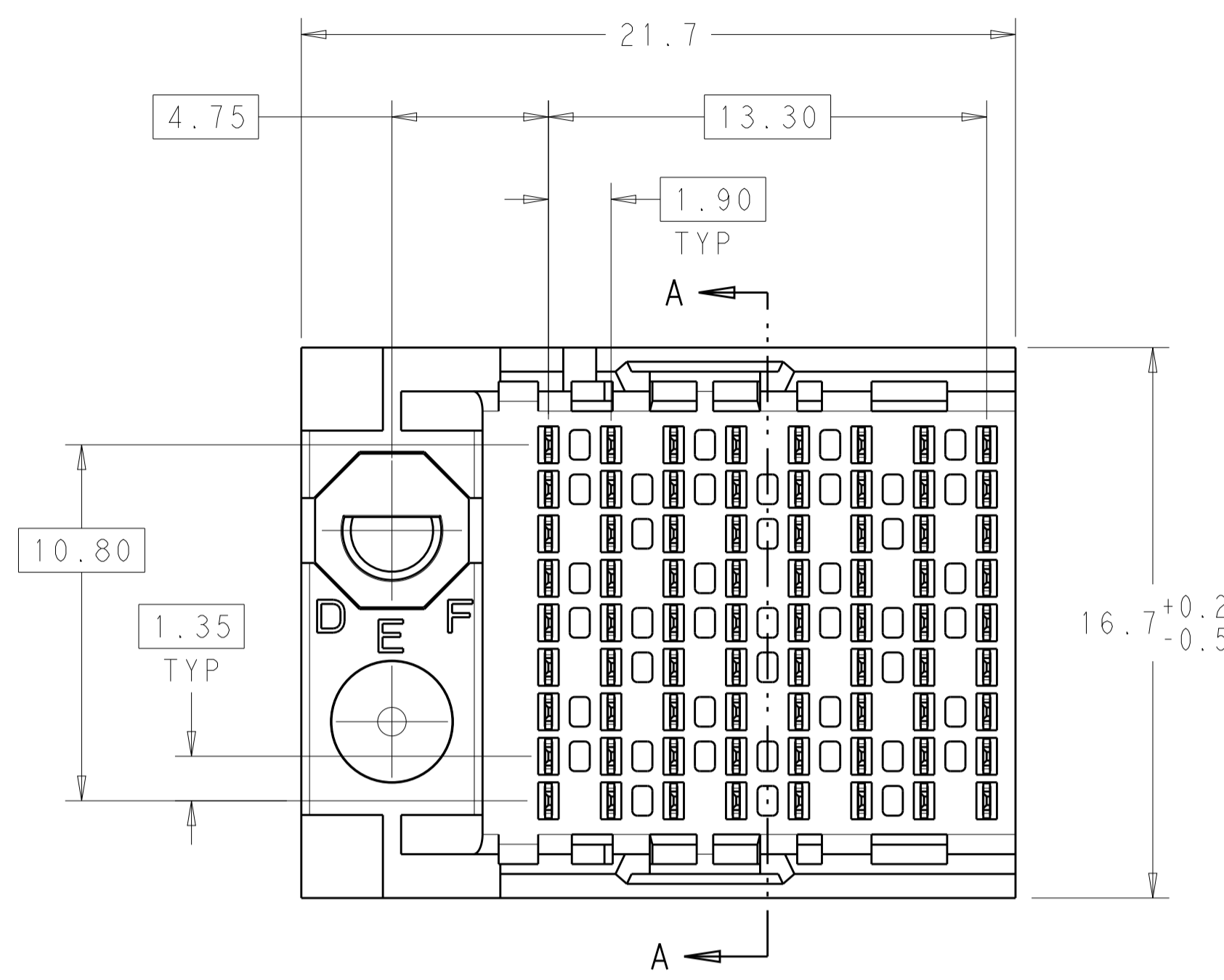
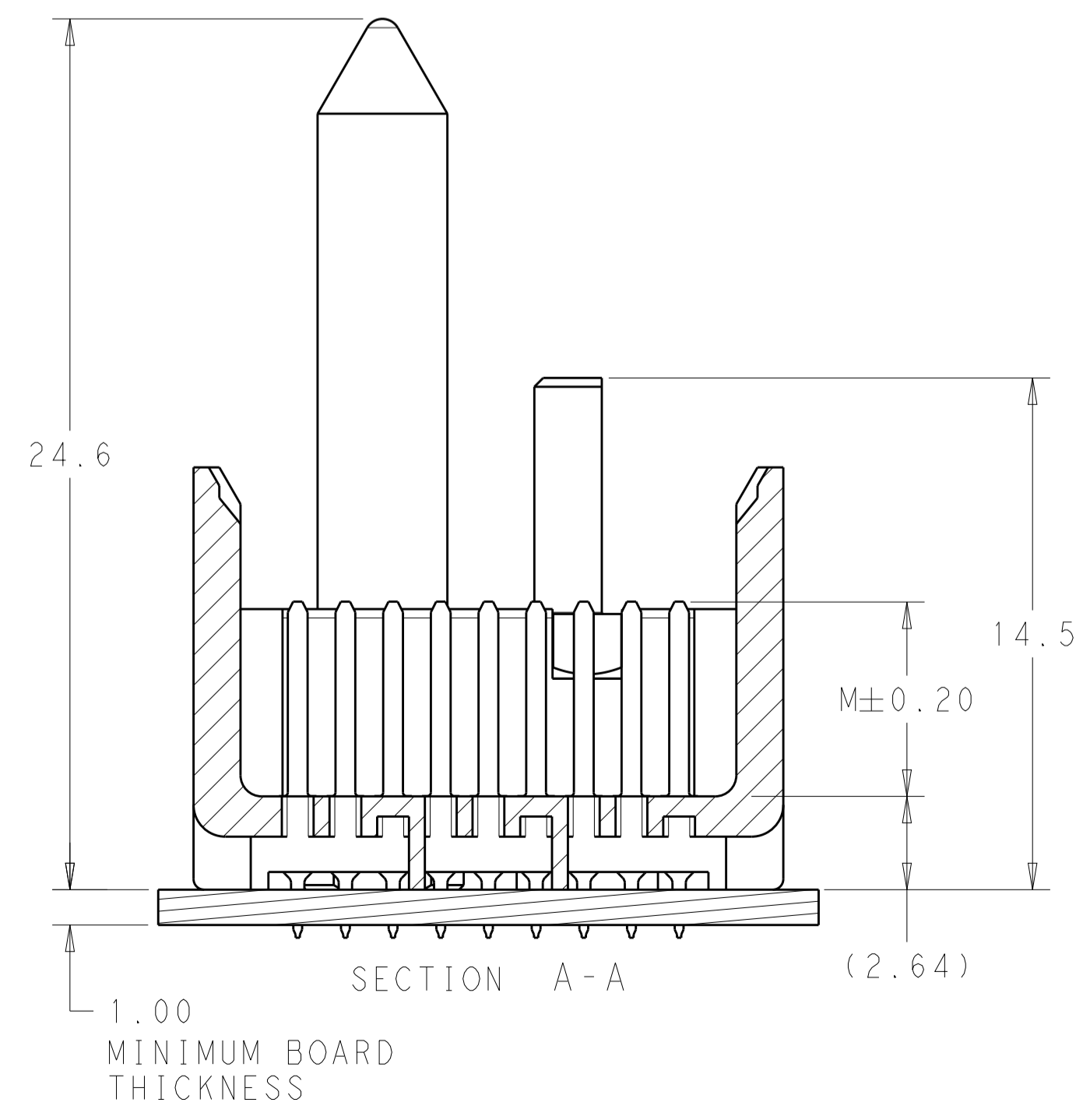
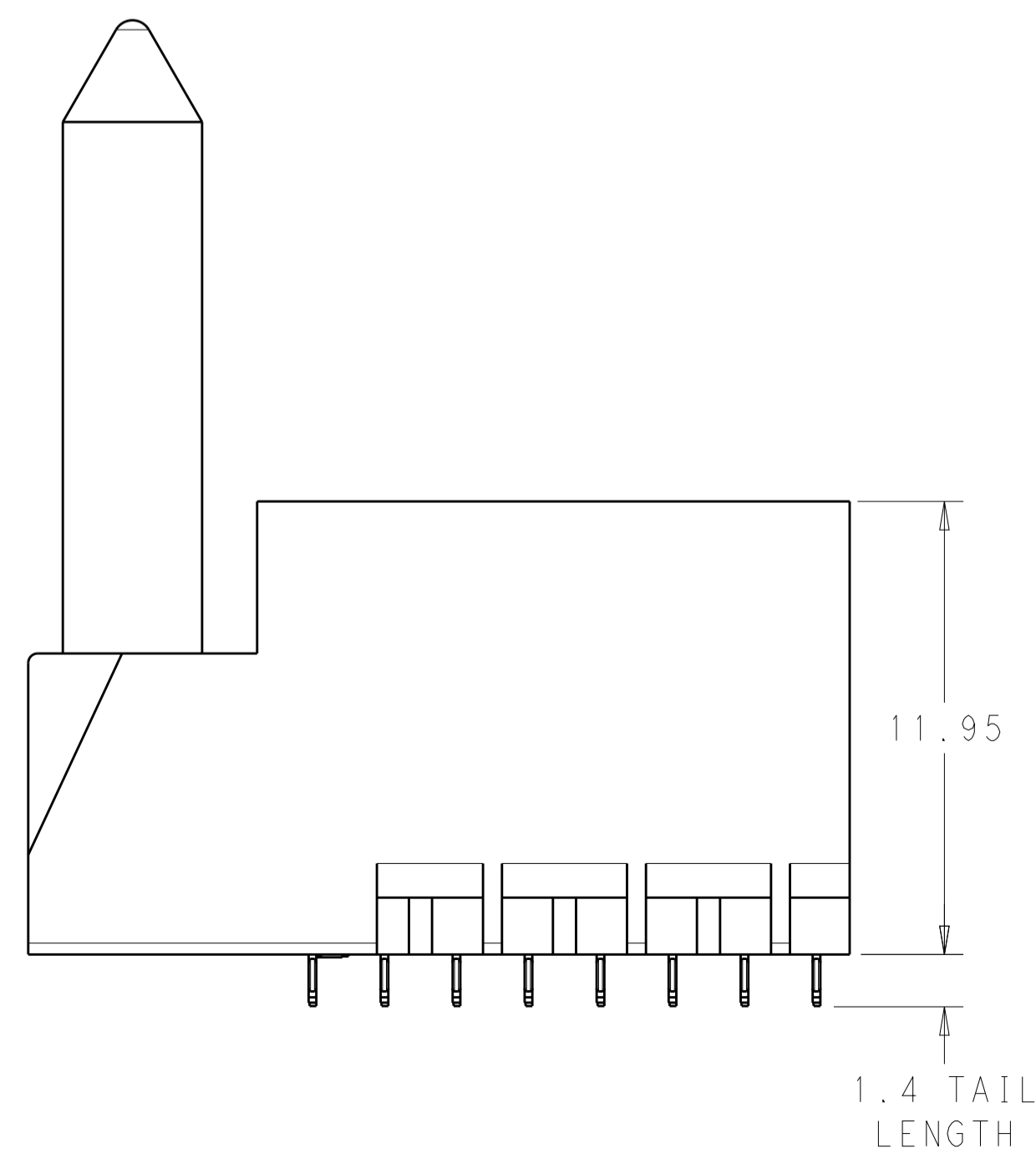
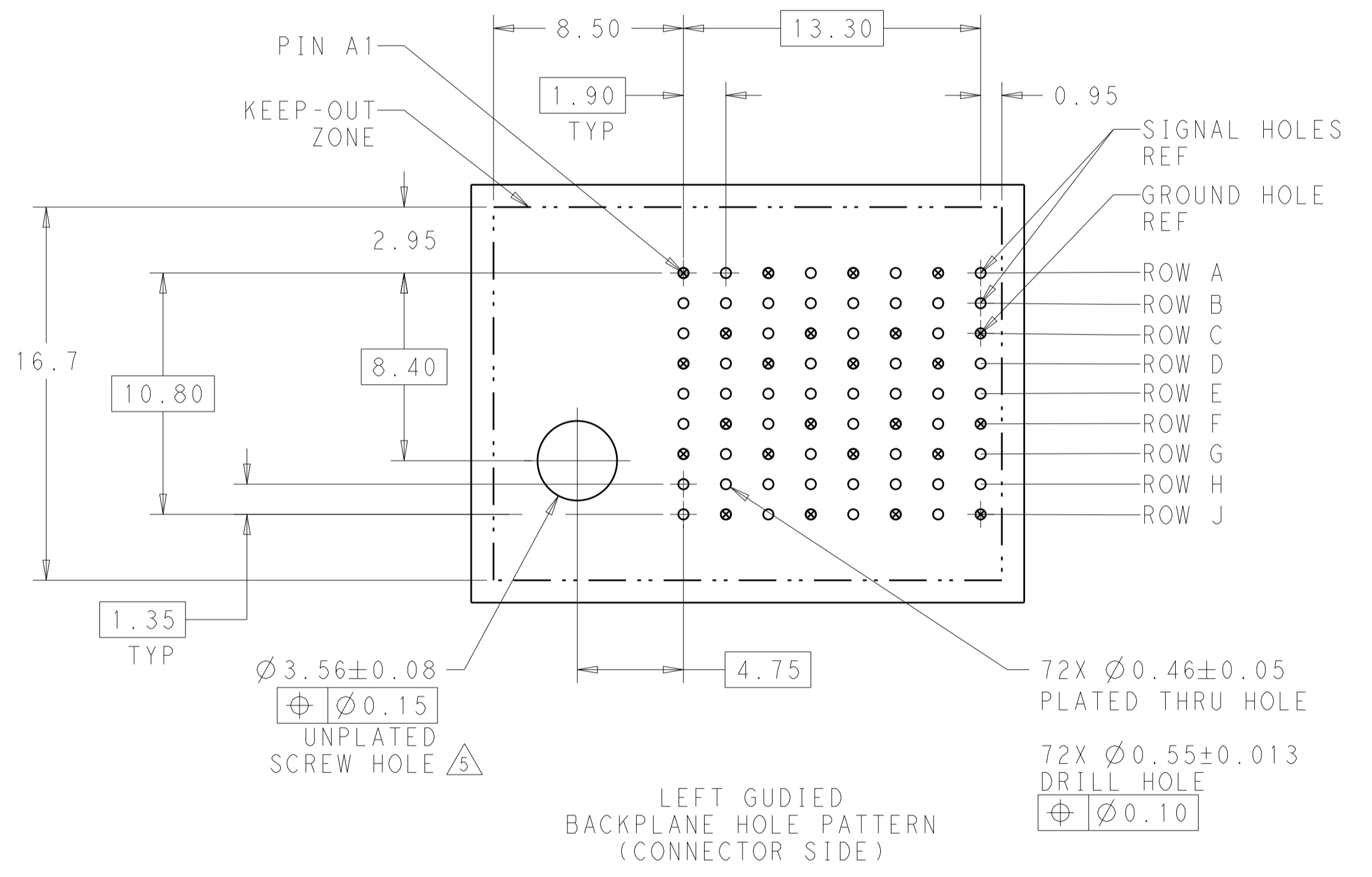


LOC	DIST	REVISIONS			
P	LTN	DESCRIPTION	DATE	DWN	APVD
A		NEW DRAWING	08OCT2013	KH	DD

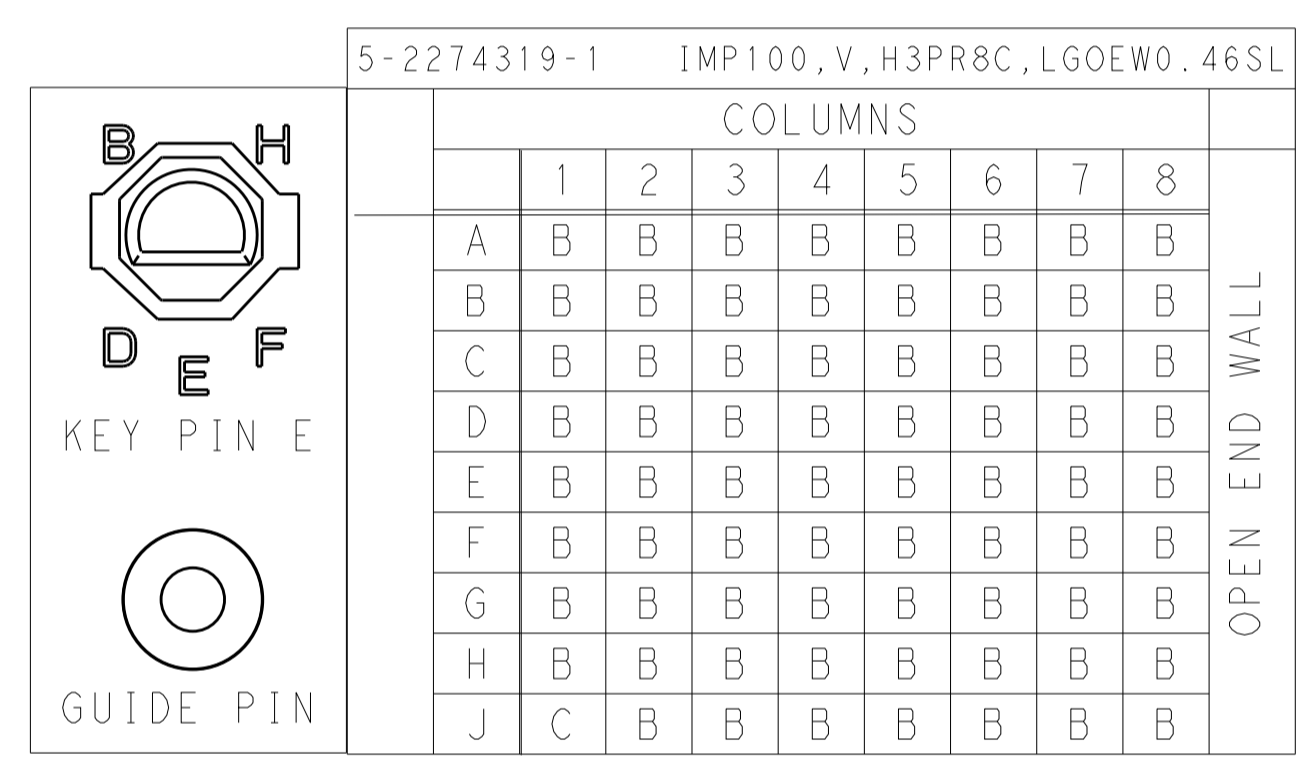


- 1. MATERIAL:
HOUSING: LCP, GLASS FILLED, UL94V-0.
TERMINALS: HIGH PERFORMANCE COPPER ALLOY.
- 2. FINISH:
30μ" MIN GOLD IN CONTACT AREA. SELECTIVE TIN ON PCB TAILS, NICKEL OVERALL.
- 3. FINISH:
30μ" MIN GOLD IN CONTACT AREA. SELECTIVE TIN-LEAD ON PCB TAILS, NICKEL OVERALL.
- 4. SCREWS PACKAGED IN END OF PACKAGING TUBE.
- 5. FOR GROUNDED GUIDE PIN USE $\varnothing 3.56 \pm 0.08$ PTH, $\varnothing 3.66$ DRILL, AND $\varnothing 6.5$ PAD.
- 6. KEYING PIN SHOWN IN POSITION A, SEE KEYING CHART ON SHEET 2 FOR OTHER POSITIONS.

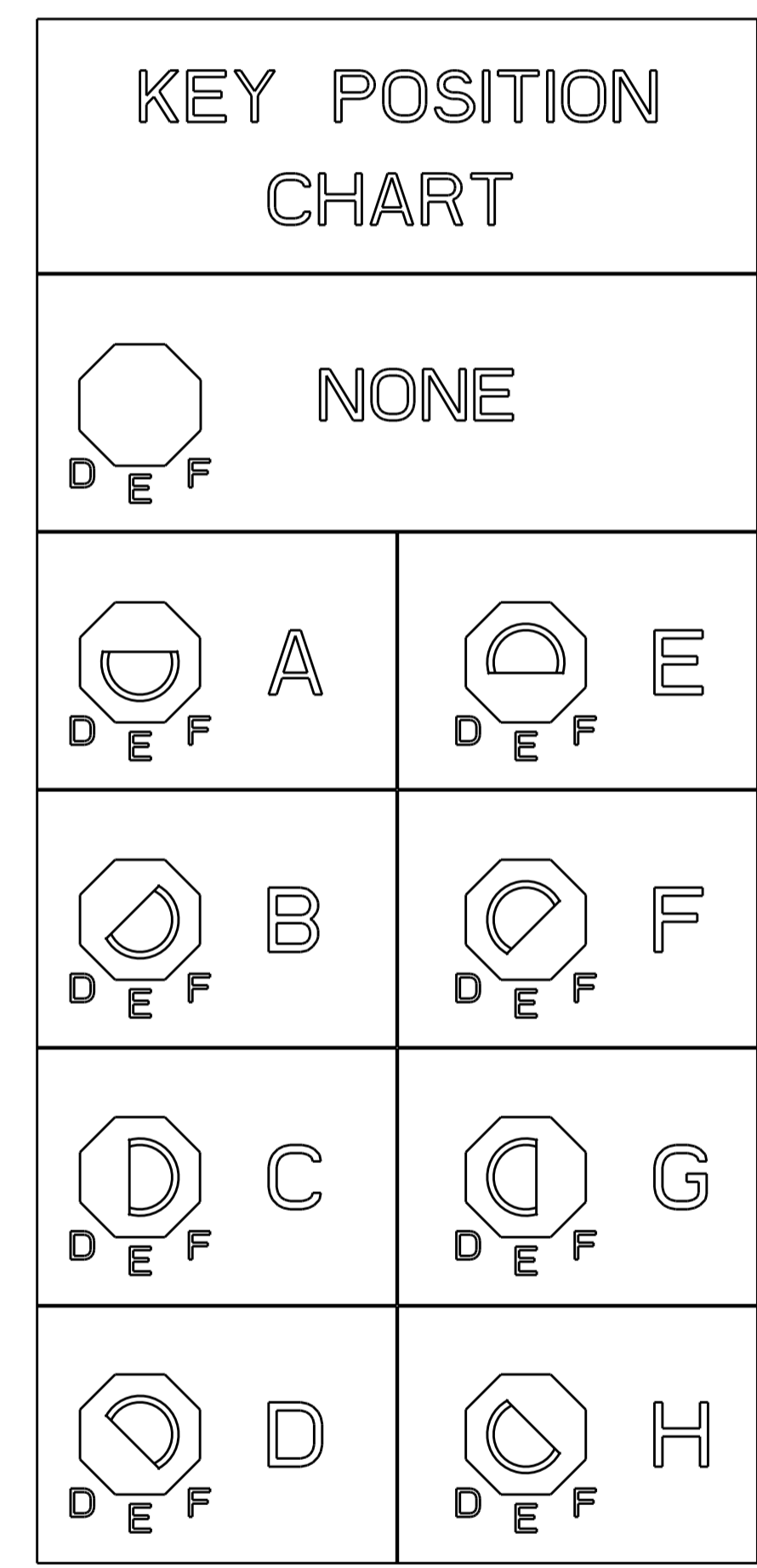


THIS DRAWING IS A CONTROLLED DOCUMENT.		DWN: KIRAN HOLH 08OCT2013	TE Connectivity
DIMENSIONS: mm		CHK: D. DIXON 08OCT2013	
TOLERANCES UNLESS OTHERWISE SPECIFIED:		APVD: D. DIXON 08OCT2013	NAME: IMPACT, 3 PAIR, 8 COLUMN, HEADER LEFT GUIDED, OPEN END WALL SIGNAL MODULE, 0.46 PTH
0 PLC ± 1 PLC ±0.25 2 PLC ±0.13 3 PLC ± 4 PLC ± ANGLES ±		PRODUCT SPEC	
MATERIAL: SEE TABLE		APPLICATION SPEC	SIZE: A100779C=2274319
FINISH: SEE TABLE		WEIGHT	RESTRICTED TO
		Customer Drawing	SCALE: 6:1 SHEET 1 OF 2 REV A

LOC		DIST		REVISIONS			
P	LTN	DESCRIPTION	DATE	DWN	APVD		
-	-	SEE SHEET 1	-	-	-		



M Dimensions
 "A" Contacts=4.5mm
 "B" Contacts=4.9mm
 "C" Contacts=5.5mm



REFER TO WWW.TE.COM
 FOR PRODUCT AVAILABILITY

FINISH		E		5-2274319-1	
KEY POSITION		PART NUMBER			
THIS DRAWING IS A CONTROLLED DOCUMENT.		DWN: KIRAN HOLH 08OCT2013		TE Connectivity	
DIMENSIONS:		CHK: D.DIXON 08OCT2013		NAME: IMPACT, 3 PAIR, 8 COLUMN, HEADER LEFT GUIDED, OPEN END WALL SIGNAL MODULE, 0.46 PTH	
TOLERANCES UNLESS OTHERWISE SPECIFIED:		APVD: D.DIXON 08OCT2013		SIZE: CAGE CODE DRAWING NO: RESTRICTED TO	
mm		PRODUCT SPEC		A100779C=2274319	
0 PLC ±		APPLICATION SPEC		SCALE 5:1 SHEET 2 OF 2 REV A	
1 PLC ±0.25		WEIGHT			
2 PLC ±0.13		Customer Drawing			
3 PLC ±					
4 PLC ±					
ANGLES ±					
FINISH SEE TABLE					