

THIS DRAWING IS UNPUBLISHED.

RELEASED FOR PUBLICATION

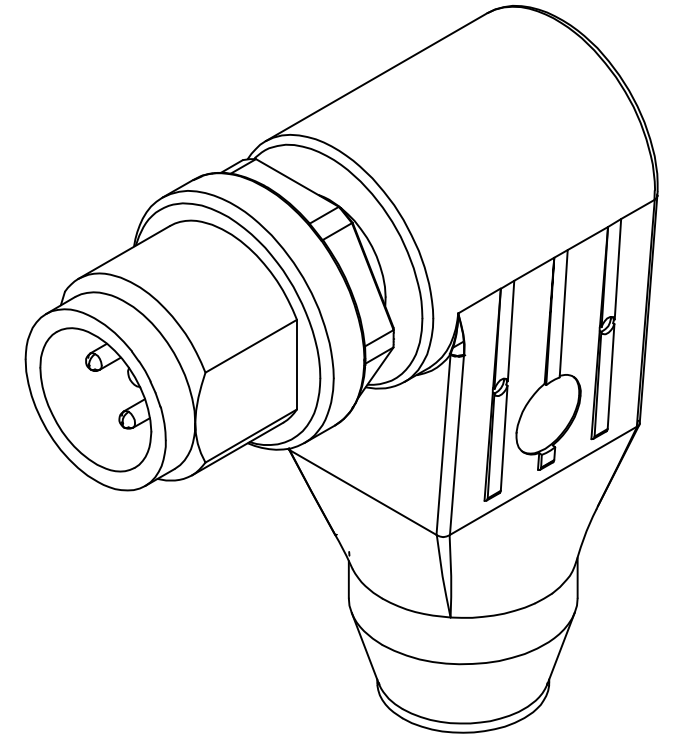
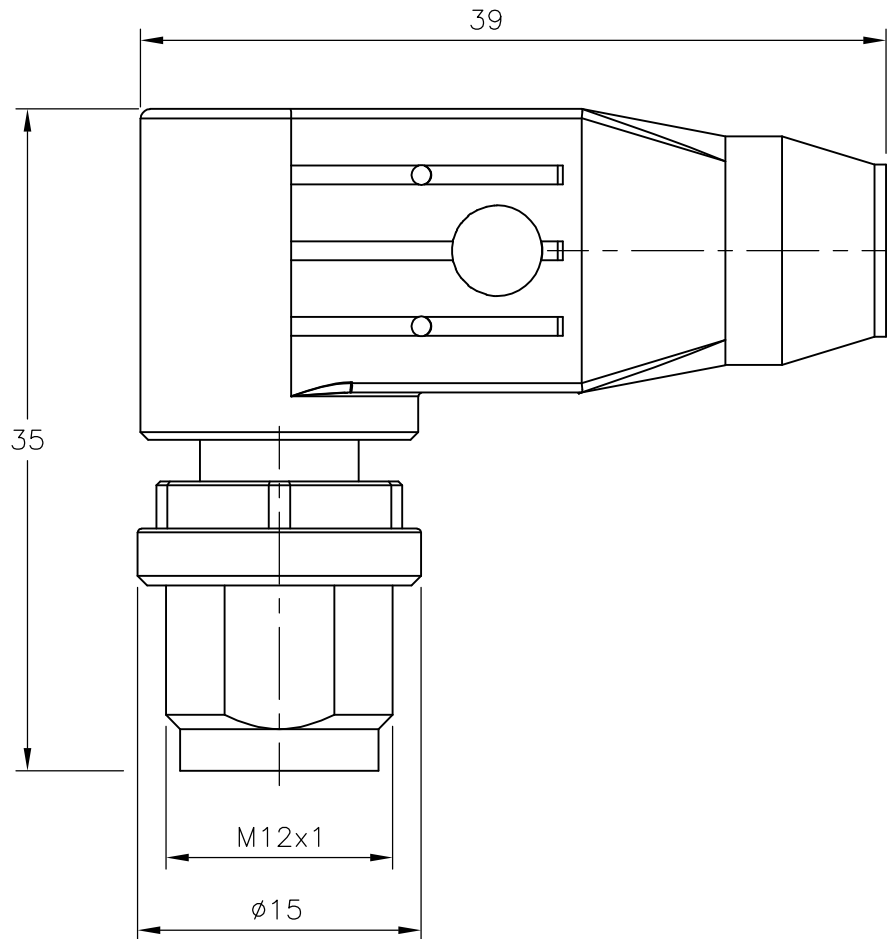
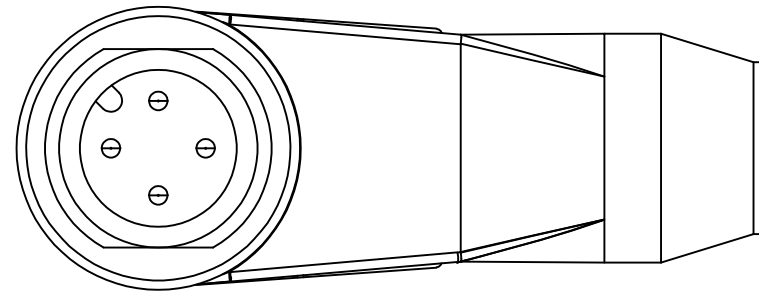
ALL RIGHTS RESERVED.

LOC
H

DIST
-

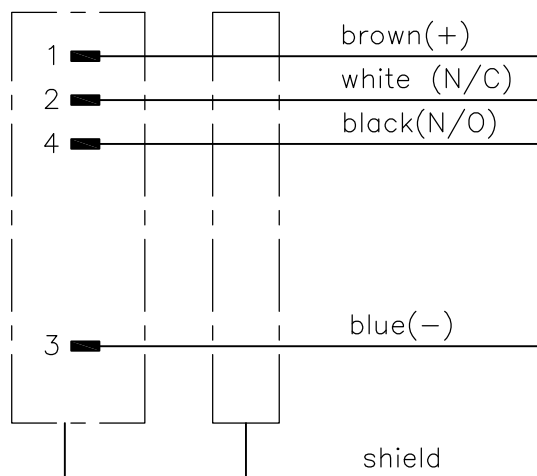
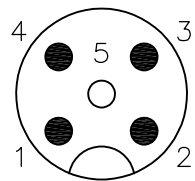
REVISIONS

P	LTR	DESCRIPTION	DATE	DWN	APVD
	A	INITIAL RELEASE	29APR2014	YC	BvH


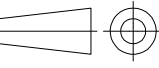


Circuit diagram

Contact Layout Male



M12 ANGLED PLUG 4POS SHLD A	2273223-1
DESCRIPTION	TE PN

THIS DRAWING IS A CONTROLLED DOCUMENT.		DWN YATHISH.C 29APR2014	 TE Connectivity	
DIMENSIONS: mm		CHK B.VELDHOVEN 29APR2014		
TOLERANCES UNLESS OTHERWISE SPECIFIED:		APVD A.VAN ZANDVOORT 29APR2014	NAME M12 ANGLED PLUG 4POS SHLD A	
		PRODUCT SPEC -	APPLICATION SPEC -	
MATERIAL -		FINISH -	WEIGHT -	RESTRICTED TO -
CUSTOMER DRAWING			SIZE A3	CAGE CODE 00779
SCALE NTS			DRAWING NO C-2273223	REV A
SHEET 1 OF 1				