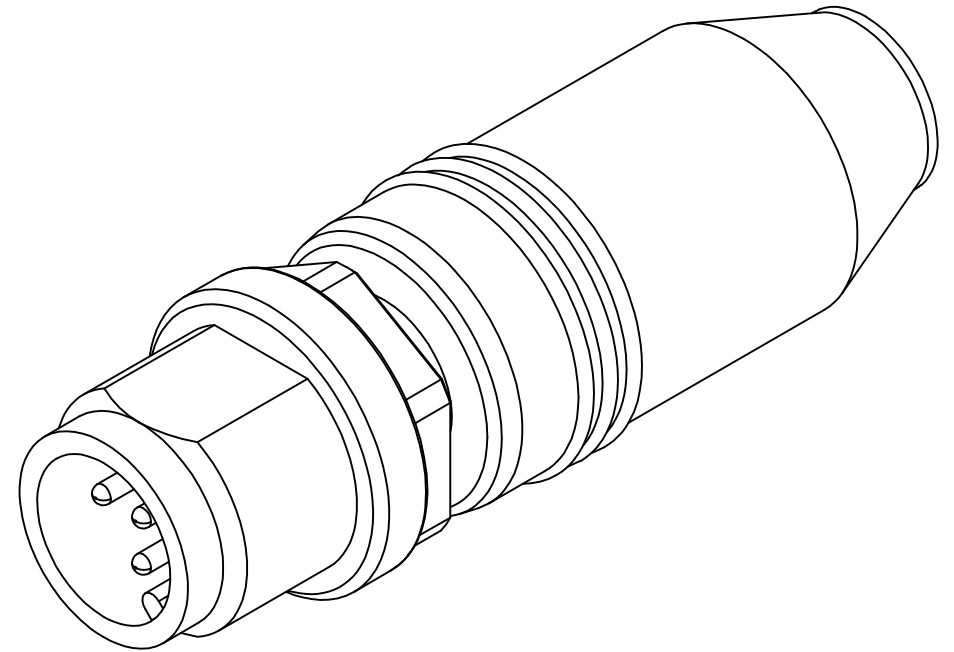
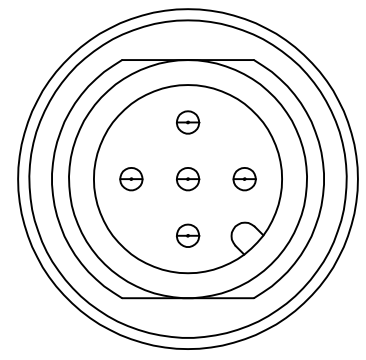
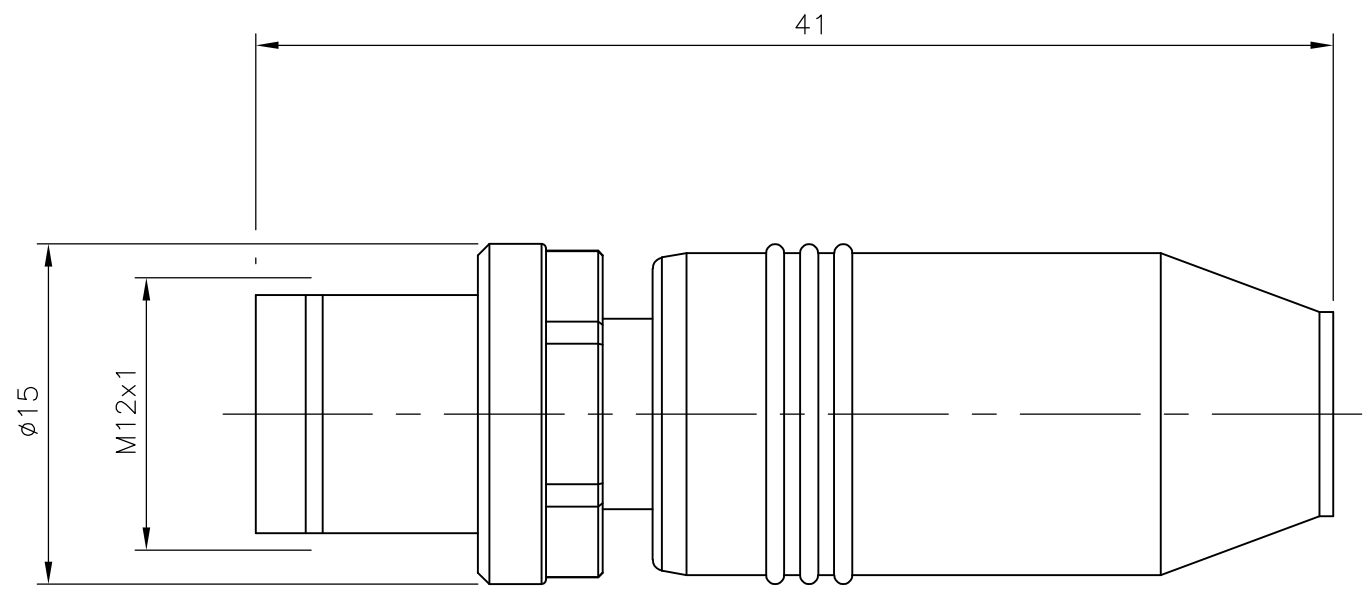
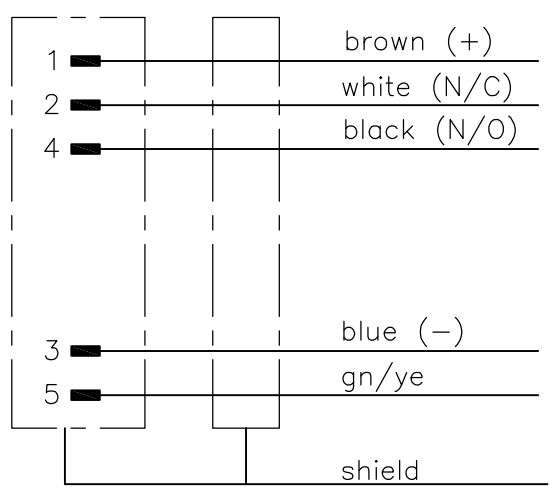


THIS DRAWING IS UNPUBLISHED. RELEASED FOR PUBLICATION
 © COPYRIGHT - By - ALL RIGHTS RESERVED.

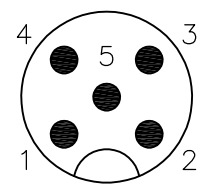
LOC	DIST	REVISIONS			
P	LTR	DESCRIPTION	DATE	DWN	APVD
	A	INITIAL RELEASE	29APR2014	YC	BvH



Circuit diagram



Contact Layout Male



M12 STRAIGHT PLUG 5POS SHLD A	2273217-1
DESCRIPTION	TE PN

THIS DRAWING IS A CONTROLLED DOCUMENT.		DWN	29APR2014	TE Connectivity
		CHK	29APR2014	
		APVD	29APR2014	
		A.VAN ZANDVOORT		NAME
		PRODUCT SPEC		M12 STRAIGHT PLUG 5POS SHLD A
		APPLICATION SPEC		
		WEIGHT	-	RESTRICTED TO
		CUSTOMER DRAWING		SCALE NTS SHEET 1 OF 1 REV A

DIMENSIONS:	TOLERANCES UNLESS OTHERWISE SPECIFIED:
mm	
	0 PLC ± -
	1 PLC ± -
	2 PLC ± -
	3 PLC ± -
	4 PLC ± -
	ANGLES ± -
MATERIAL	FINISH
-	-