

THIS DRAWING IS UNPUBLISHED.

RELEASED FOR PUBLICATION

ALL RIGHTS RESERVED.

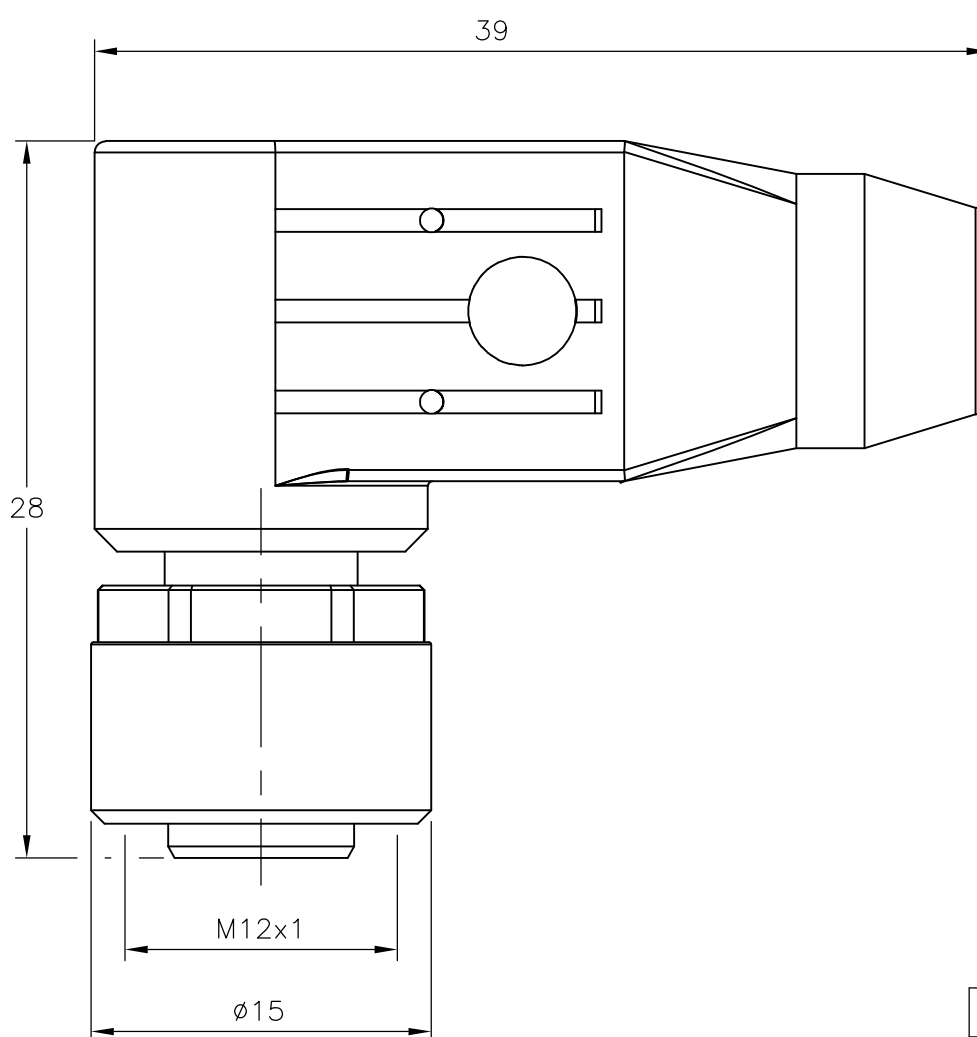
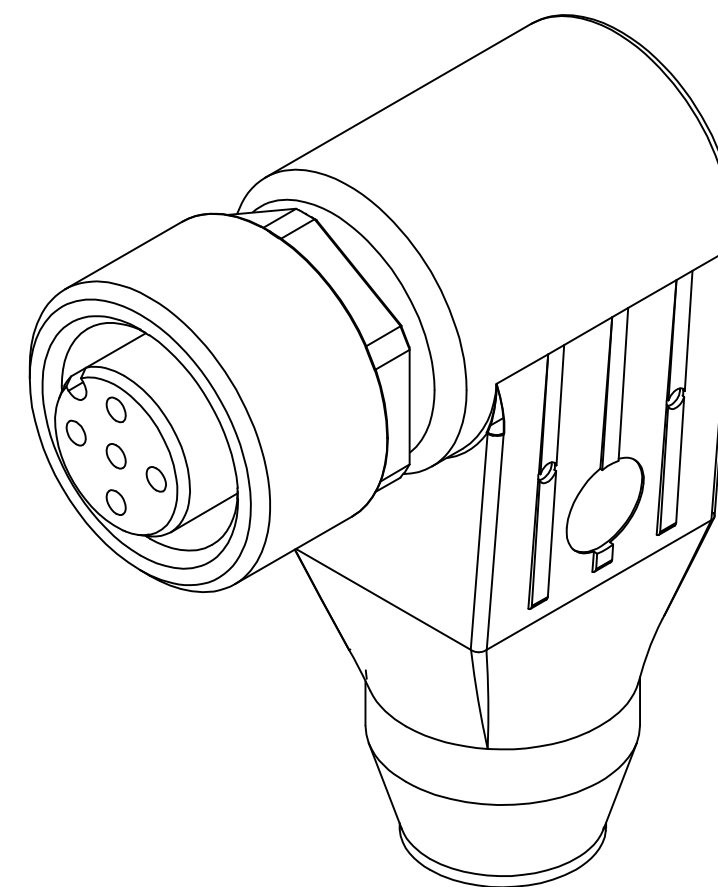
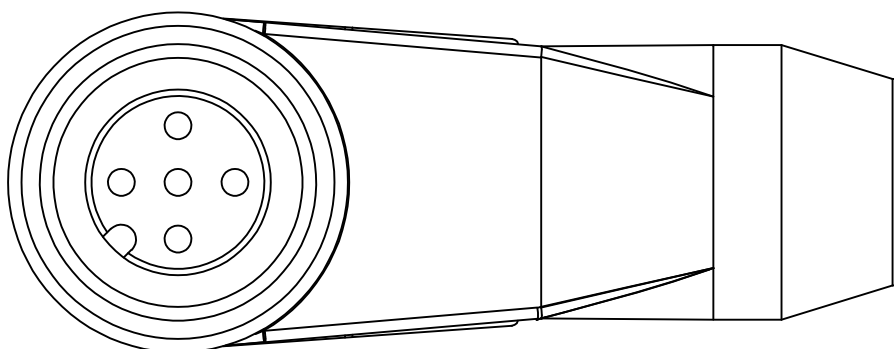
© COPYRIGHT - By -

LOC

DIST

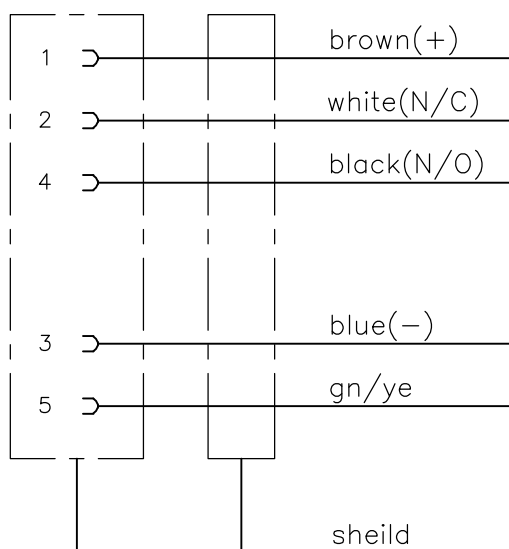
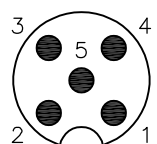
REVISIONS

P	LTR	DESCRIPTION	DATE	DWN	APVD
	A	INITIAL RELEASE	29APR2014	GSK	BvH


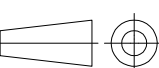


Circuit diagram

Contact Layout Female



M12 X 1.0 ANGLED SOCKET 5POS SHLD A	2273201-1
DESCRIPTION	TE PN

THIS DRAWING IS A CONTROLLED DOCUMENT.		DWN 29APR2014 SATHISH KUMAR .G	 TE Connectivity		
DIMENSIONS: mm		CHK 29APR2014 B.VELDHOVEN			
TOLERANCES UNLESS OTHERWISE SPECIFIED:		APVD 29APR2014 A.VAN ZANDVOORT	NAME M12 ANGLED SOCKET 5POS SHLD A		
 0 PLC ± - 1 PLC ± - 2 PLC ± - 3 PLC ± - 4 PLC ± - ANGLES ± -		PRODUCT SPEC	RESTRICTED TO		
MATERIAL		APPLICATION SPEC	SIZE	CAGE CODE	DRAWING NO
FINISH		WEIGHT	A3	00779	C-2273201
CUSTOMER DRAWING			SCALE	SHEET	REV
			NTS	1 OF 1	A