

THIS DRAWING IS UNPUBLISHED.

RELEASED FOR PUBLICATION

-. -. .

© COPYRIGHT - By -

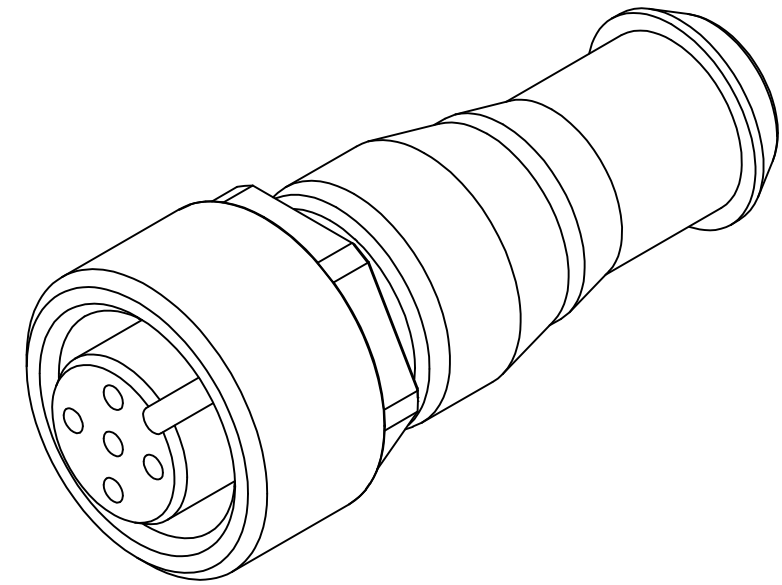
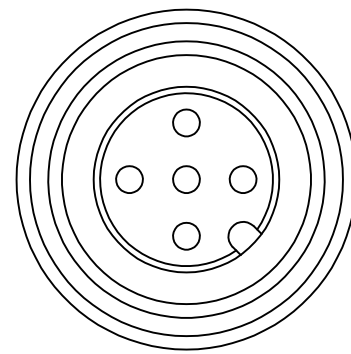
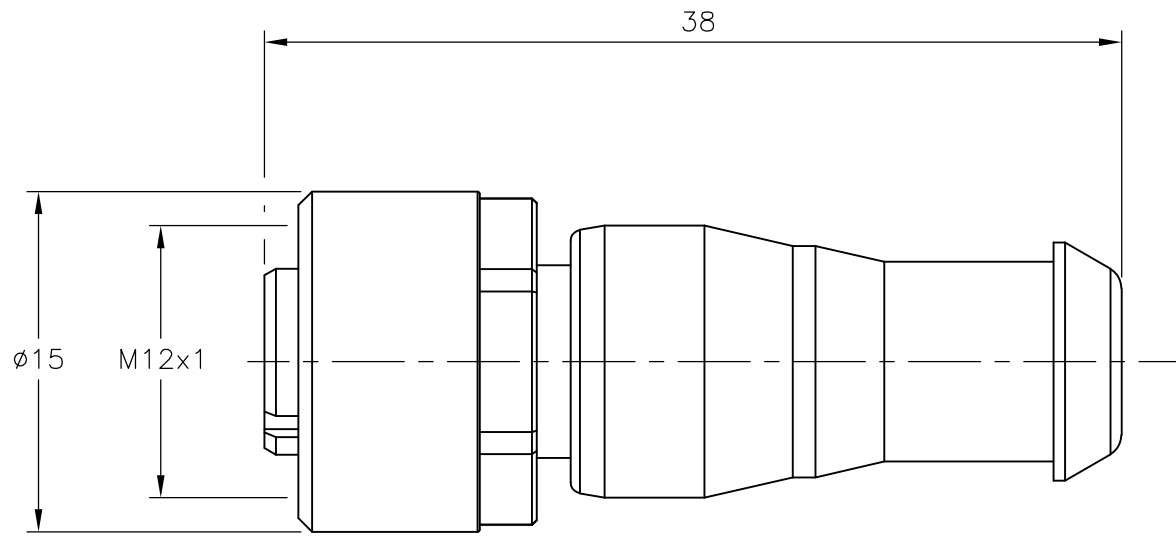
ALL RIGHTS RESERVED.

LOC

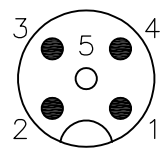
DIST

REVISIONS

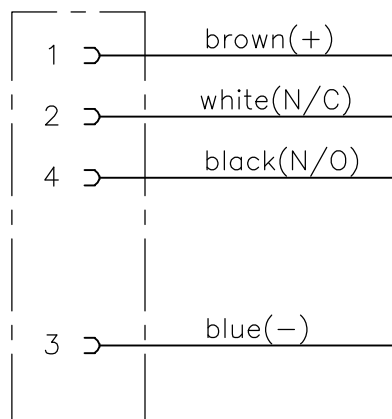
P	LTR	DESCRIPTION	DATE	DWN	APVD
	A	INITIAL RELEASE	29APR2014	GSK	BvH



Contact Layout Female



Circuit diagram



M12 X 1.0 STRAIGHT SOCKET 4POS A	2273193-1
DESCRIPTION	TE PN

THIS DRAWING IS A CONTROLLED DOCUMENT.

DWN 29APR2014  
SATHISH KUMAR .G  
CHK 29APR2014  
B.VELDHOVEN  
APVD 29APR2014  
A.VAN ZANDVOORT



DIMENSIONS: mm	TOLERANCES UNLESS OTHERWISE SPECIFIED:
	0 PLC ± - 1 PLC ± - 2 PLC ± - 3 PLC ± - 4 PLC ± - ANGLES ± -
MATERIAL	FINISH
-	-

PRODUCT SPEC	NAME
APPLICATION SPEC	SIZE
WEIGHT	CAGE CODE
CUSTOMER DRAWING	DRAWING NO

M12 STRAIGHT SOCKET 4POS A		RESTRICTED TO
A3	00779	-
C=2273193	SCALE	SHEET

SCALE	SHEET	REV
NTS	1 OF 1	A