

4

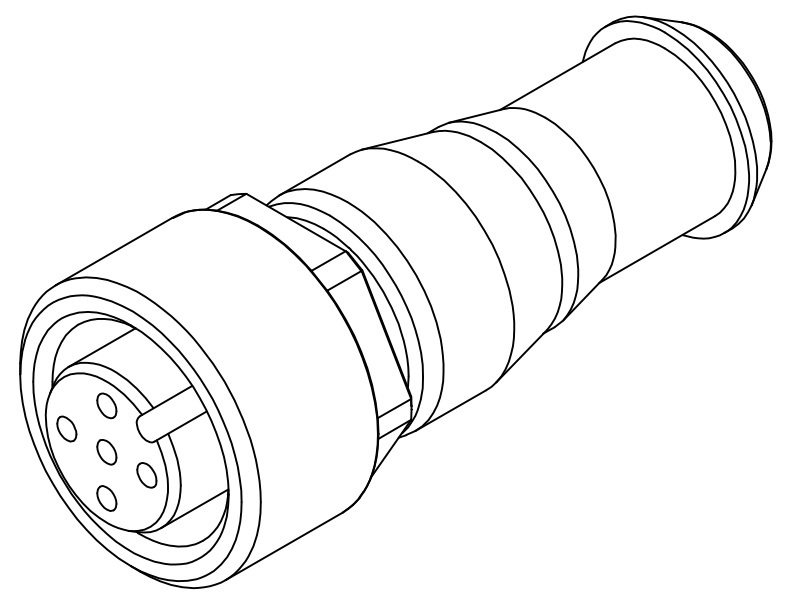
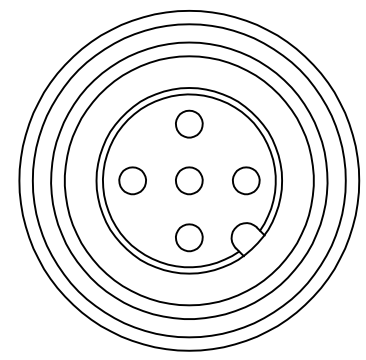
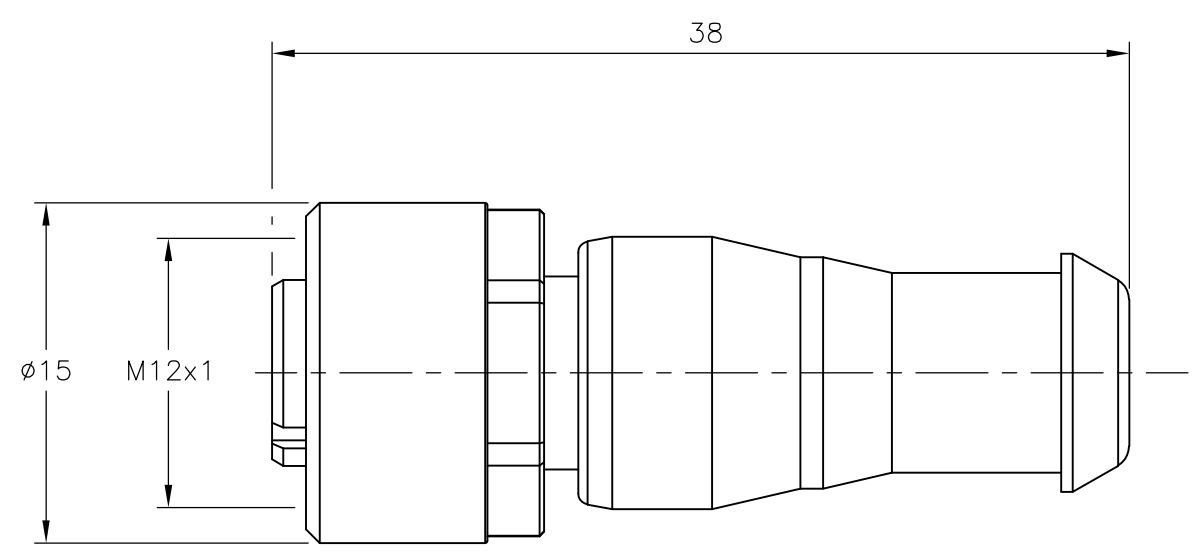
3

2

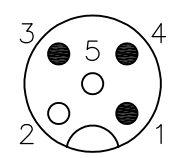
1

THIS DRAWING IS UNPUBLISHED. RELEASED FOR PUBLICATION - , - .
 © COPYRIGHT - By - ALL RIGHTS RESERVED.

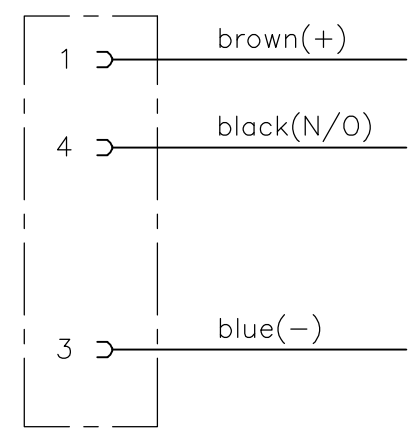
LOC	DIST	REVISIONS					
		P	LTR	DESCRIPTION	DATE	DWN	APVD
H	-		A	INITIAL RELEASE	29APR2014	GSK	BvH



Contact Layout
Female



Circuit diagram



M12 X 1.0 STRAIGHT SOCKET 3POS A	2273191-1
DESCRIPTION	TE PN

THIS DRAWING IS A CONTROLLED DOCUMENT.

DWN	29APR2014
SATHISH KUMAR .G	
CHK	29APR2014
B.VELDHOVEN	
APVD	29APR2014
A.VAN ZANDVOORT	



DIMENSIONS:	TOLERANCES UNLESS OTHERWISE SPECIFIED:
mm	
	0 PLC ± -
	1 PLC ± -
	2 PLC ± -
	3 PLC ± -
	4 PLC ± -
	ANGLES ± -

PRODUCT SPEC	-
APPLICATION SPEC	-
WEIGHT	-

NAME				M12 STRAIGHT SOCKET 3POS A			
SIZE	CAGE CODE	DRAWING NO	RESTRICTED TO				
A3	00779	C-2273191	-				

MATERIAL	FINISH	CUSTOMER DRAWING	SCALE	SHEET	REV
-	-		NTS	1 OF 1	A