

4

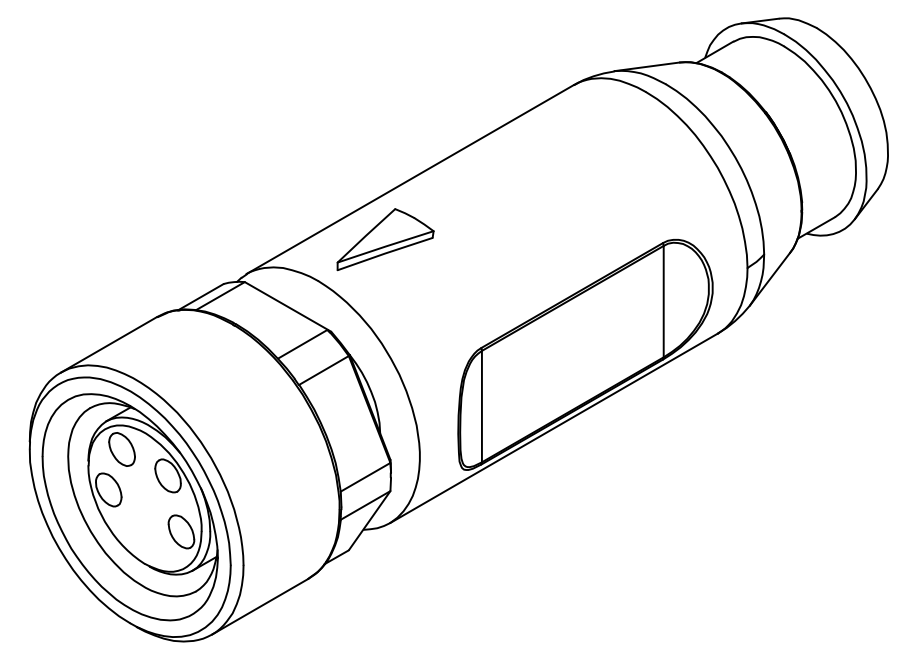
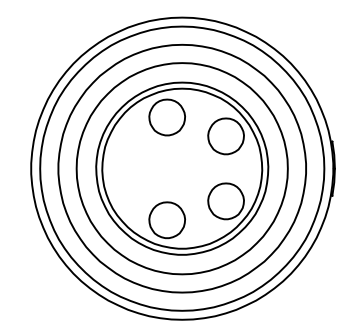
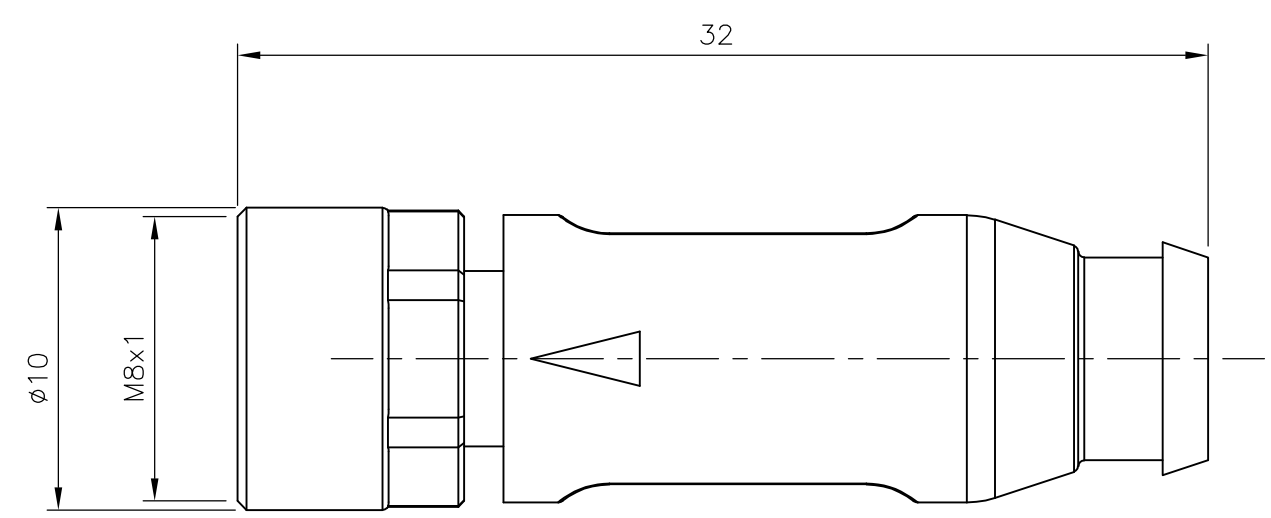
3

2

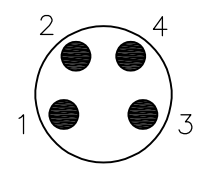
1

THIS DRAWING IS UNPUBLISHED.      RELEASED FOR PUBLICATION      - . - .  
 © COPYRIGHT - By -      ALL RIGHTS RESERVED.

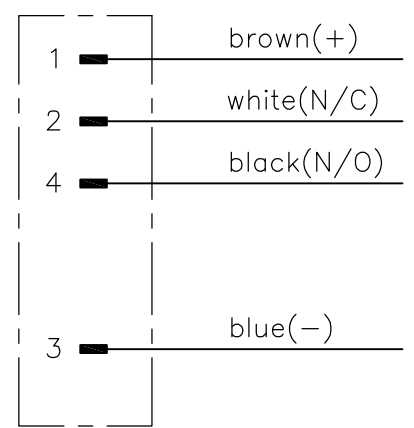
LOC	DIST	REVISIONS			
P	LTR	DESCRIPTION	DATE	DWN	APVD
	A	INITIAL RELEASE	29APR2014	GSK	BvH



Contact Layout  
Male



Circuit diagram



M8 X 1.0 STRAIGHT PLUG 4POS	2273184-1
DESCRIPTION	TE PN

THIS DRAWING IS A CONTROLLED DOCUMENT.		DWN 29APR2014 SATHISH KUMAR .G	TE Connectivity			
		CHK 29APR2014 B.VELDHOVEN				
DIMENSIONS: mm		APVD 29APR2014 A.VAN ZANDVOORT	NAME M8 X 1.0 STRAIGHT PLUG 4POS			
TOLERANCES UNLESS OTHERWISE SPECIFIED:		PRODUCT SPEC	-			
		APPLICATION SPEC	-			
MATERIAL		WEIGHT	SIZE	CAGE CODE	DRAWING NO	RESTRICTED TO
-		-	A3	00779	C-2273184	-
CUSTOMER DRAWING			SCALE	SHEET	REV	
			NTS	1 OF 1	A	