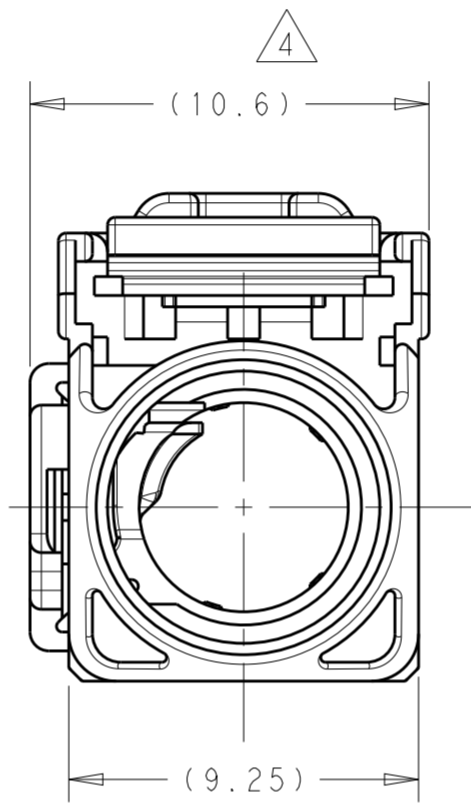
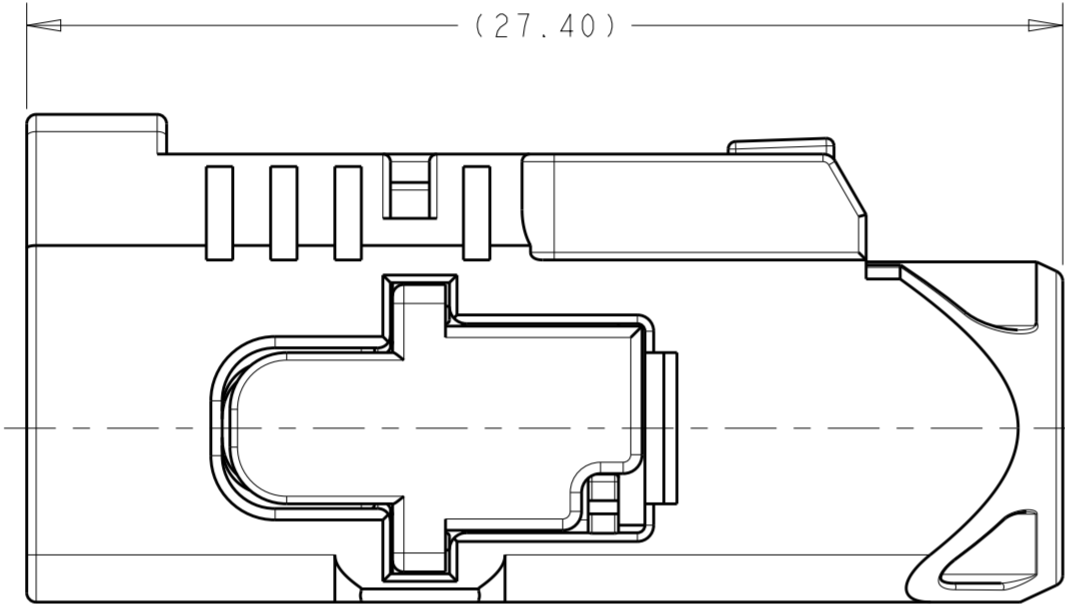
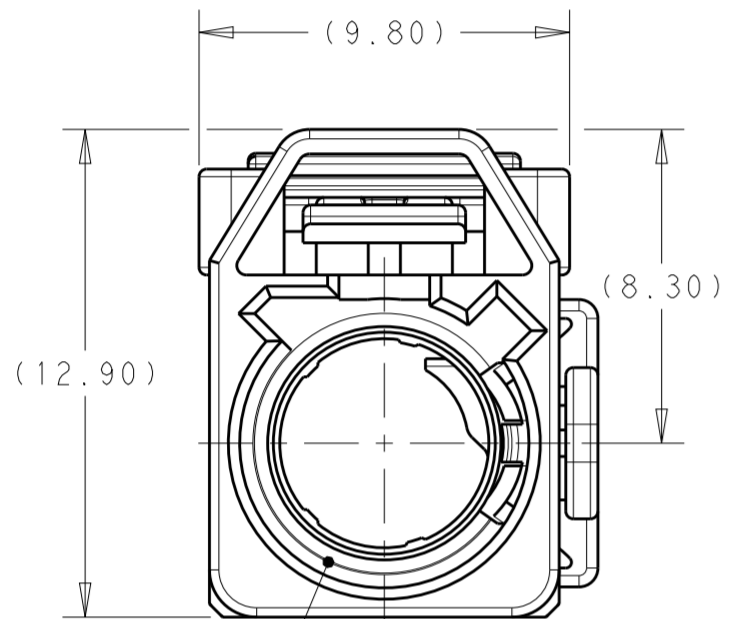
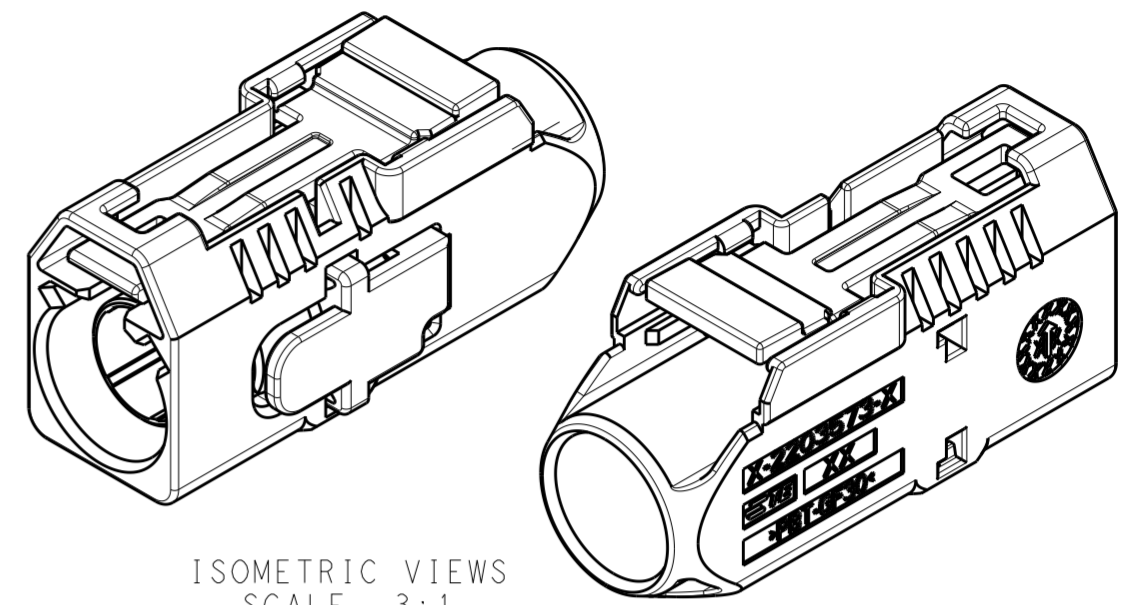
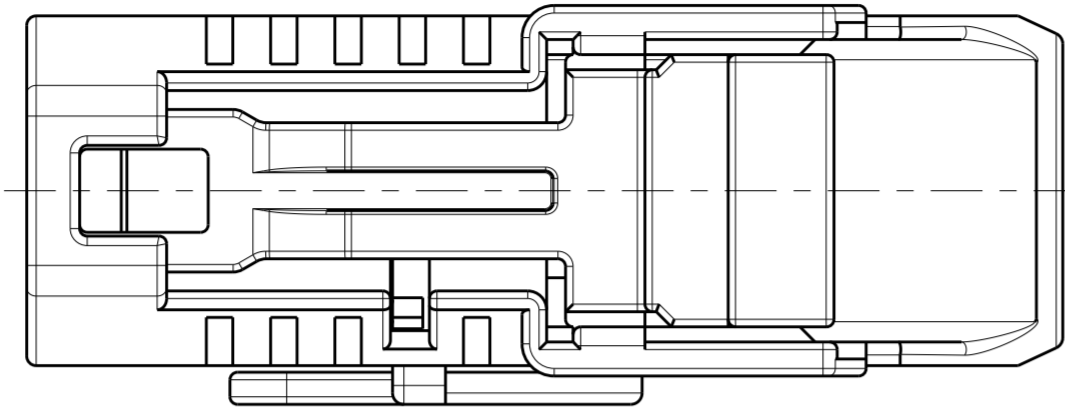


THIS DRAWING IS UNPUBLISHED. RELEASED FOR PUBLICATION 20  
 © COPYRIGHT 20 BY - ALL RIGHTS RESERVED.

REVISIONS				
P	LTR	DESCRIPTION	DATE	APVD
C1		REVISED	23DEC2015	DJL DJL
D		REVISED	26APR2016	RM RJD
E		REVISED	10MAR2017	ERL ERL
F		REVISED	01MAY2017	JAB ERL



4 SECONDARY LOCK

HOUSING

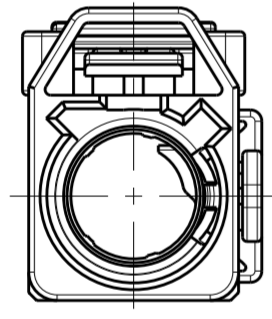
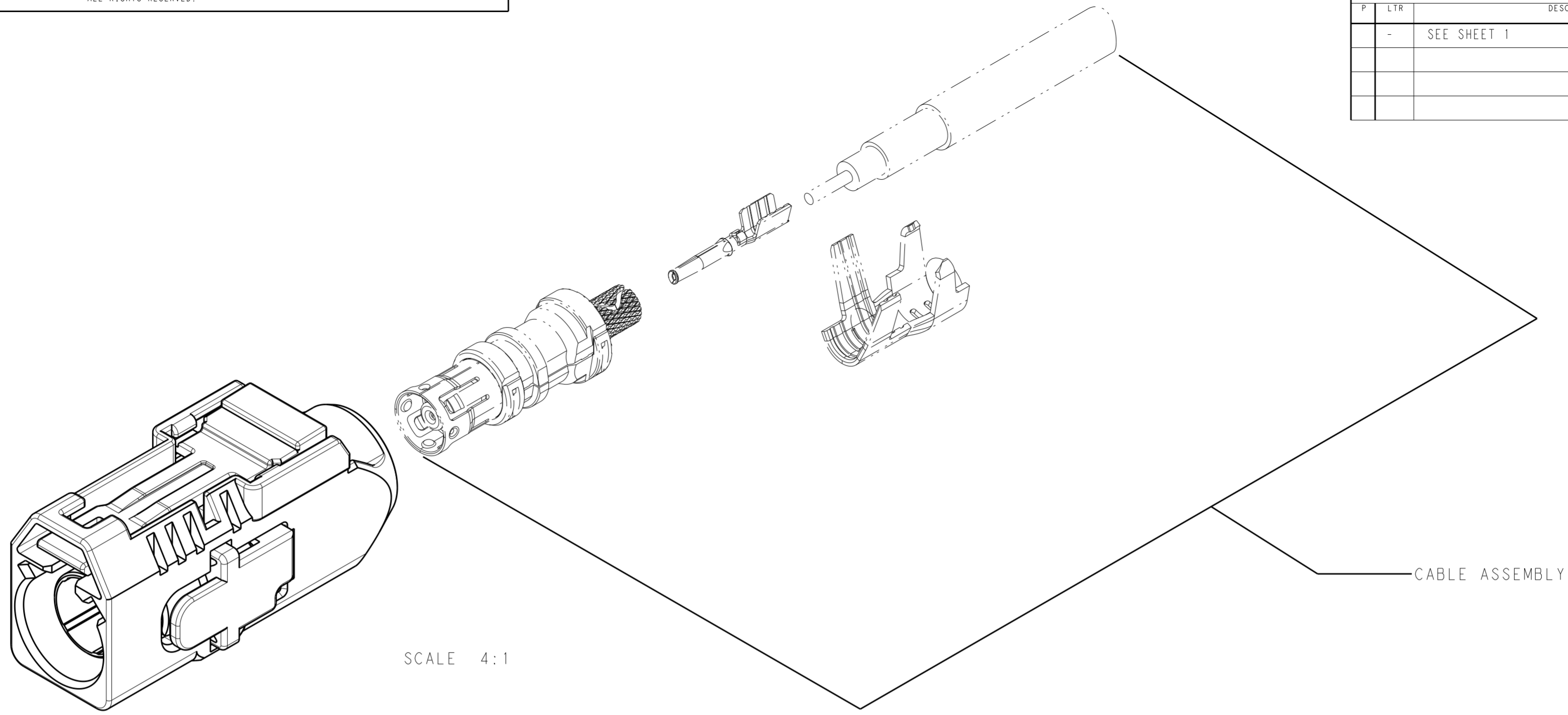
2203275-[1] (SOLD SEPARATELY) SEE SHEET 2	Z	PER DETAIL Z	WATER BLUE	2-2272519-0
	N	PER DETAIL N	PASTEL GREEN	1-2272519-3
	M	PER DETAIL M	PASTEL ORANGE	1-2272519-2
	L	PER DETAIL L	CARMINE RED	1-2272519-1
	K	PER DETAIL K	CURRY	1-2272519-0
	I	PER DETAIL I	BEIGE	2272519-9
	H	PER DETAIL H	HEATHER VIOLET	2272519-8
	G	PER DETAIL G	BLUE GREY	2272519-7
	F	PER DETAIL F	NUT BROWN	2272519-6
	E	PER DETAIL E	LEAF GREEN	2272519-5
	D	PER DETAIL D	CLARET VIOLET	2272519-4
C	PER DETAIL C	SIGNAL BLUE	2272519-3	
B	PER DETAIL B	CREAM	2272519-2	
A	PER DETAIL A	JET BLACK	2272519-1	
CABLE ASSEMBLY QTY=1	CODING REF	KEYING	CODING COLOR	PART NUMBER

- 1 HOUSING - POLYESTER PBT, COLOR: SEE TABLE, GLASS FILLED.  
SECONDARY LOCK - POLYESTER PBT, TRAFFIC RED GLASS FILLED.  
CABLE ASSEMBLY - SEE DRAWING 2203275.
- 2 CABLE ASSEMBLY: SEE TABLE.
- 3 FEMALE INTERFACE PER ISO-20860-1, ISO-20860-2, SAE/USCAR-17, SAE/USCAR-18.
- 4 SECONDARY LOCK IN PRE-SET POSITION. IF SECONDARY LOCK IS IN FULLY LOCKED POSITION, SEE 408-162008 FOR INSTRUCTIONS TO RE-SET SECONDARY LOCK TO PRE-SET POSITION.
- 5. 2272519-1 AS SHOWN.

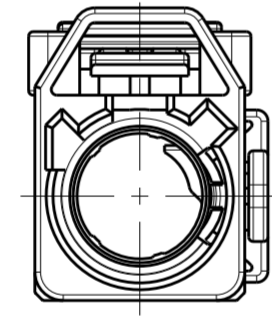
THIS DRAWING IS A CONTROLLED DOCUMENT.		DWN W. SOURBEER 26 JAN 2015	TE Connectivity					
DIMENSIONS: mm		CHK D. J. LANE 26 JAN 2015			NAME FEMALE HOUSING ASSEMBLY, 1 POSITION, FAKRA			
TOLERANCES UNLESS OTHERWISE SPECIFIED:		APVD D. J. LANE 26 JAN 2015			RESTRICTED TO			
0 PLC ±	1 PLC ±	PRODUCT SPEC 108-32137	SIZE A2	CAGE CODE -	DRAWING NO G-2272519	SCALE 5:1	SHEET 1 OF 2	REV F
2 PLC ±	3 PLC ±	APPLICATION SPEC 114-32145	Customer Drawing					
4 PLC ±	ANGLES ±	WEIGHT -						
FINISH -								

THIS DRAWING IS UNPUBLISHED. RELEASED FOR PUBLICATION 20  
 © COPYRIGHT 20 BY - ALL RIGHTS RESERVED.

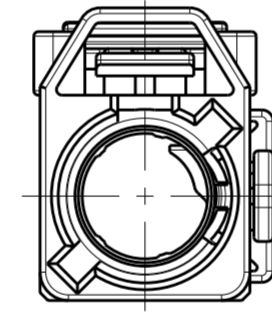
REVISIONS				
P	LTR	DESCRIPTION	DATE	APVD
-		SEE SHEET 1	-	-



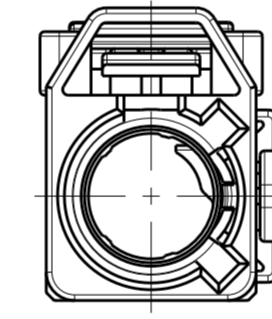
DETAIL A  
SCALE 3:1



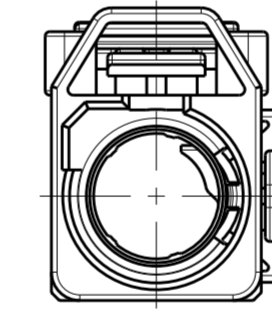
DETAIL B  
SCALE 3:1



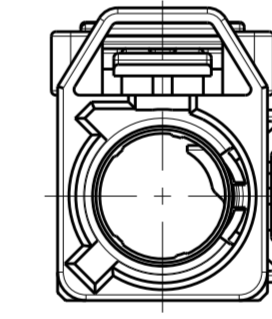
DETAIL C  
SCALE 3:1



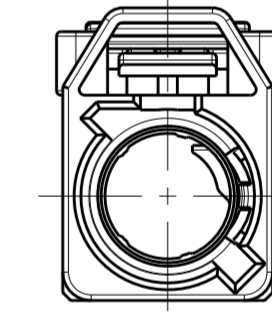
DETAIL D  
SCALE 3:1



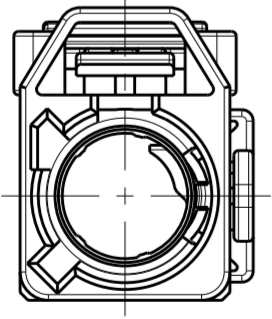
DETAIL E  
SCALE 3:1



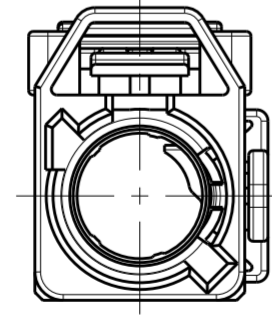
DETAIL F  
SCALE 3:1



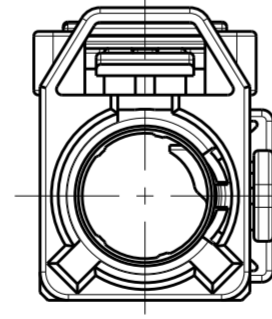
DETAIL G  
SCALE 3:1



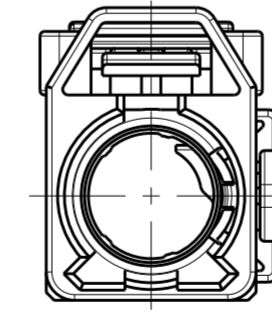
DETAIL H  
SCALE 3:1



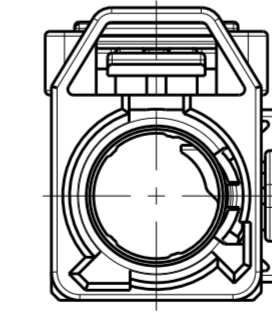
DETAIL I  
SCALE 3:1



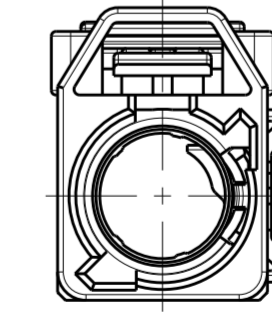
DETAIL K  
SCALE 3:1



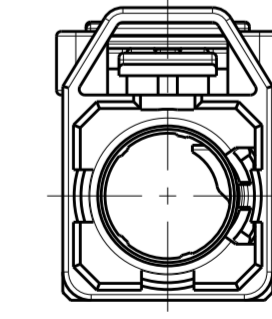
DETAIL L  
SCALE 3:1




DETAIL M  
SCALE 3:1



DETAIL N  
SCALE 3:1



DETAIL Z  
SCALE 3:1

THIS DRAWING IS A CONTROLLED DOCUMENT.		DWN W. SOURBEER 26 JAN 2015	 TE Connectivity			
DIMENSIONS:		CHK D. J. LANE 26 JAN 2015			NAME FEMALE HOUSING ASSEMBLY, 1 POSITION, FAKRA	
mm		APVD D. J. LANE 26 JAN 2015			PRODUCT SPEC 108-32137	
TOLERANCES UNLESS OTHERWISE SPECIFIED:		APPLICATION SPEC 114-32145	SIZE A2	CAGE CODE -	DRAWING NO. G-2272519	RESTRICTED TO -
MATERIAL		WEIGHT -	SCALE 5:1	SHEET 2 OF 2	REV F	