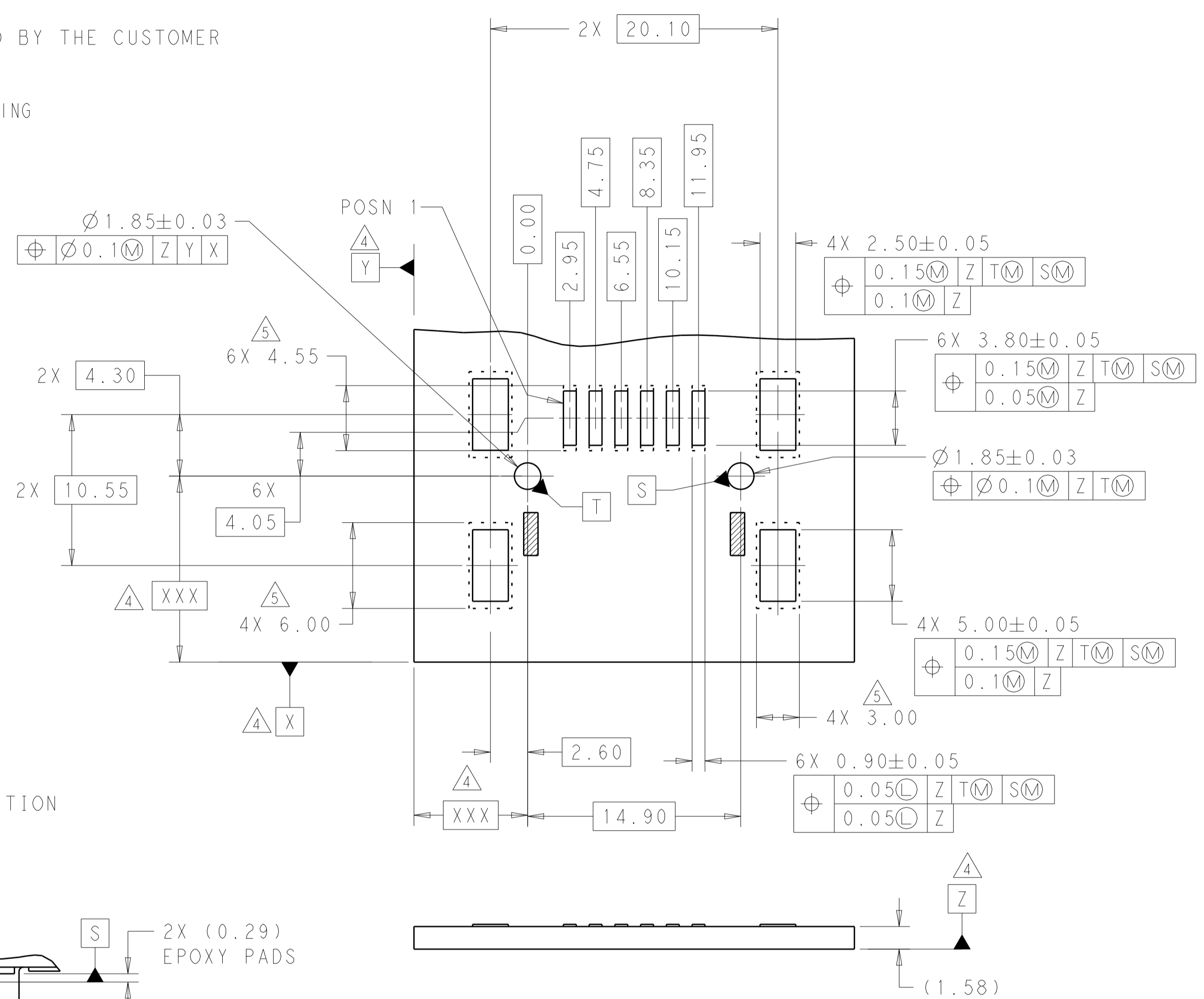
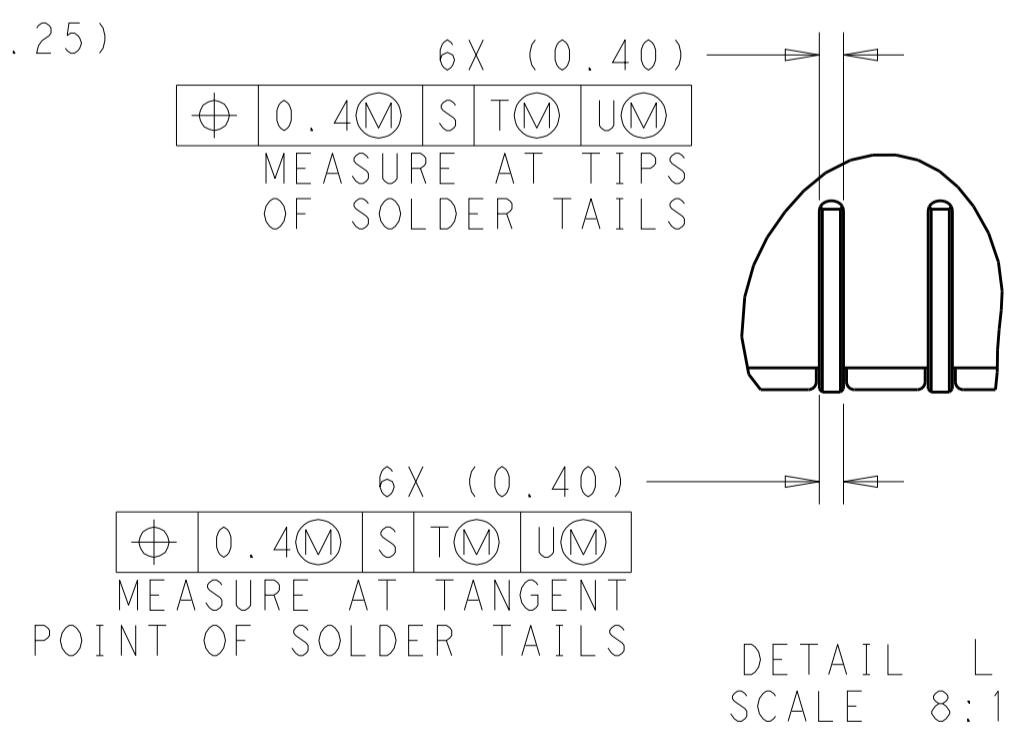
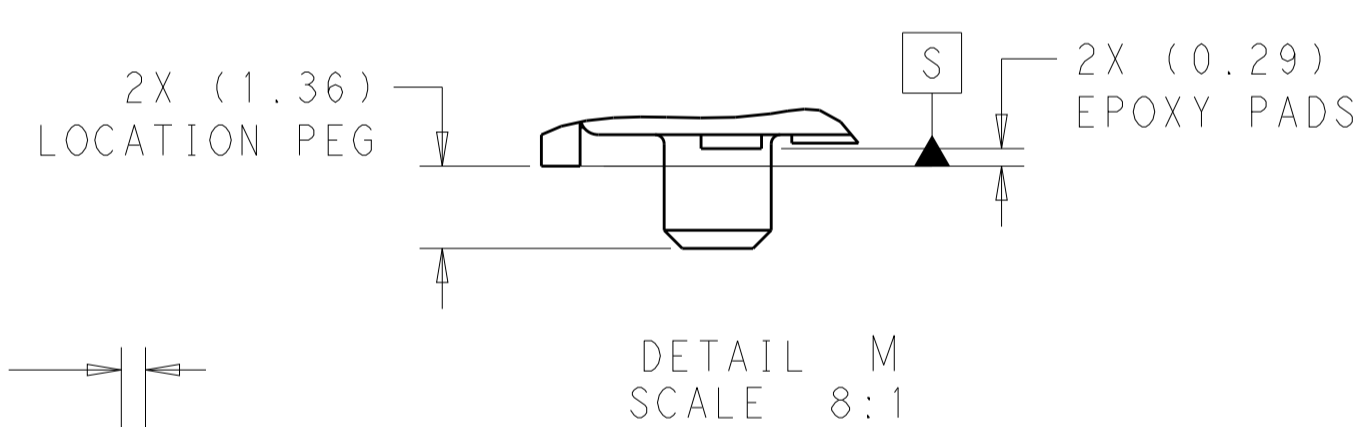
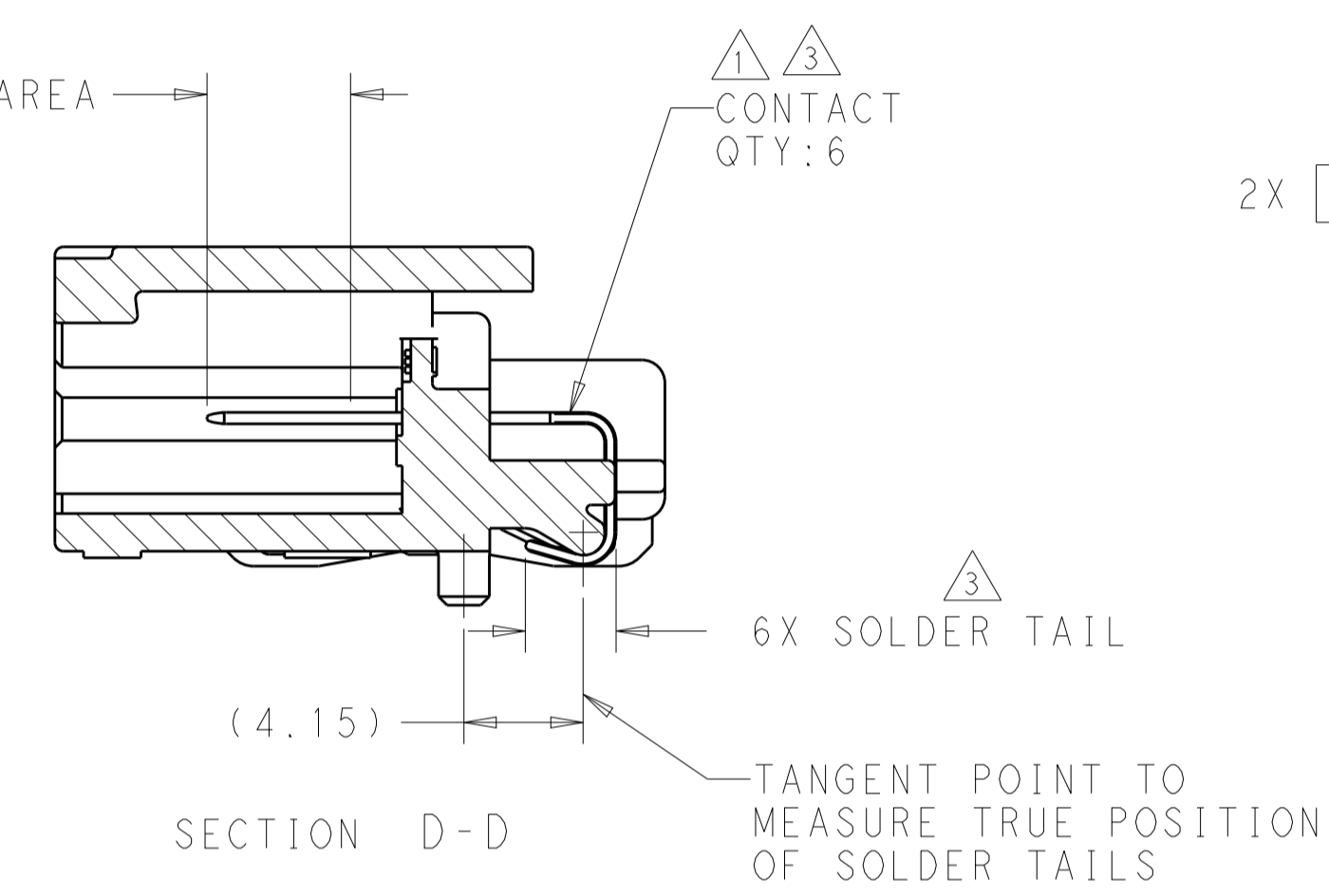
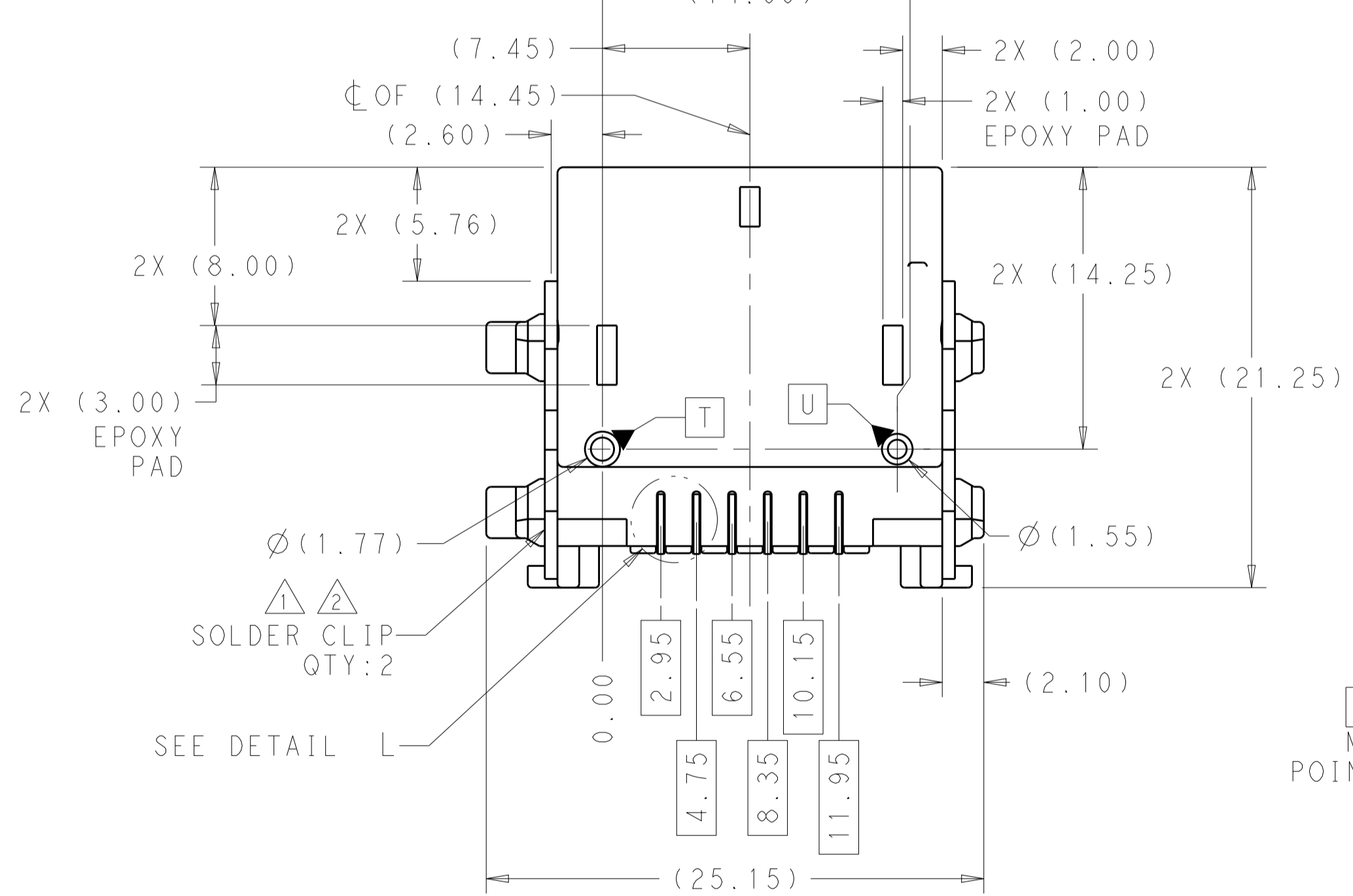
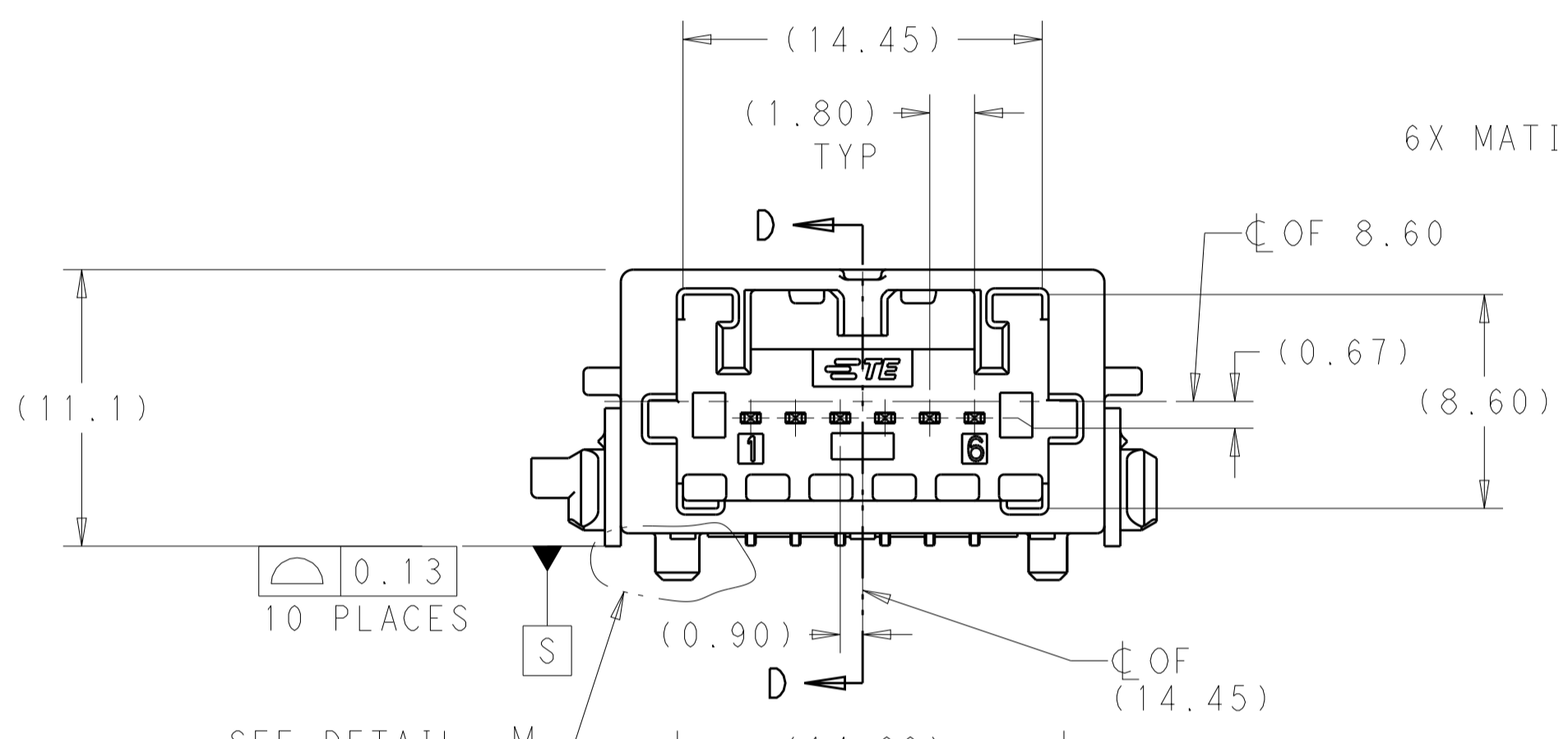
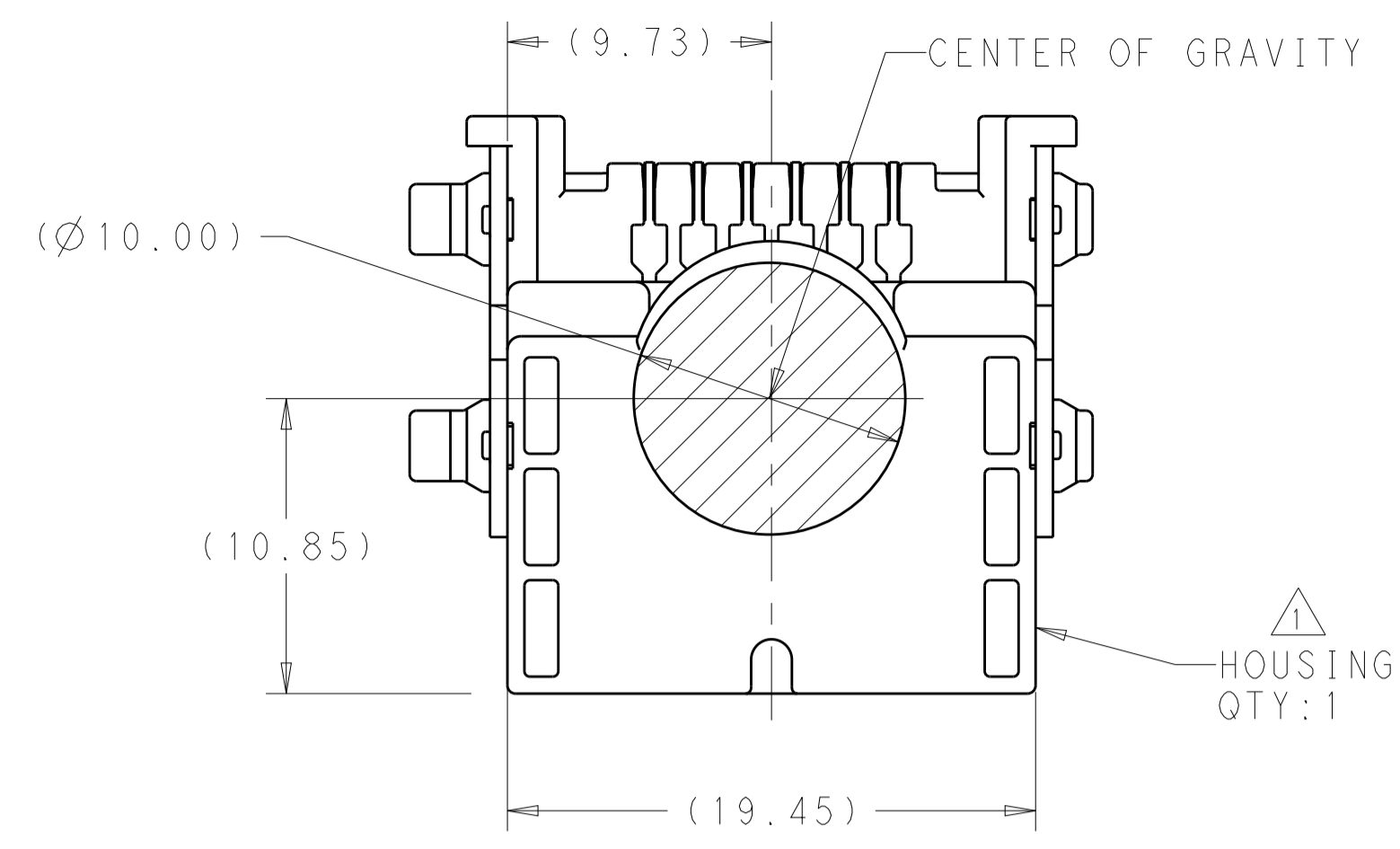
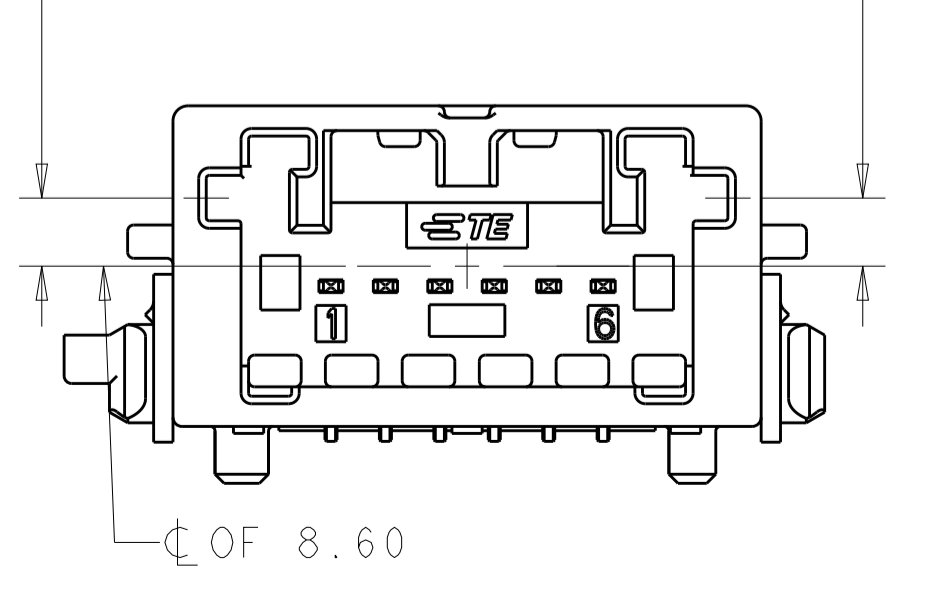
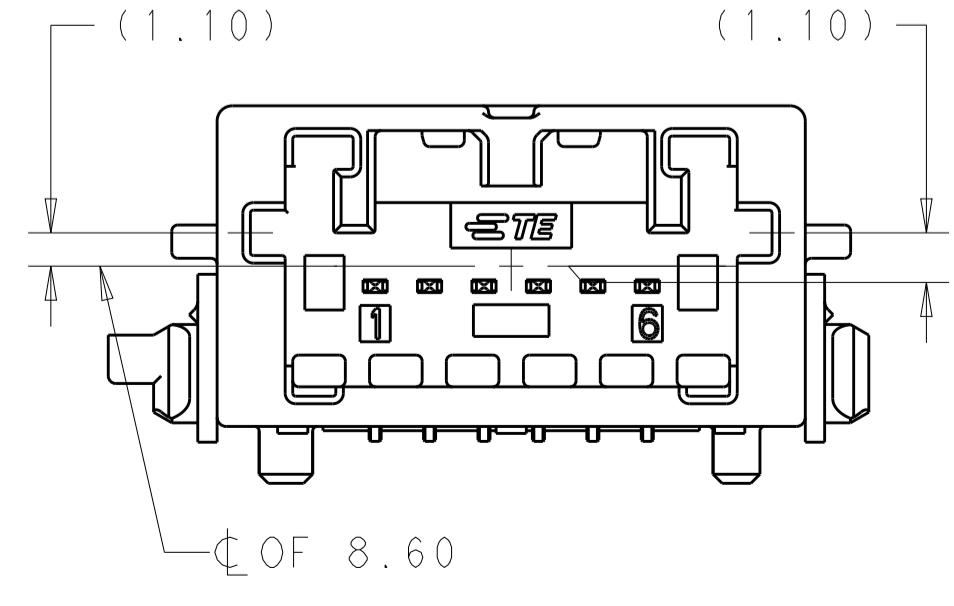
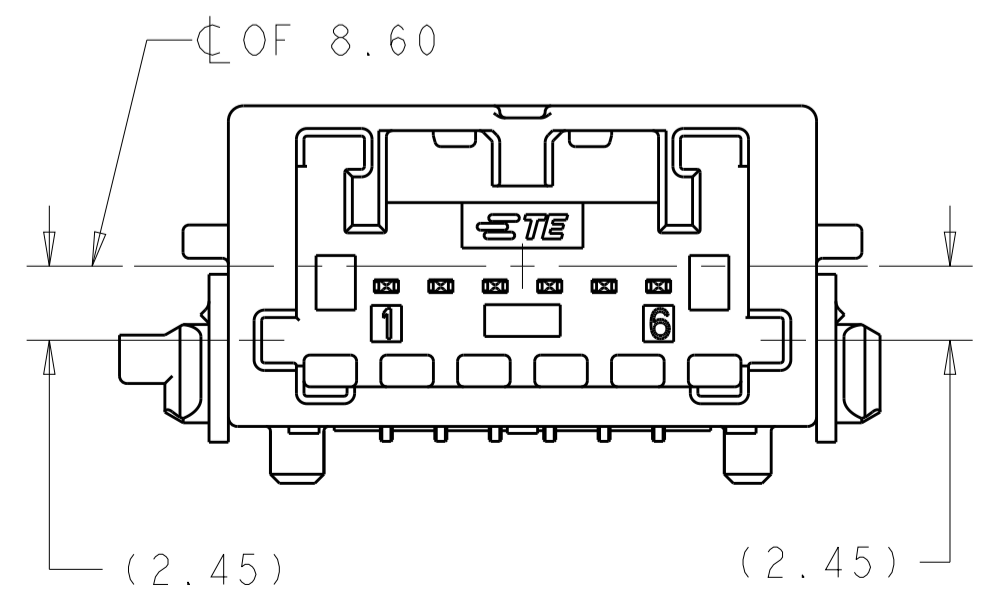
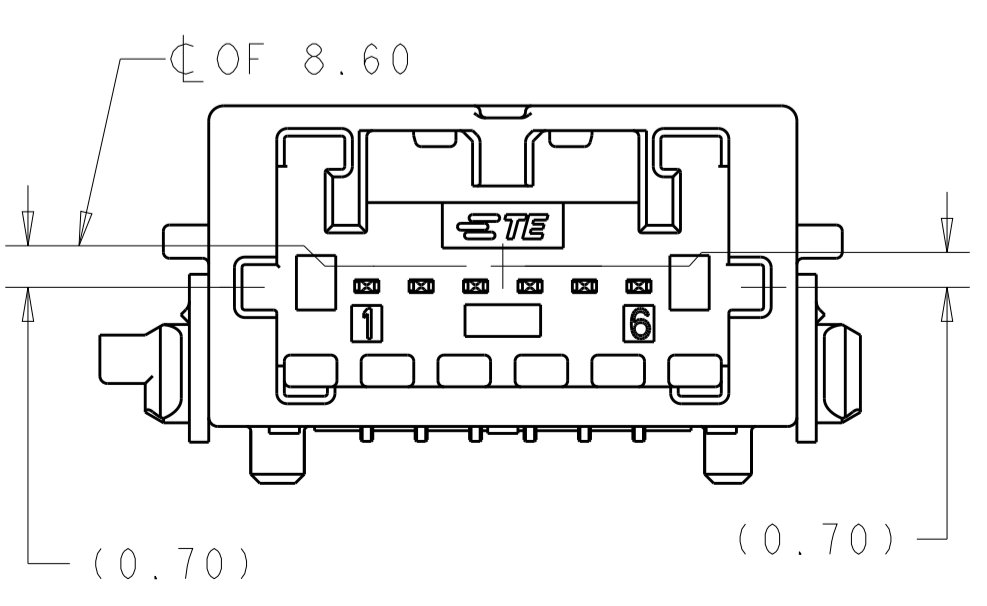
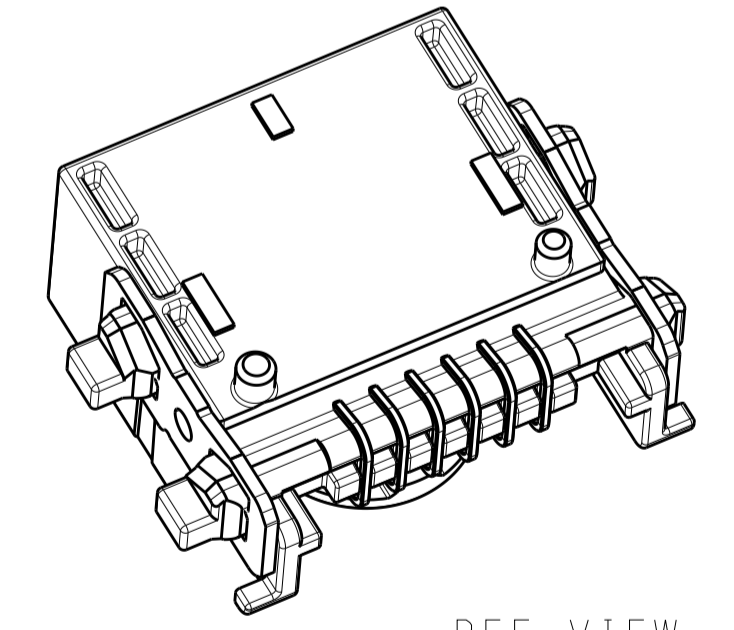
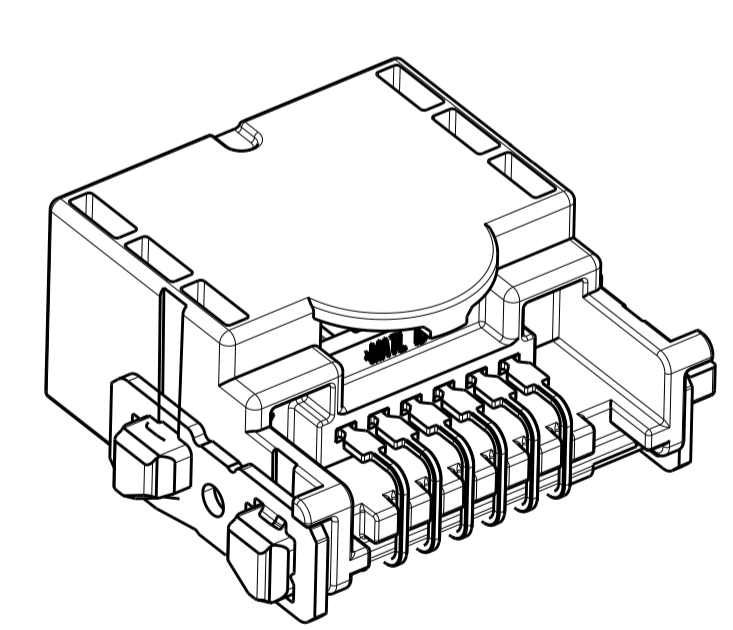


REVISIONS				
P	LTN	DESCRIPTION	DATE	OWN APVD
D		REV PER ECO-18-008042	21NOV2018	HM DF
D1		REVISED PER ECO-20-002671	25FEB2020	JMS CM

- 1 HOUSING: PCT, COLOR - BLACK  
CONTACTS: BRASS  
SOLDER CLIP: BRASS
- 2 SOLDER CLIP: 3.8µm MIN TIN OVER 1.27µm MIN NICKEL
- 3 CONTACT: 0.8µm MIN TIN IN MATING AREA AND 3.0µm MIN TIN IN SOLDER TAIL ALL OVER 2.00µm MIN NICKEL
- 4 DATUMS AND BASIC DIMENSIONS ESTABLISHED BY THE CUSTOMER
- 5 ALLOW FOR OVER PRINTING ON PC BOARD
- 6 THIS PRODUCT HAS NOT COMPLETED VALIDATION TESTING
- 7 THIS PRODUCT HAS COMPLETED VALIDATION TESTING



RECOMMENDED PC BOARD LAYOUT  
CONNECTOR SIDE OF BOARD  
SCALE 4:1



KEY CODE A  
SCALE 4:1

KEY CODE B  
SCALE 4:1

KEY CODE C  
SCALE 4:1

KEY CODE D  
SCALE 4:1

KEY CODE D	2272406-4	6
KEY CODE C	2272406-3	6
KEY CODE B	2272406-2	6
KEY CODE A	2272406-1	6
KEY CODE	PART NUMBER	

THIS DRAWING IS A CONTROLLED DOCUMENT.

OWN	H. MOLL	23APR2014
CHK	D. FRY	13OCT2015
APVD	D. FRY	13OCT2015

TE Connectivity

NAME: HEADER ASSEMBLY, 1x6, 1.80 CENTERLINE, SMT, UNSEALED, GENERATION 50

SIZE: 114-13230  
WEIGHT: 3.2 g  
CAGE CODE: A100779  
DRAWING NO: 2272406

CUSTOMER DRAWING

SCALE 4:1 SHEET 1 OF 1 REV D1