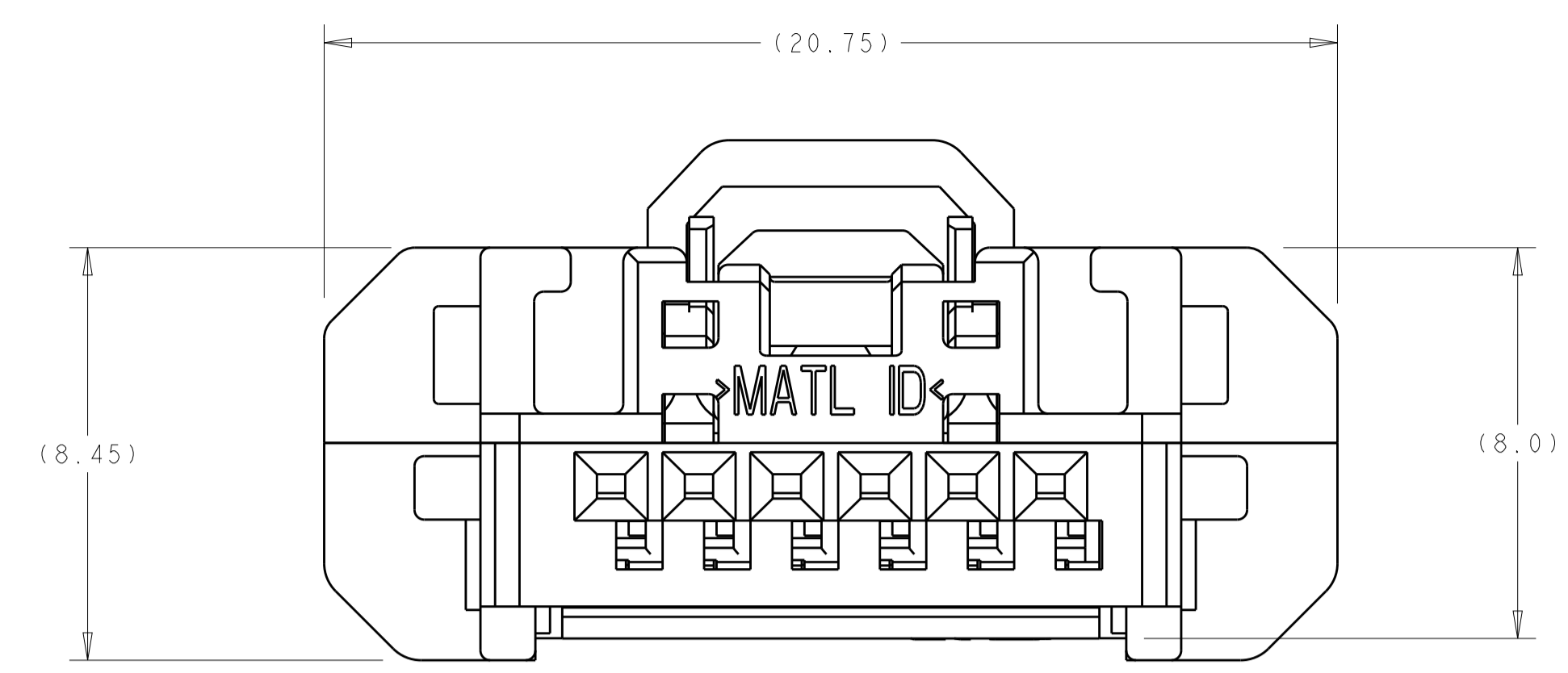
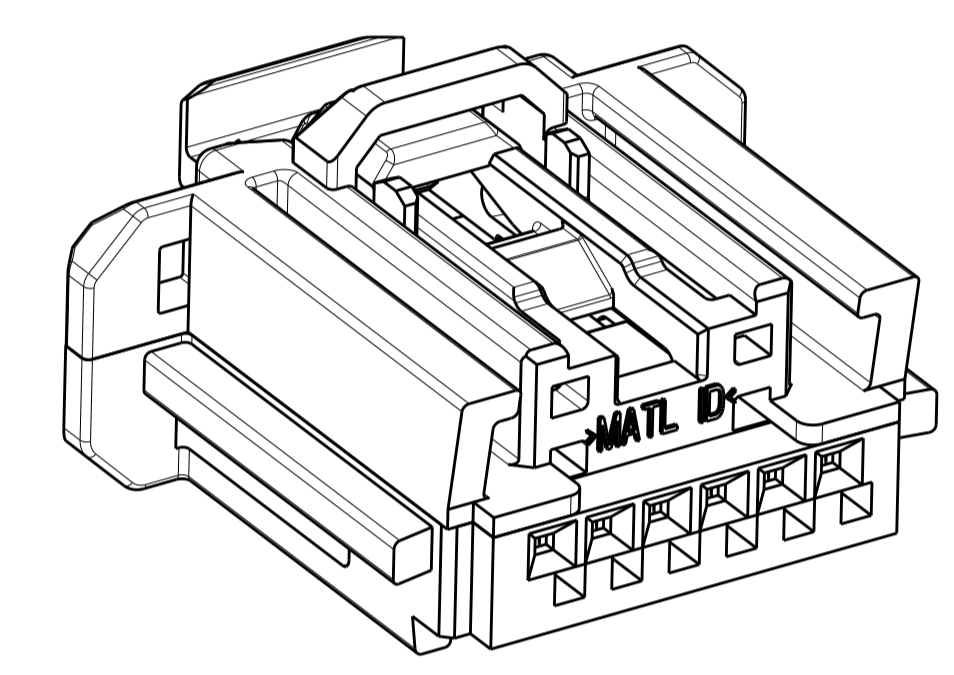


REVISIONS				
P.	LTM	DESCRIPTION	DATE	OWN APVD
C		REV PER ECO-18-008042	21NOV2018	HM DF

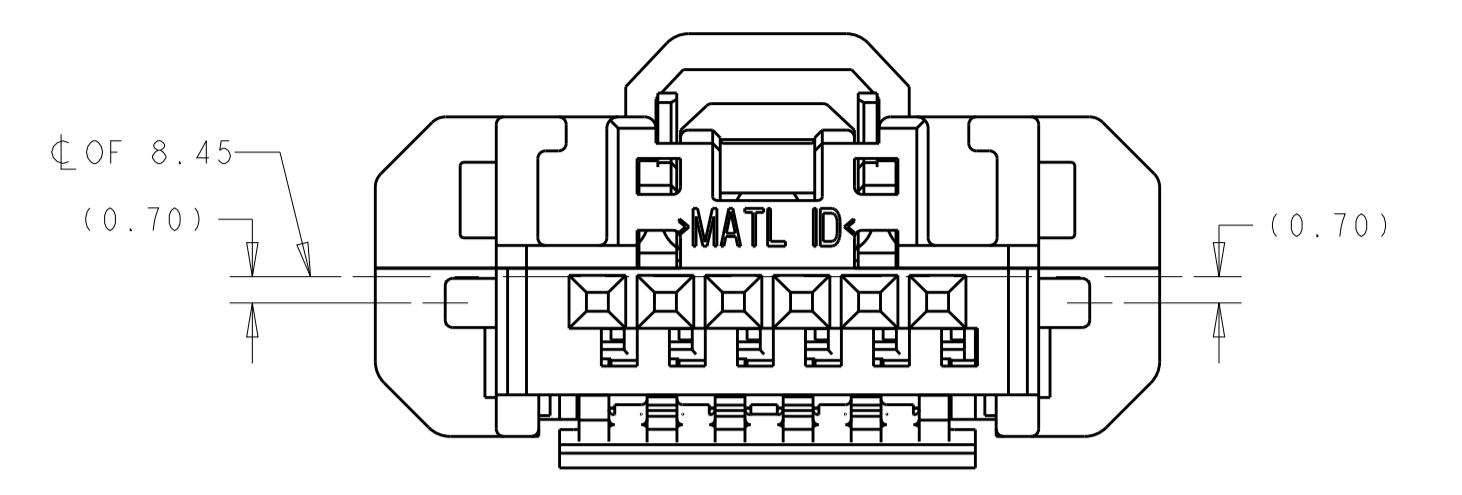
- 1 MATERIAL: PLUG HOUSING - PBT, 15% GLASS FILLED - COLOR; SEE TABLE
 CPA - PBT, 15% GLASS FILLED - COLOR; RED
- 2 ALL DIMENSIONS SHOWN ON THIS PRELIMINARY DRAWING ARE REFERENCE ONLY AND ARE SUBJECT TO CHANGE WITHOUT NOTICE.
- 3 THIS CONNECTOR INTENDED FOR USCAR-2, REV 5, TEMP CLASS 2, VIBRATION CLASS 1.
- 4 CONNECTOR COMPLIES WITH USCAR-25, REV 1, CLASS 2
- 5 COMPATIBLE TERMINAL PART NUMBER 2098583
- 6 WIRE DRESS IS SOLD SEPARATELY
- 7 CPA SHOWN IN PRE-STAGED, AS SHIPPED POSITION
- 8 THIS CONNECTOR HAS NOT COMPLETED PRODUCT VALIDATION TESTING.
- 9 THIS CONNECTOR HAS COMPLETED PRODUCT VALIDATION TESTING.



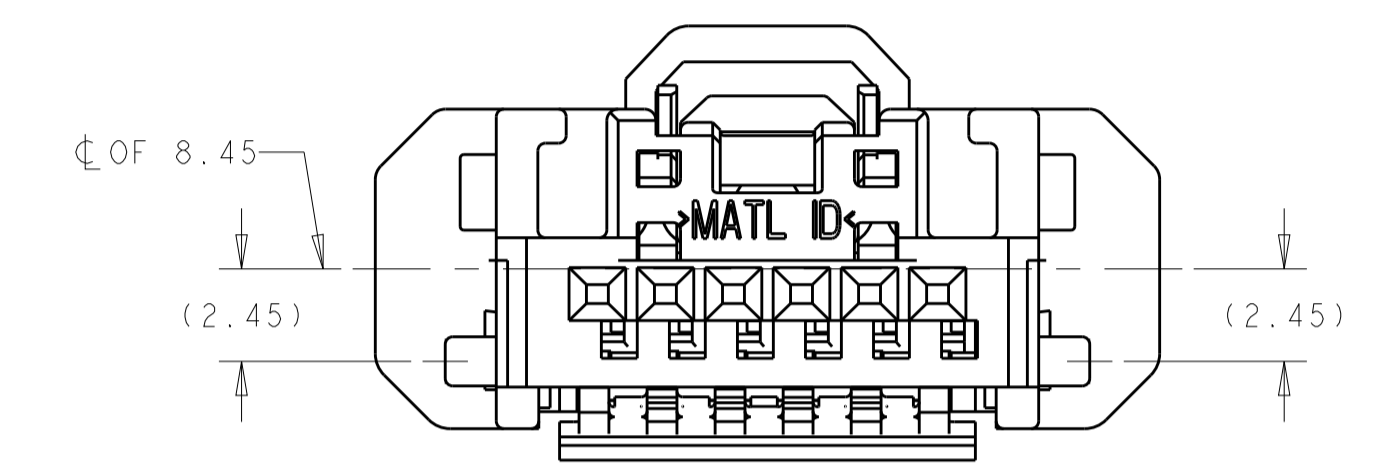
REF VIEW
 ISL SHOWN CLOSED
 SCALE 8:1



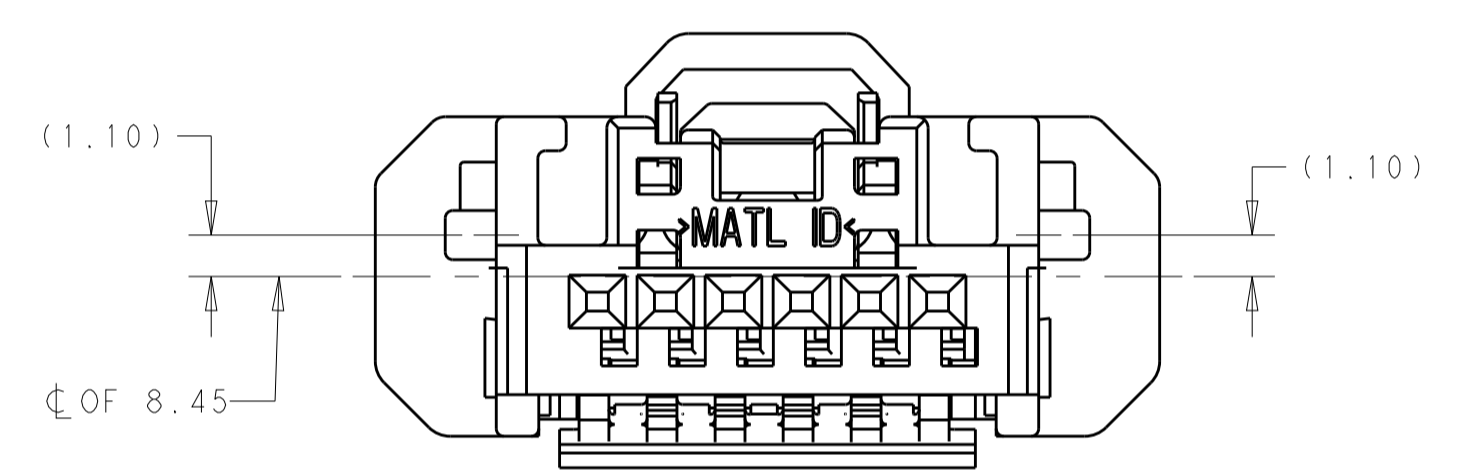
REF VIEW
 SCALE 5:1



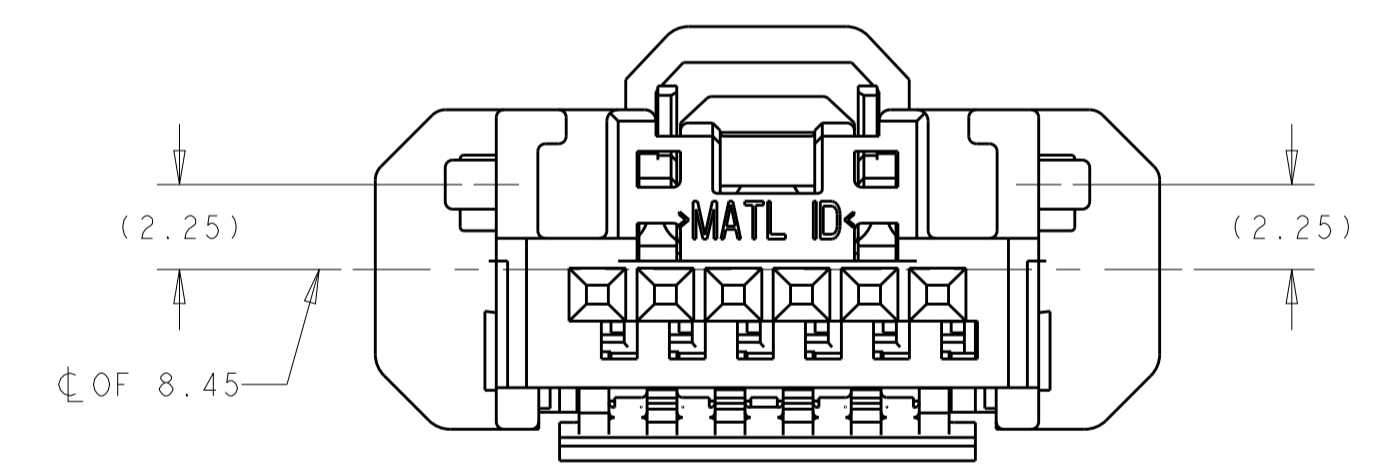
KEY CODE A
 SCALE 5:1



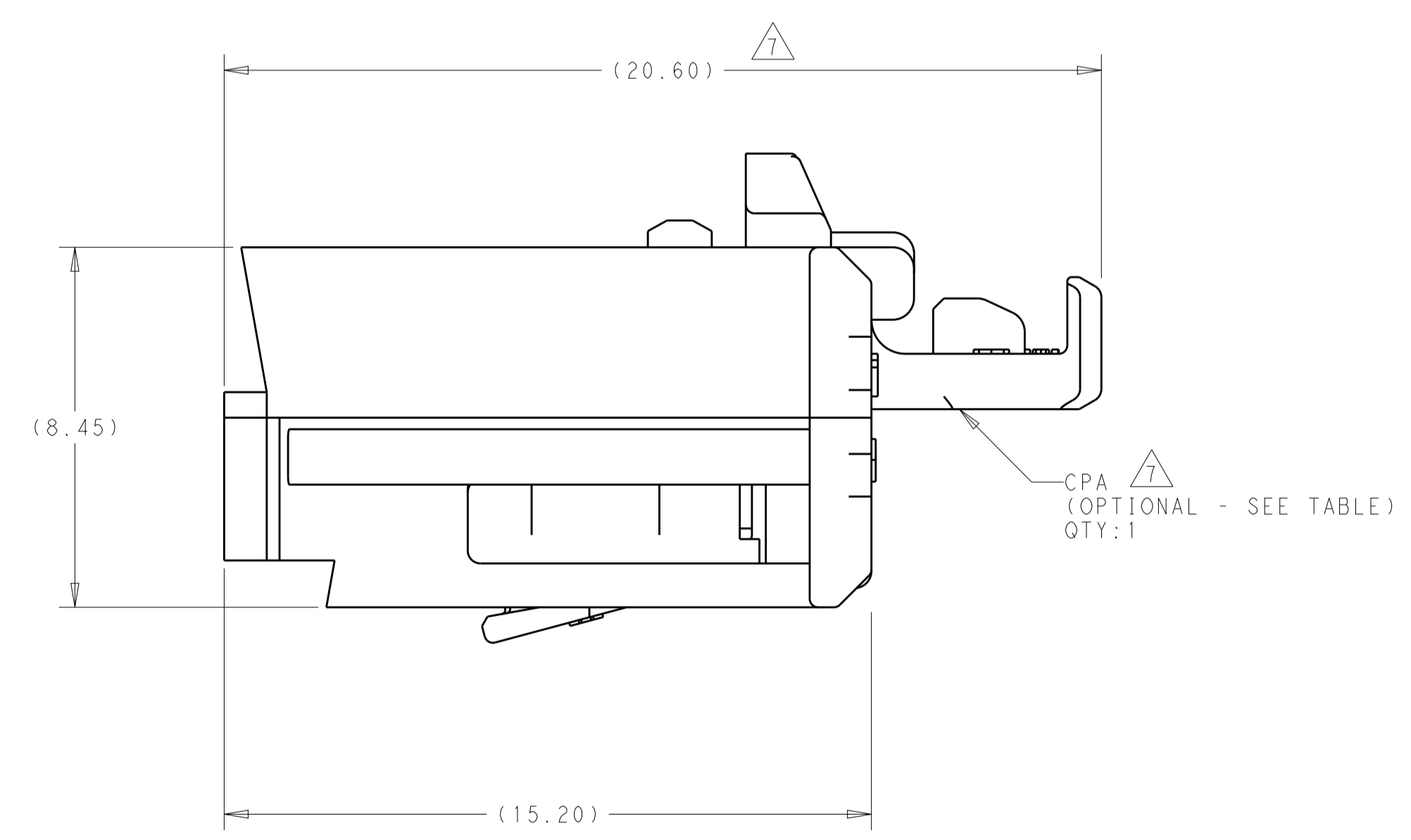
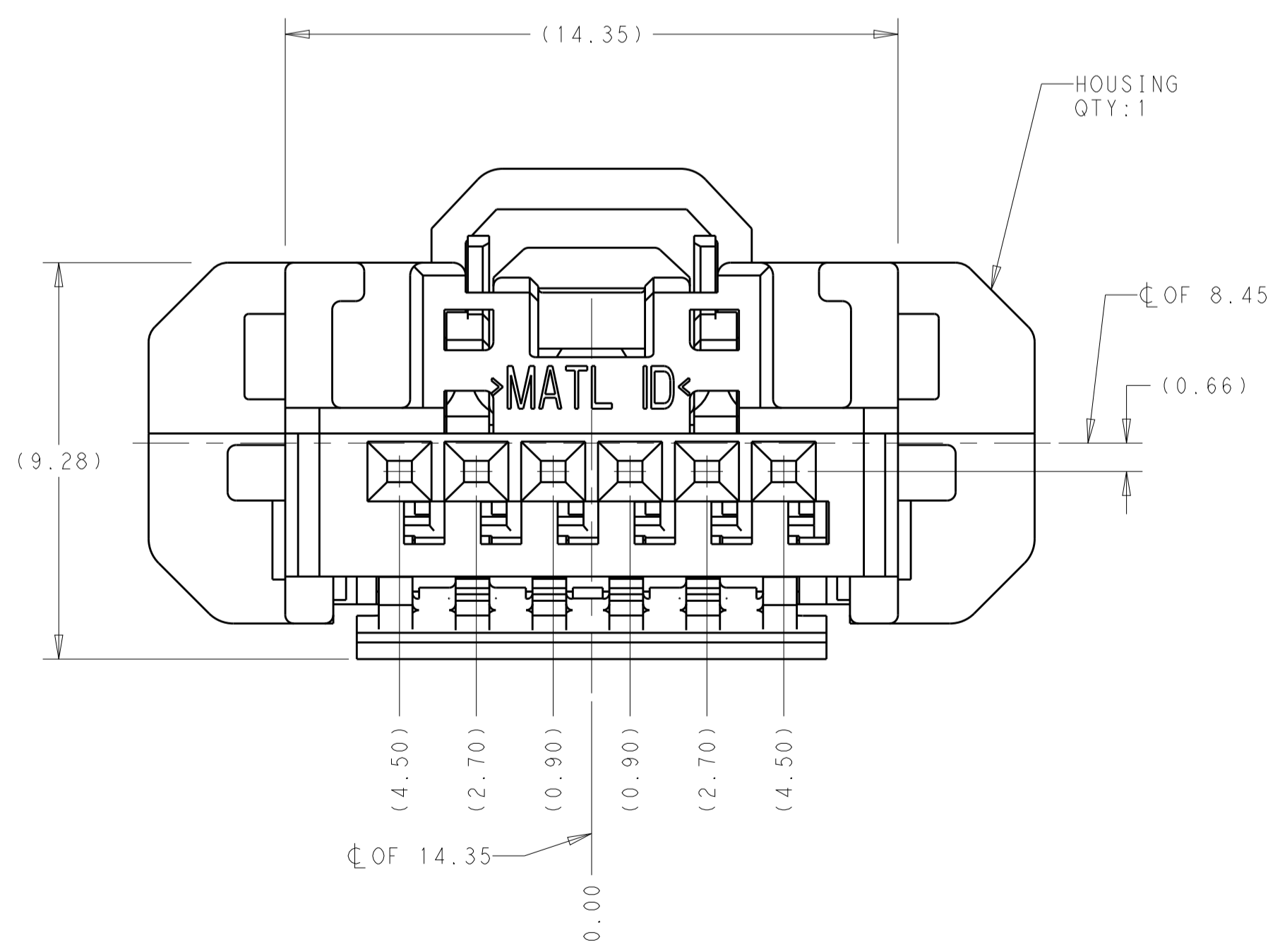
KEY CODE B
 SCALE 5:1



KEY CODE C
 SCALE 5:1



KEY CODE D
 SCALE 5:1



CPA (OPTIONAL - SEE TABLE)
 QTY: 1

1.6 g	YES	BLUE	KEY CODE D	2272405-8
1.6 g	YES	GRAY	KEY CODE C	2272405-7
1.6 g	YES	IVORY (NATURAL)	KEY CODE B	2272405-6
1.6 g	YES	BLACK	KEY CODE A	2272405-5
1.5 g	NO	BLUE	KEY CODE D	2272405-4
1.5 g	NO	GRAY	KEY CODE C	2272405-3
1.5 g	NO	IVORY (NATURAL)	KEY CODE B	2272405-2
1.5 g	NO	BLACK	KEY CODE A	2272405-1
WEIGHT	CPA	PLUG COLOR	PLUG HOUSING	PART NUMBER

THIS DRAWING IS A CONTROLLED DOCUMENT. OWN: H. MOLL 16APR2014
 CHK: D. FRY
 APVD: D. FRY 23NOV2015

TE Connectivity

NAME: PLUG ASSEMBLY, 6 POSN, 1.80 CENTERLINE, UNSEALED, GENERATION 50

SIZE: A1 CAGE CODE: 408-32257 DRAWING NO: 408-32257
 WEIGHT: SEE TABLE
 CUSTOMER DRAWING

SCALE: 6:1 SHEET: 1 OF 1 REV: C