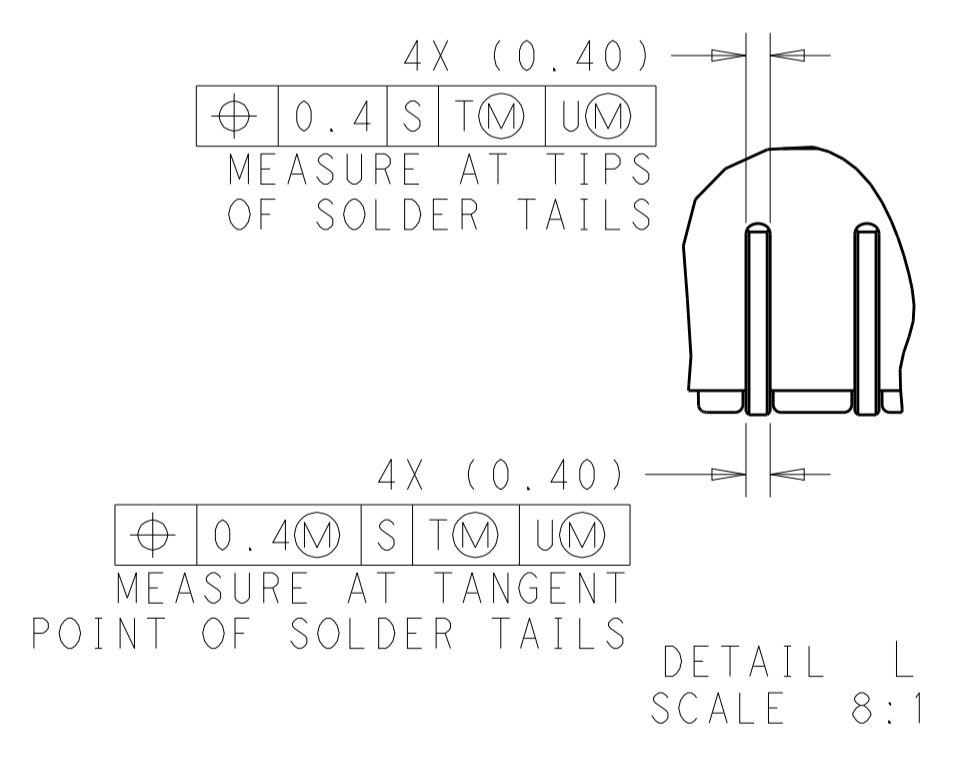
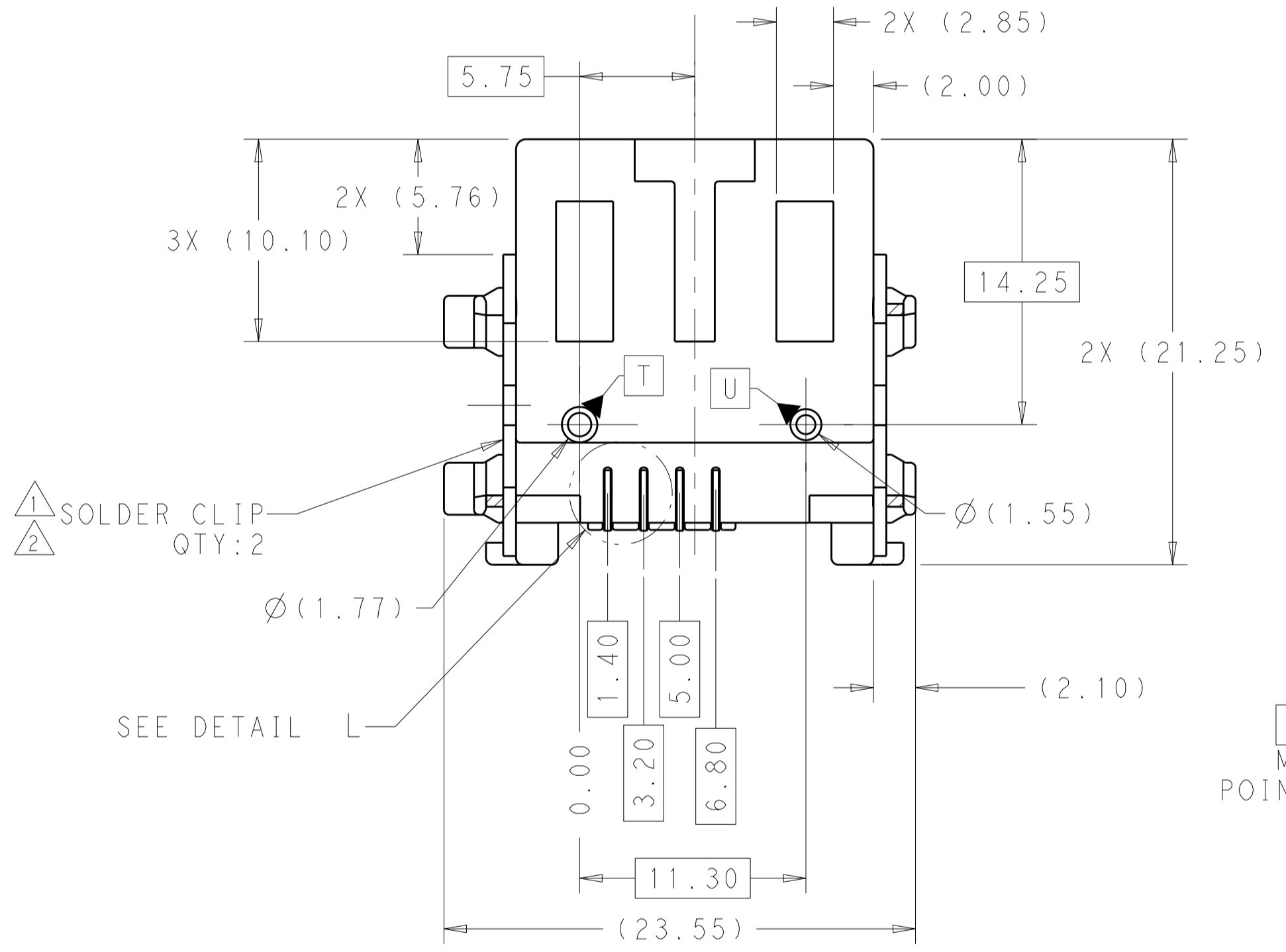
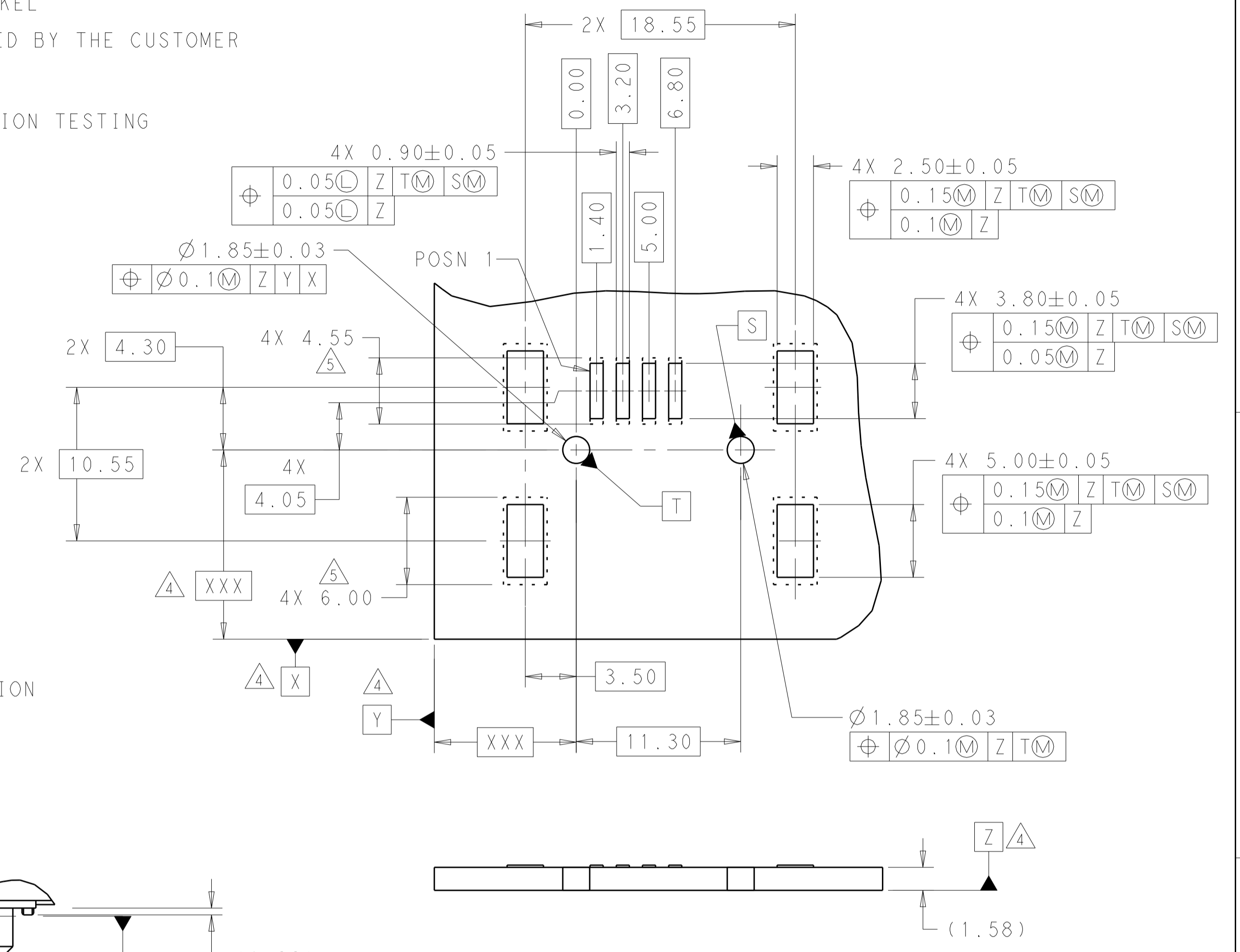
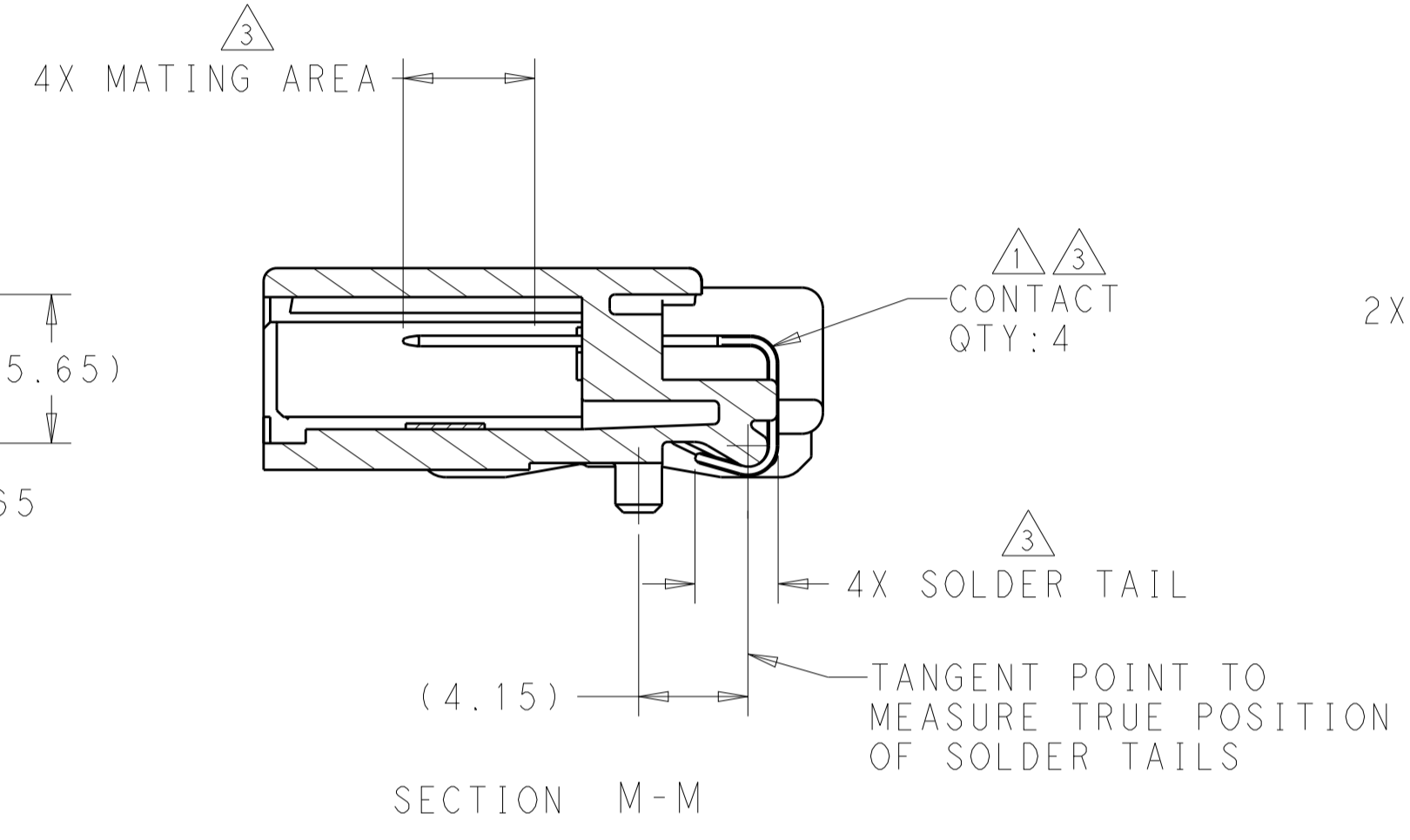
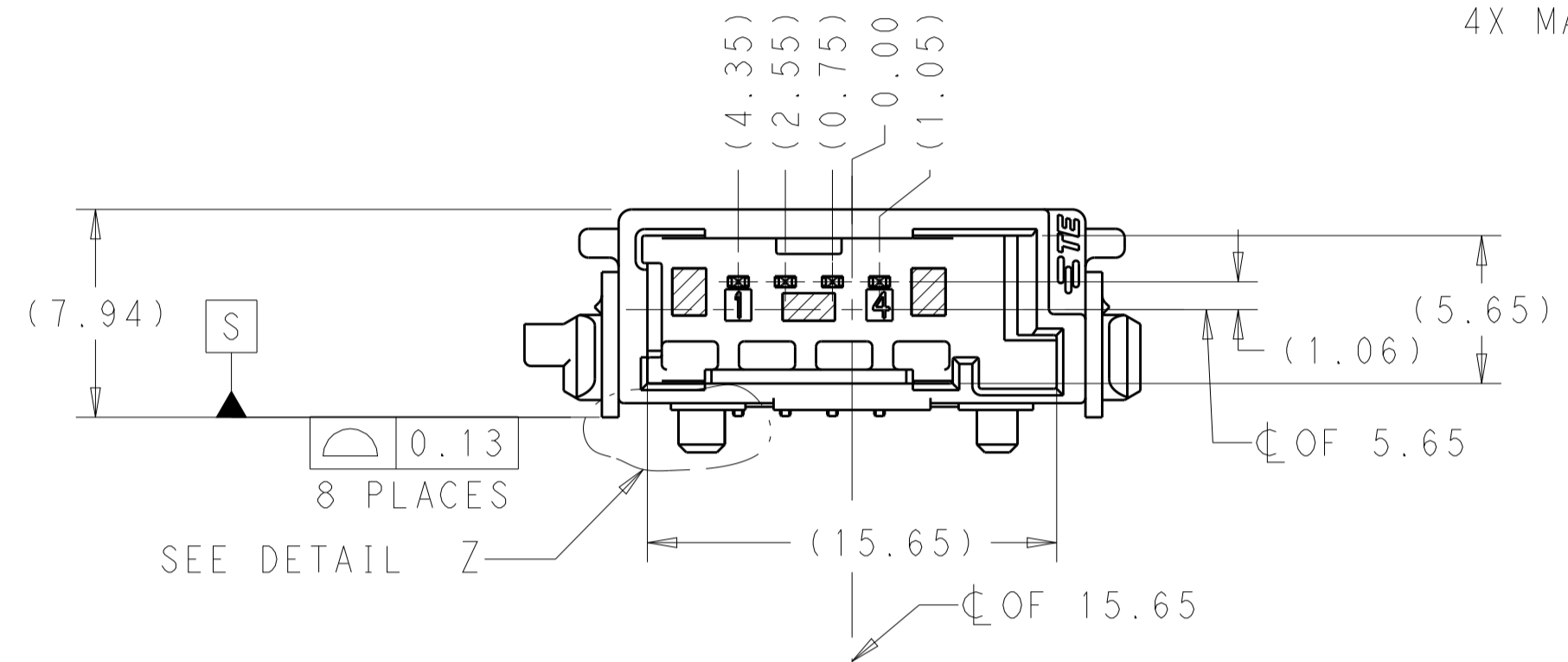
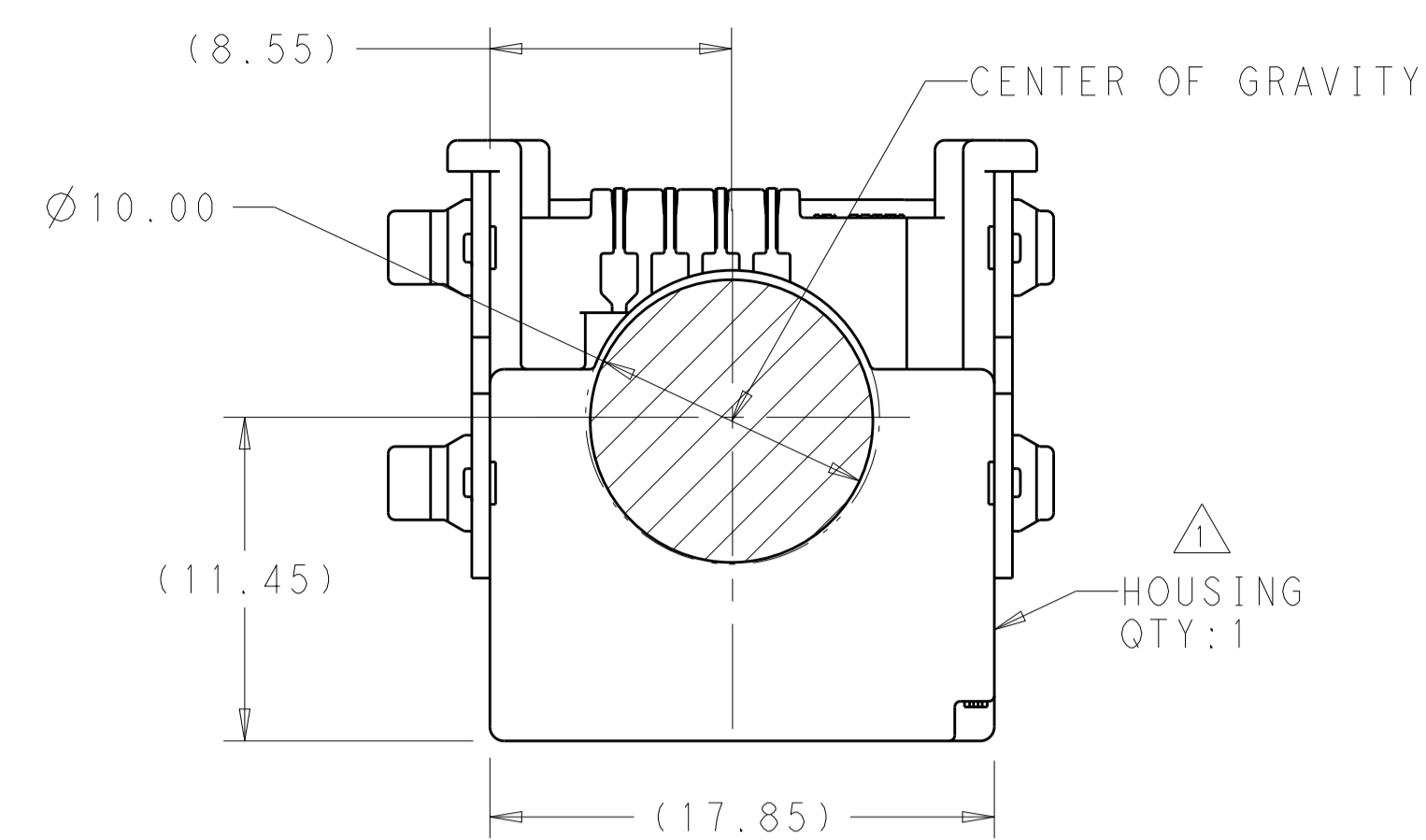
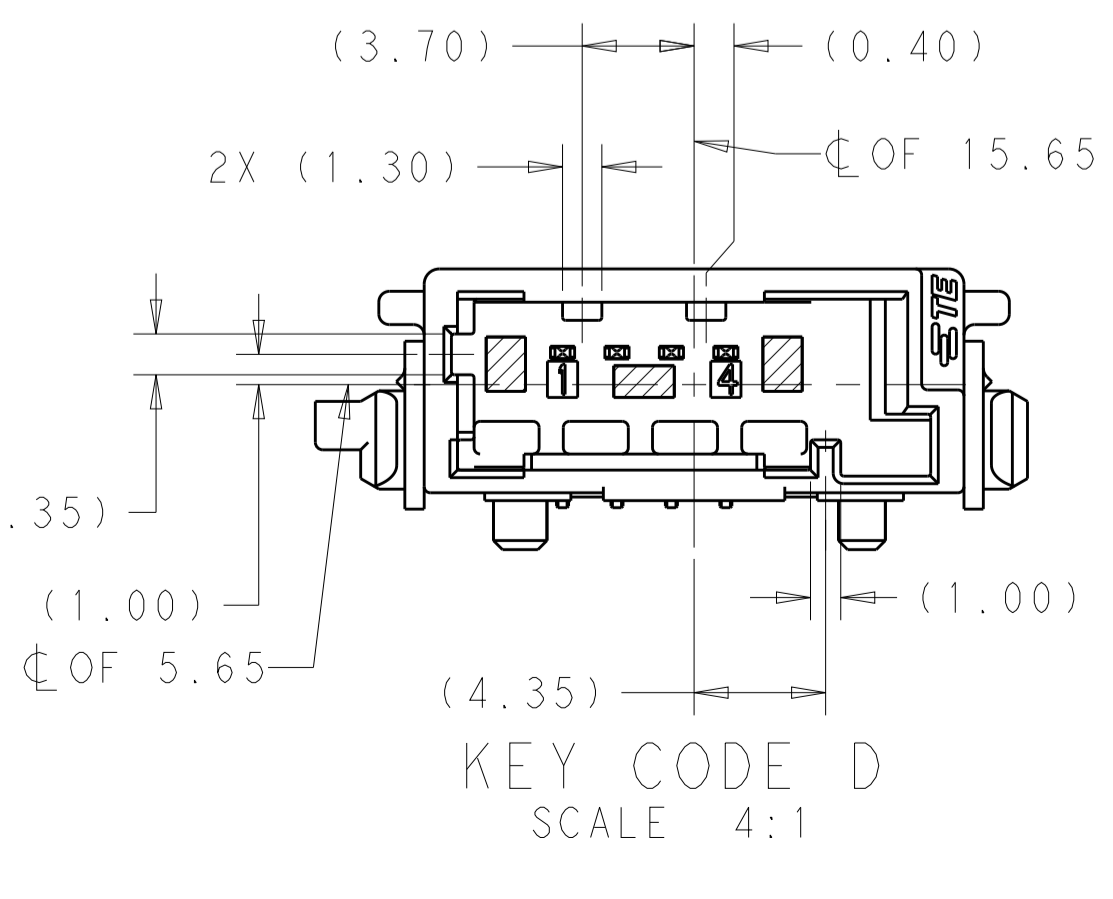
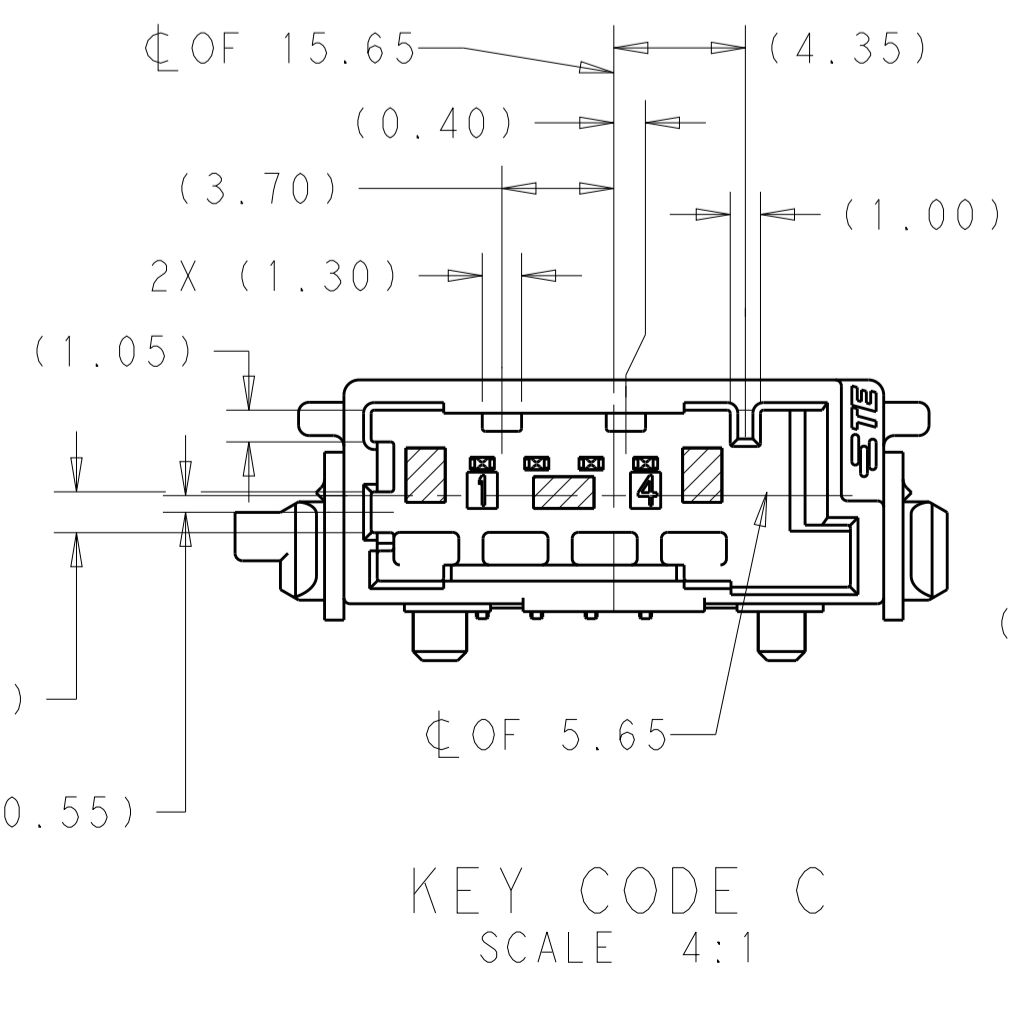
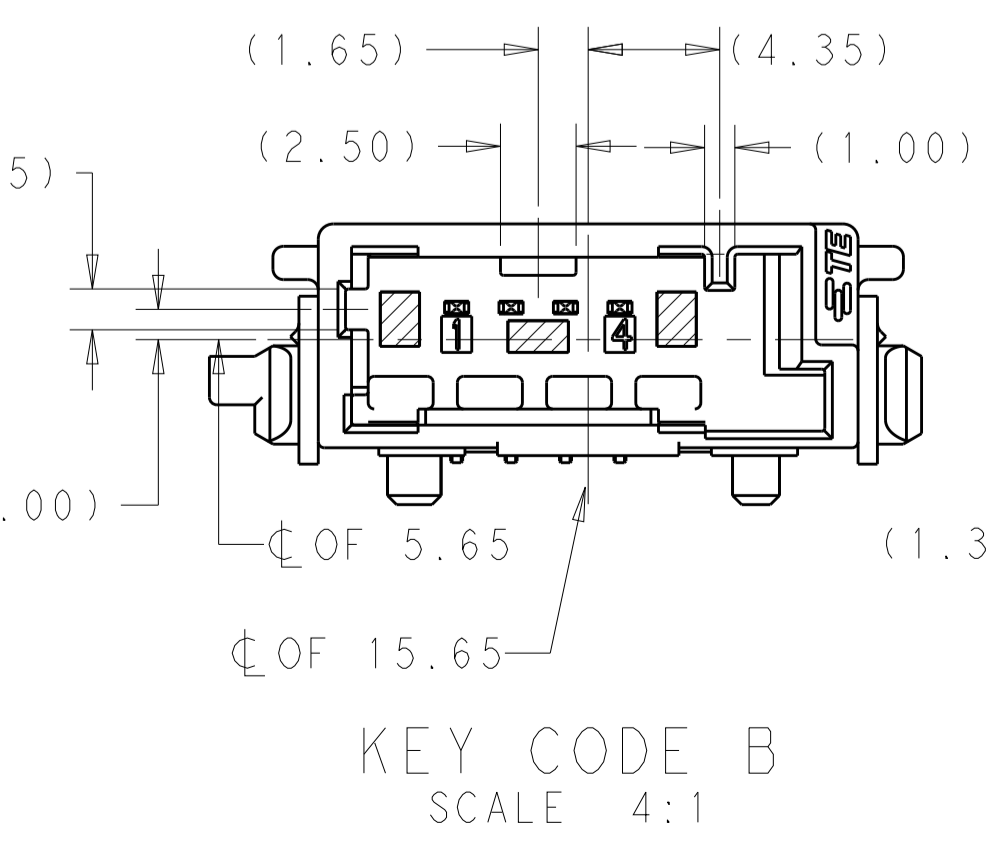
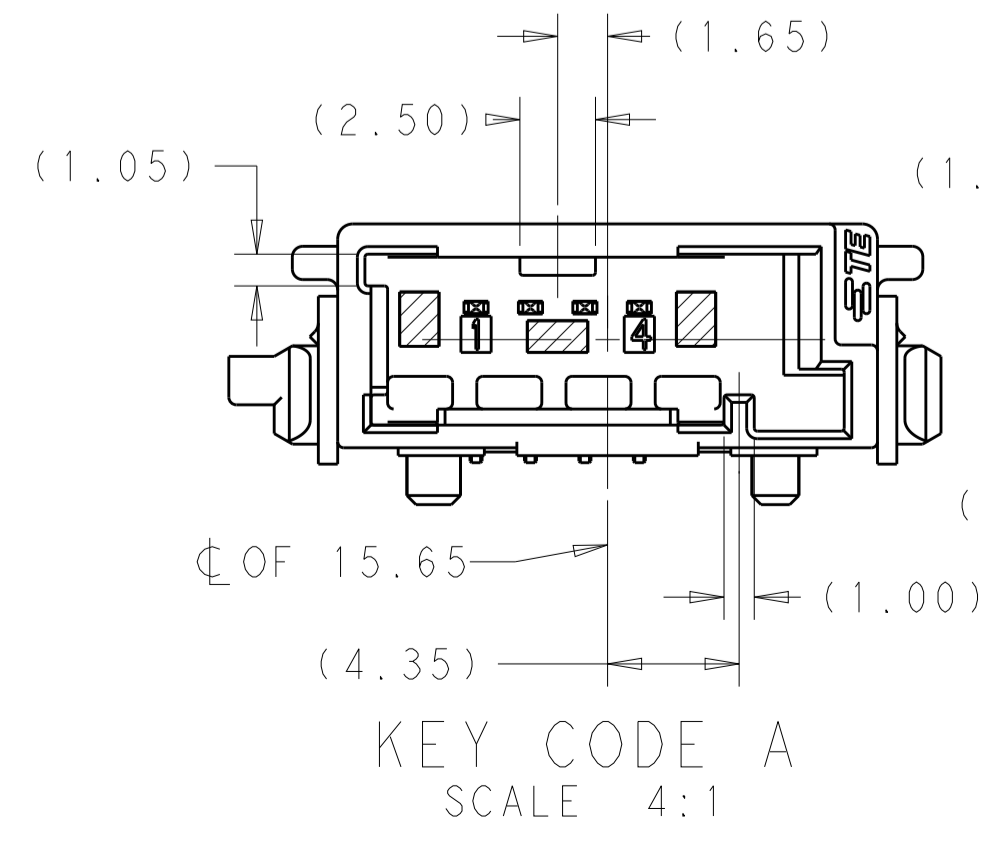
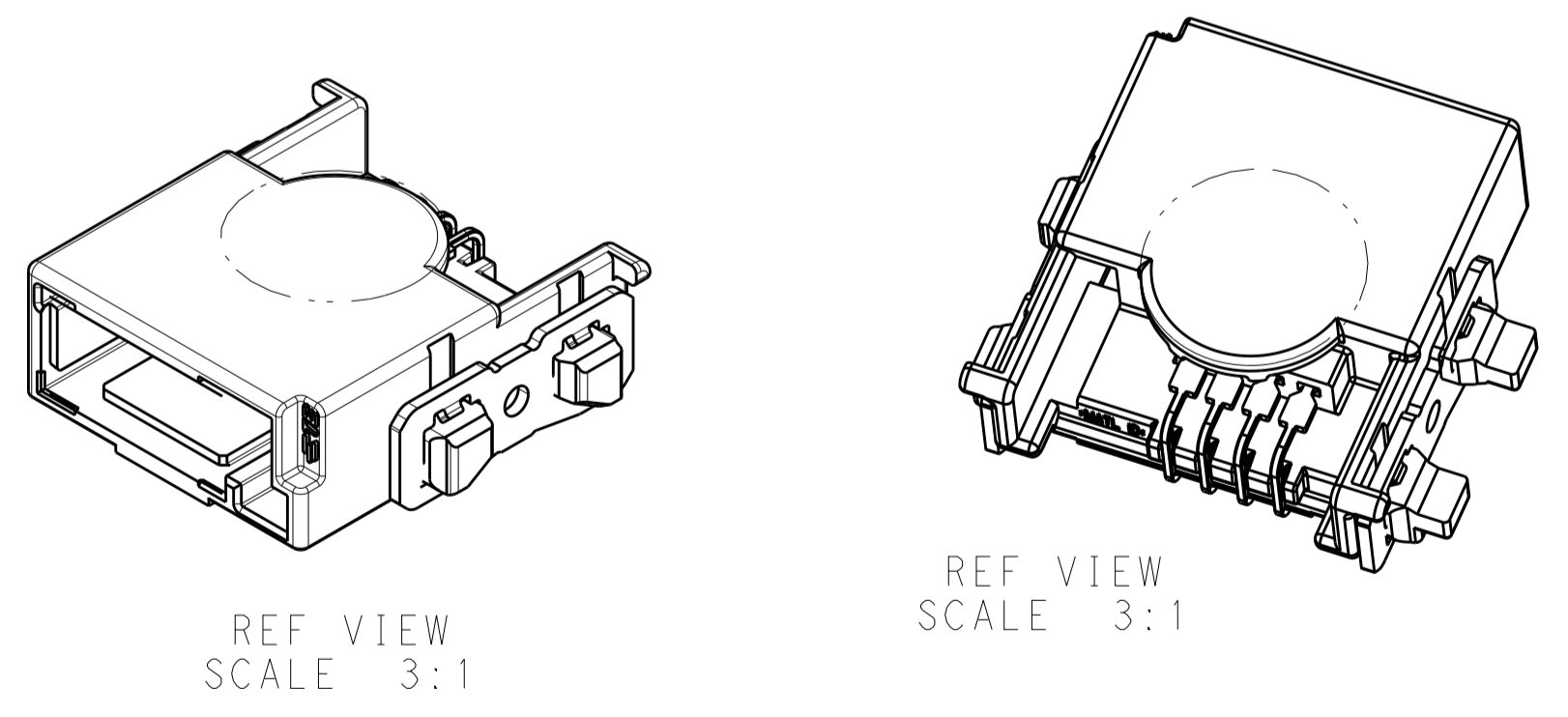


REVISIONS				
P.	LTN	DESCRIPTION	DATE	DWN APVD
A		RELEASED PER ECO-16-004159	17MAR2016	VP DS
B		REV PER ECO-17-008939	26JUN2017	HM DF

- 1 HOUSING: PCT, COLOR - BLACK
CONTACTS: BRASS
SOLDER CLIP: BRASS
- 2 SOLDER CLIP: 3.8µm MIN TIN OVER 1.27µm MIN NICKEL
- 3 CONTACT: 0.8µm MIN TIN IN MATING AREA AND 2.5µm MIN TIN IN SOLDER TAIL ALL OVER 2.00µm MIN NICKEL
- 4 DATUMS AND BASIC DIMENSIONS ESTABLISHED BY THE CUSTOMER
- 5 ALLOW FOR OVER PRINTING ON PC BOARD
- 6. THIS PRODUCT HAS NOT COMPLETED VALIDATION TESTING
- 7. NOT PRODUCTION TOOLED. NOT TESTED



RECOMMENDED PC BOARD LAYOUT
 CONNECTOR SIDE OF BOARD
 (1,58) THK PC BOARD
 SCALE 4:1



KEY CODE D	2272400-4
KEY CODE C	2272400-3
KEY CODE B	2272400-2
KEY CODE A	2272400-1
KEY CODE	PART NUMBER

THIS DRAWING IS A CONTROLLED DOCUMENT.		DWN: H. MOLL	20MAR2014
DIMENSIONS:		CHK: D. FRY	27OCT2015
TOLERANCES UNLESS OTHERWISE SPECIFIED:		APVD: D. FRY	27OCT2015
mm	0 PLC	PRODUCT SPEC	
	1 PLC	APPLICATION SPEC	
	2 PLC	SIZE	
	3 PLC	CAGE CODE	
	4 PLC	DRAWING NO	
	ANGLES	RESTRICTED TO	
	FINISH	WEIGHT	
MATERIAL		2.5 g	
		CUSTOMER DRAWING	
		SCALE 4:1 SHEET 1 OF 1 REV B	

NAME: HEADER ASSEMBLY, 1X4, SIDE LATCH, 1.80 CENTERLINE, SMT, UNSEALED, GENERATION 50
 SIZE: A1 00779 ©=2272400
 SCALE: 4:1 SHEET: 1 OF 1 REV: B