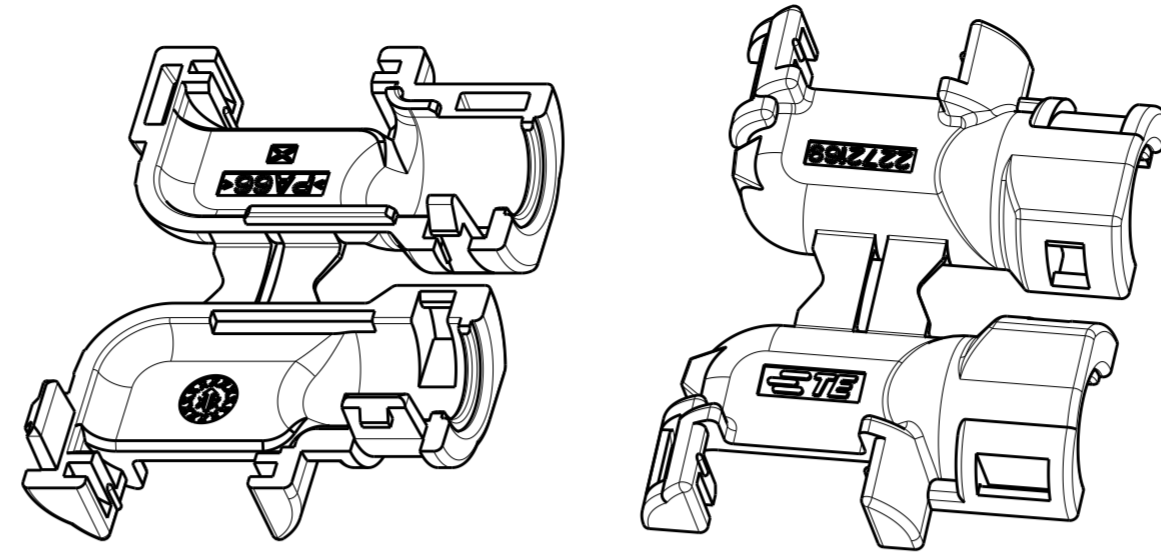


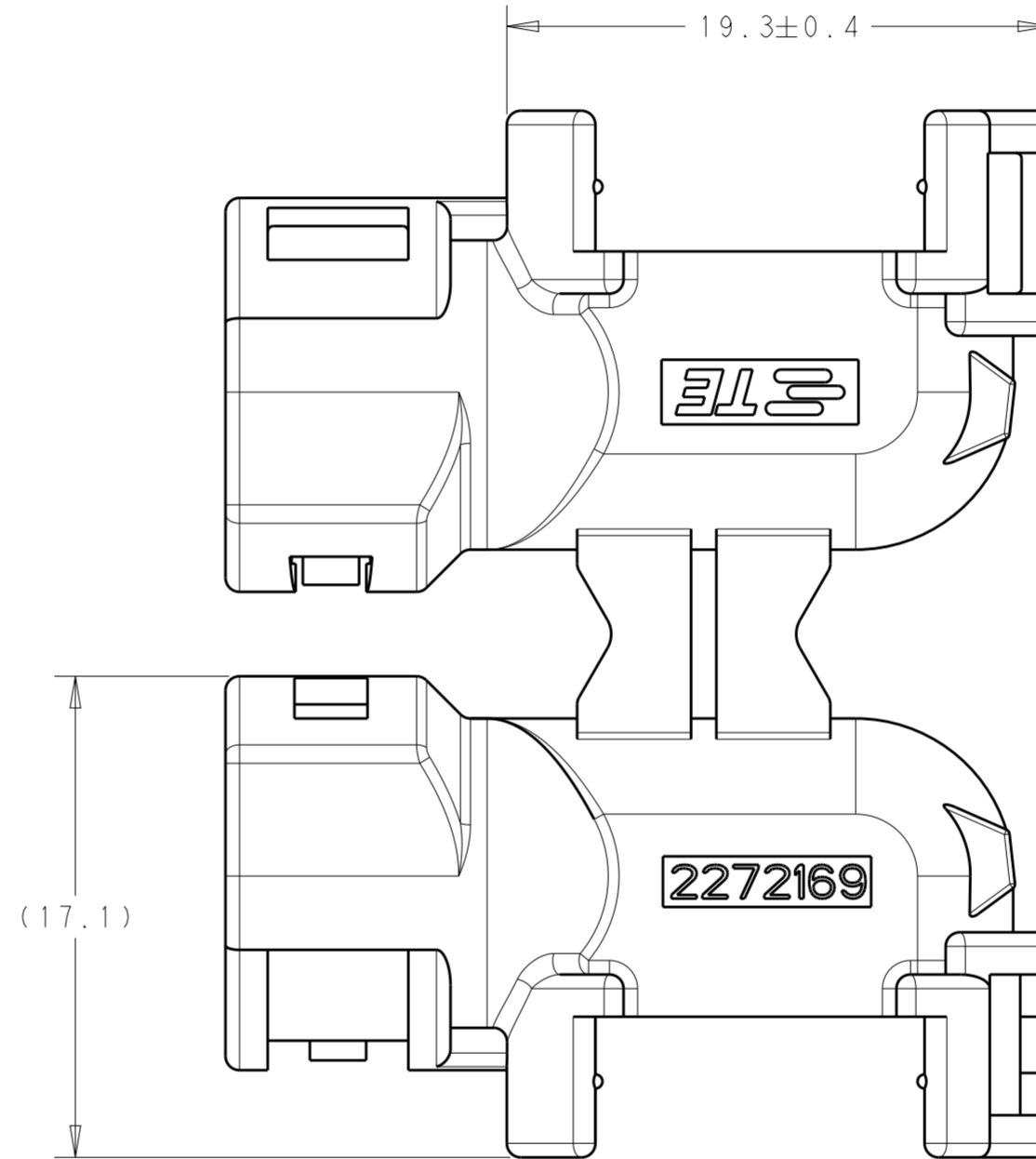
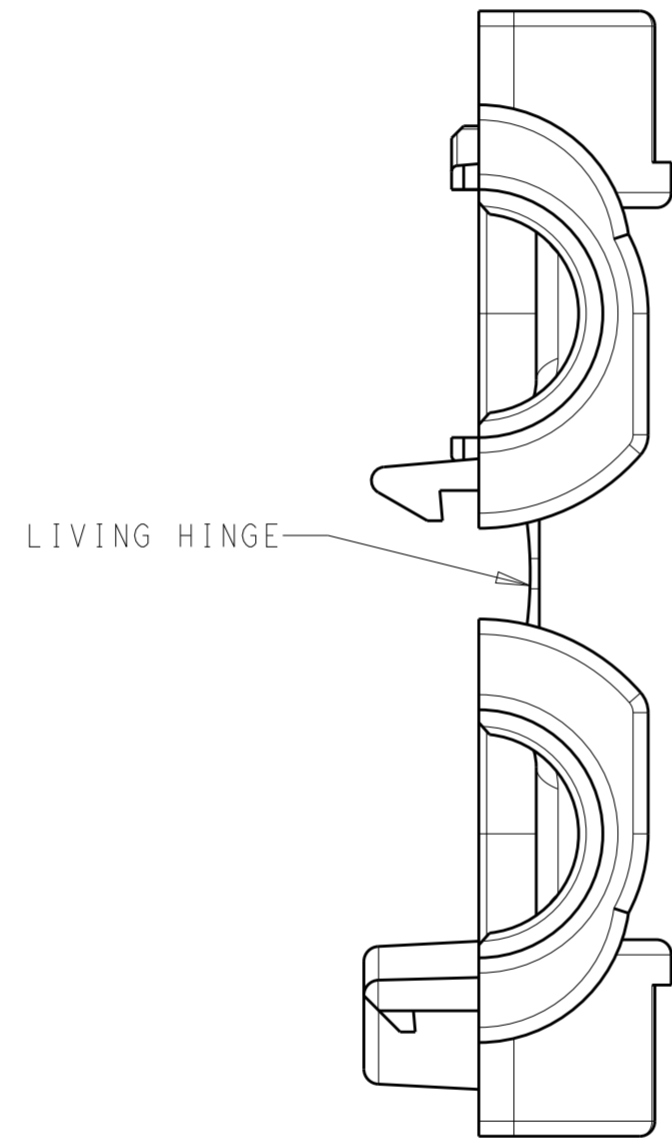
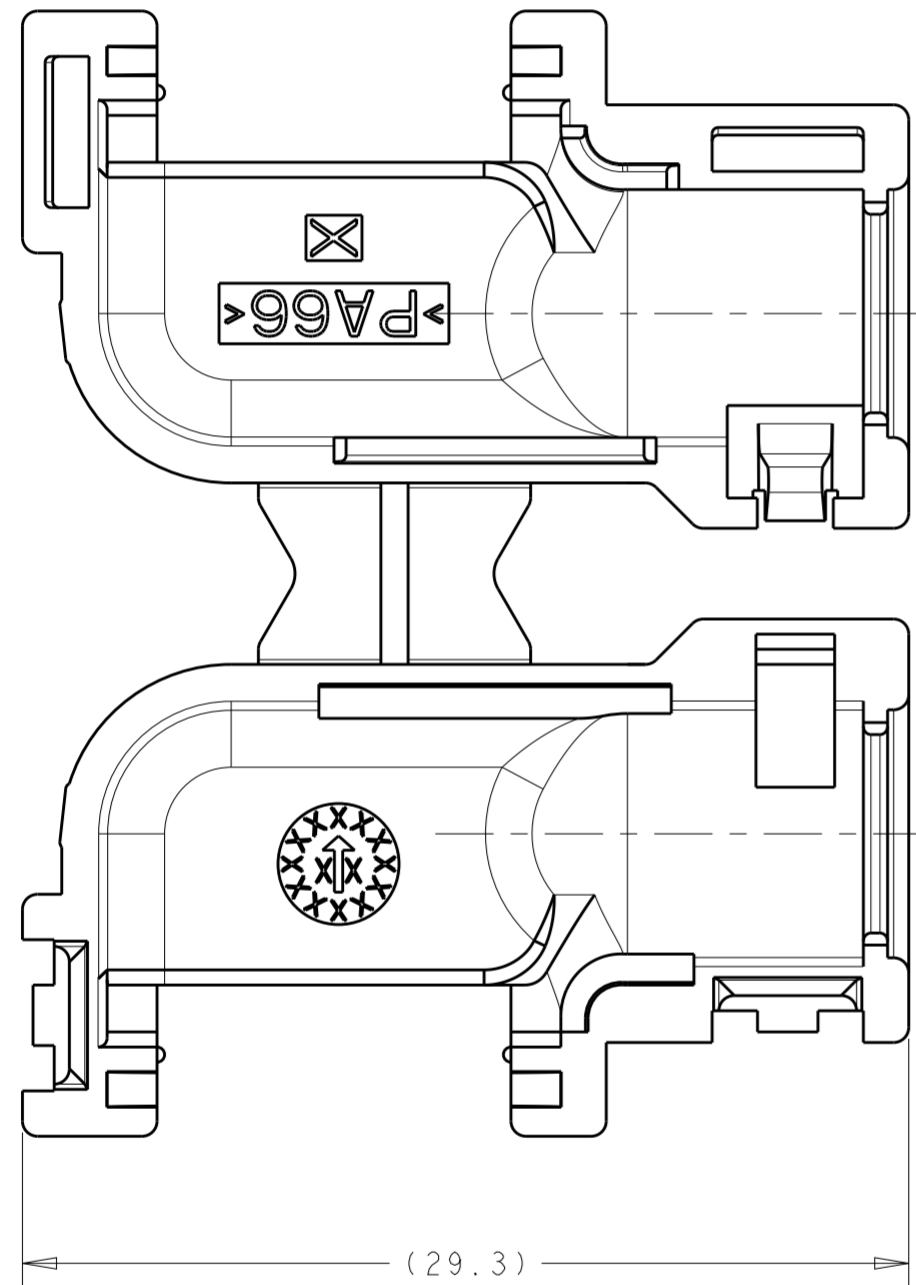
THIS DRAWING IS UNPUBLISHED. RELEASED FOR PUBLICATION 20
 © COPYRIGHT 20 BY - ALL RIGHTS RESERVED.

REVISIONS				
P	LTR	DESCRIPTION	DATE	APVD
A		RELEASED PER ECO-16-012674	26AUG2016	DD MB



ISOMETRIC VIEWS
SCALE 2:1

- 1. MATERIAL: PA66
COLOR: BLACK
- 2. MATES WITH TE SINGLE-PIECE AND SELECT TWO-PIECE FEMALE CONNECTORS. PART IS NOT TO BE USED WITH 2P MALE CONNECTOR HOUSING. CONTACT TE CUSTOMER SERVICE FOR SPECIFIC INQUIRIES.
- 3. ACCOMODATES WIRE CORRUGATED TUBING OF 5mm INNER DIAMETER.



2272169-1
TE PART NUMBER

THIS DRAWING IS A CONTROLLED DOCUMENT.		DWN M. BRENNER 29 JUL 2014	TE Connectivity	
DIMENSIONS:		CHK S. MANKARYOS 07AUG2014		
mm	TOLERANCES UNLESS OTHERWISE SPECIFIED:	APVD D. BROWN 07AUG2014	NAME MCON WIRE DRESS COVER 2 POSITION PLUG, RIGHT ANGLE	
0 PLC ±	1 PLC ±0.3	PRODUCT SPEC	SIZE	CAGE CODE
2 PLC ±0.10	3 PLC ±	APPLICATION SPEC	A200779	C-2272169
4 PLC ±	ANGLES ±1°	WEIGHT	SCALE	SHEET
MATERIAL	FINISH	CUSTOMER DRAWING	4:1	1 OF 1
1	-			REV A