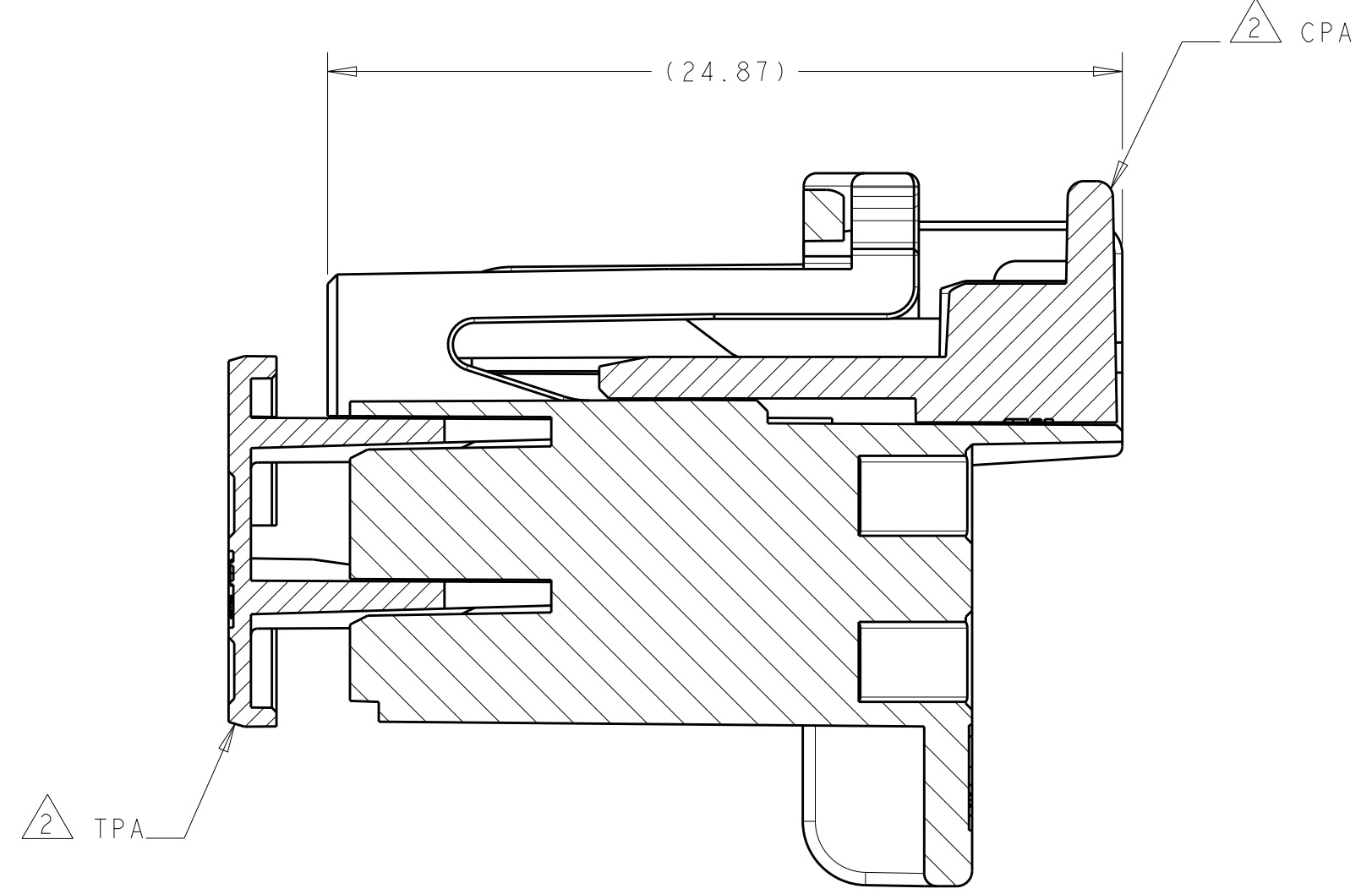
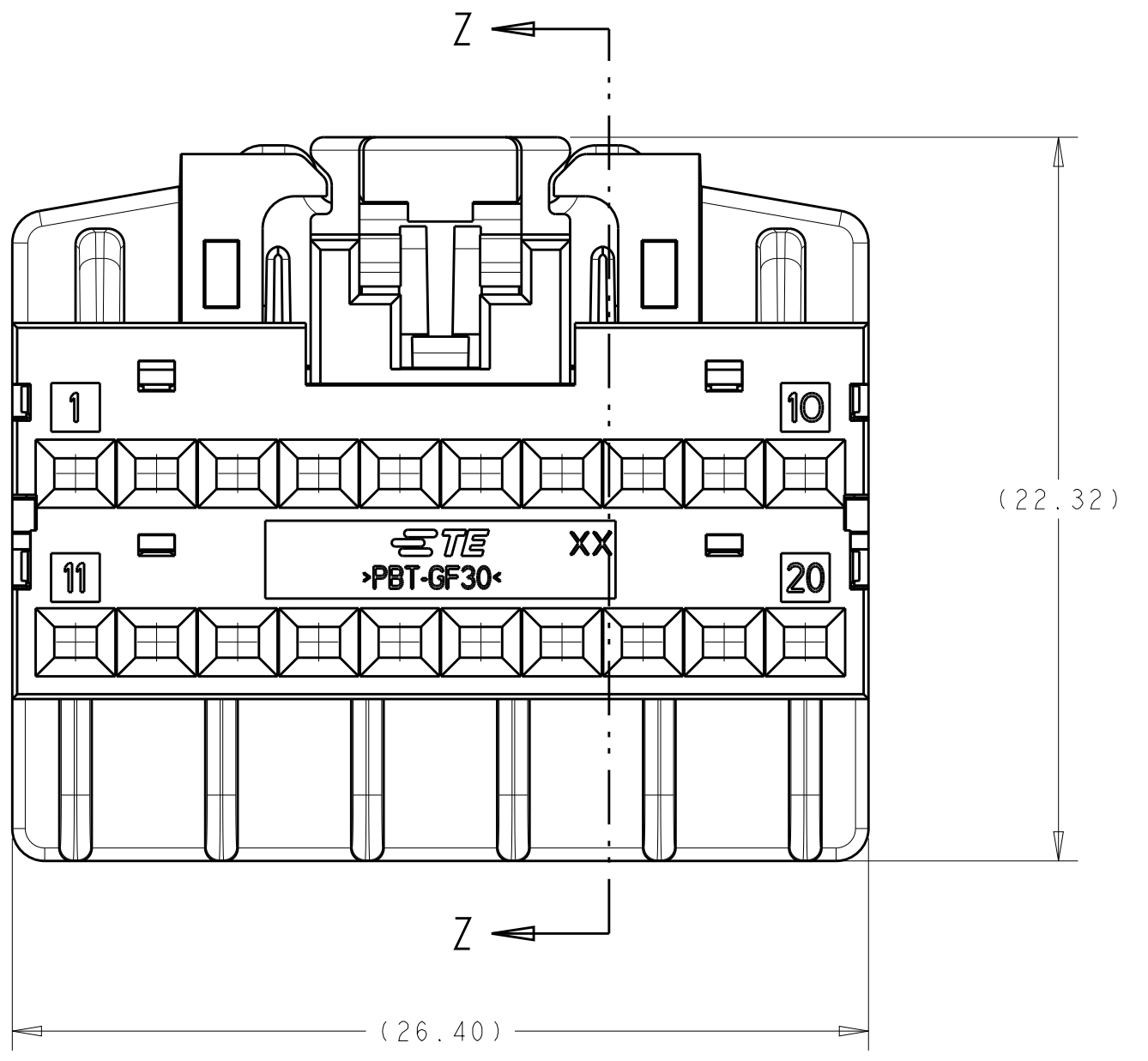
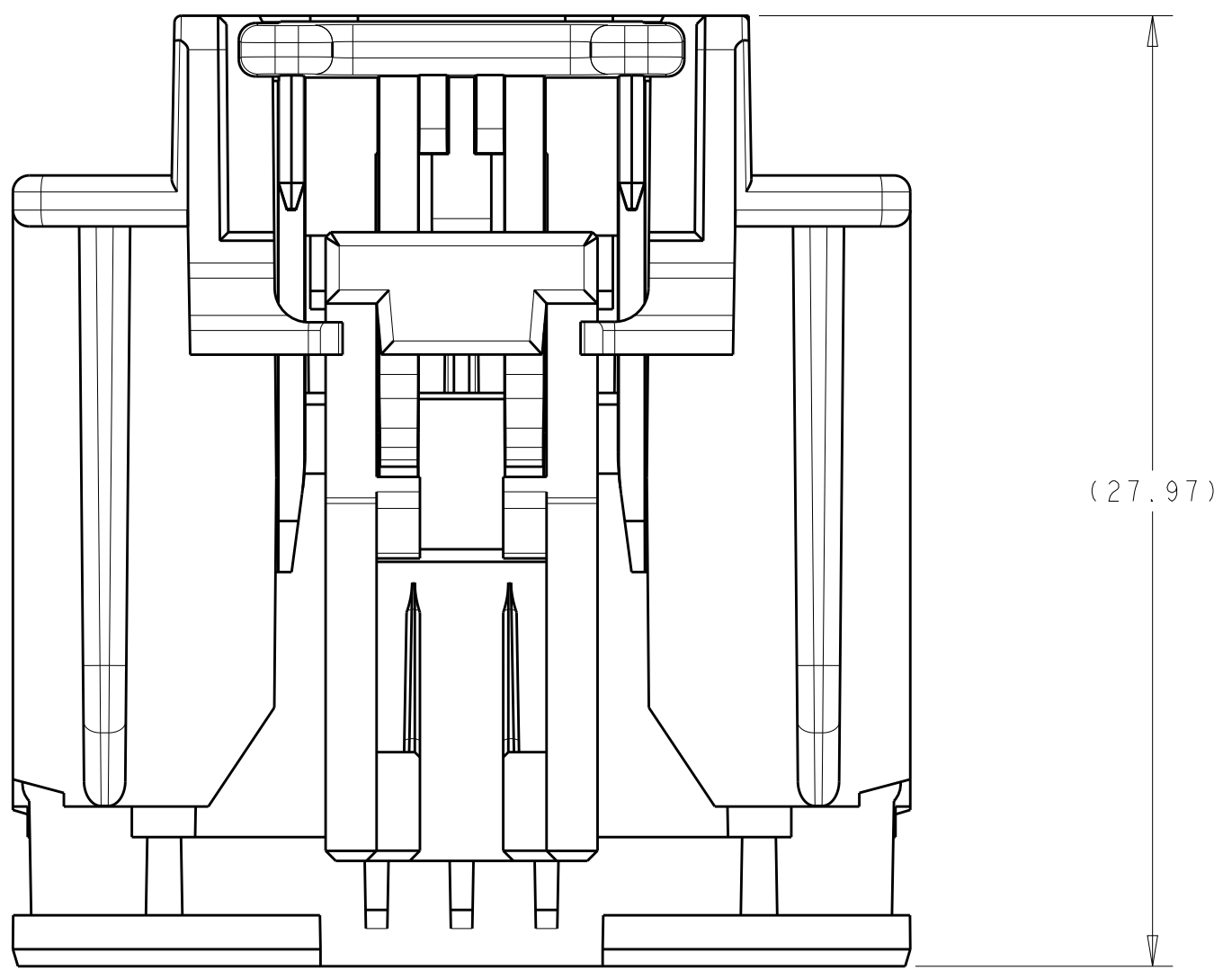
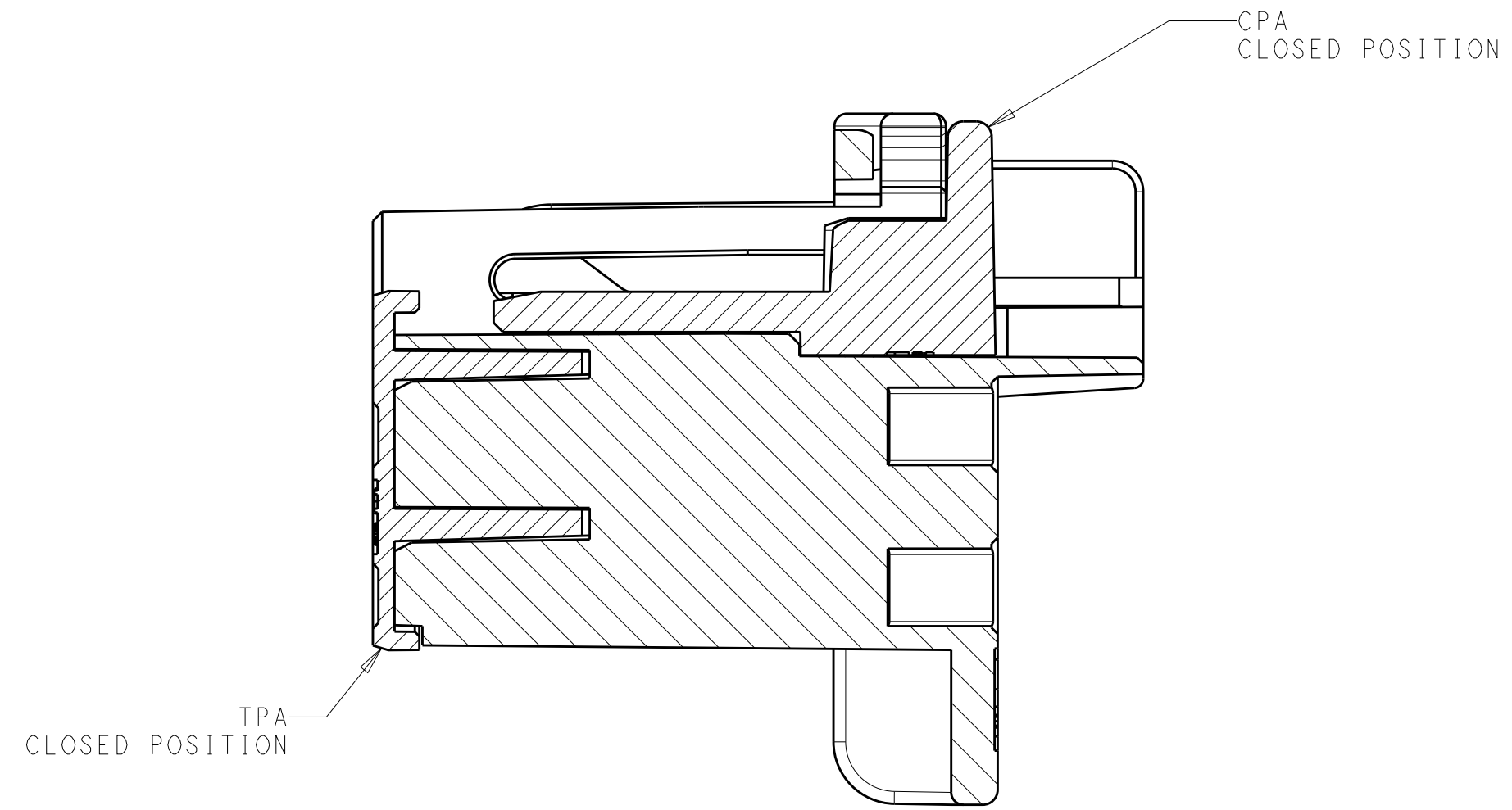


REVISIONS				
P.	LTN	DESCRIPTION	DATE	APVD
A		RELEASED PER ECO-14-008760	09OCT2013	SDR SDR
A2		REVISED PER ECO-14-010523	10JUL2014	DLD SDR

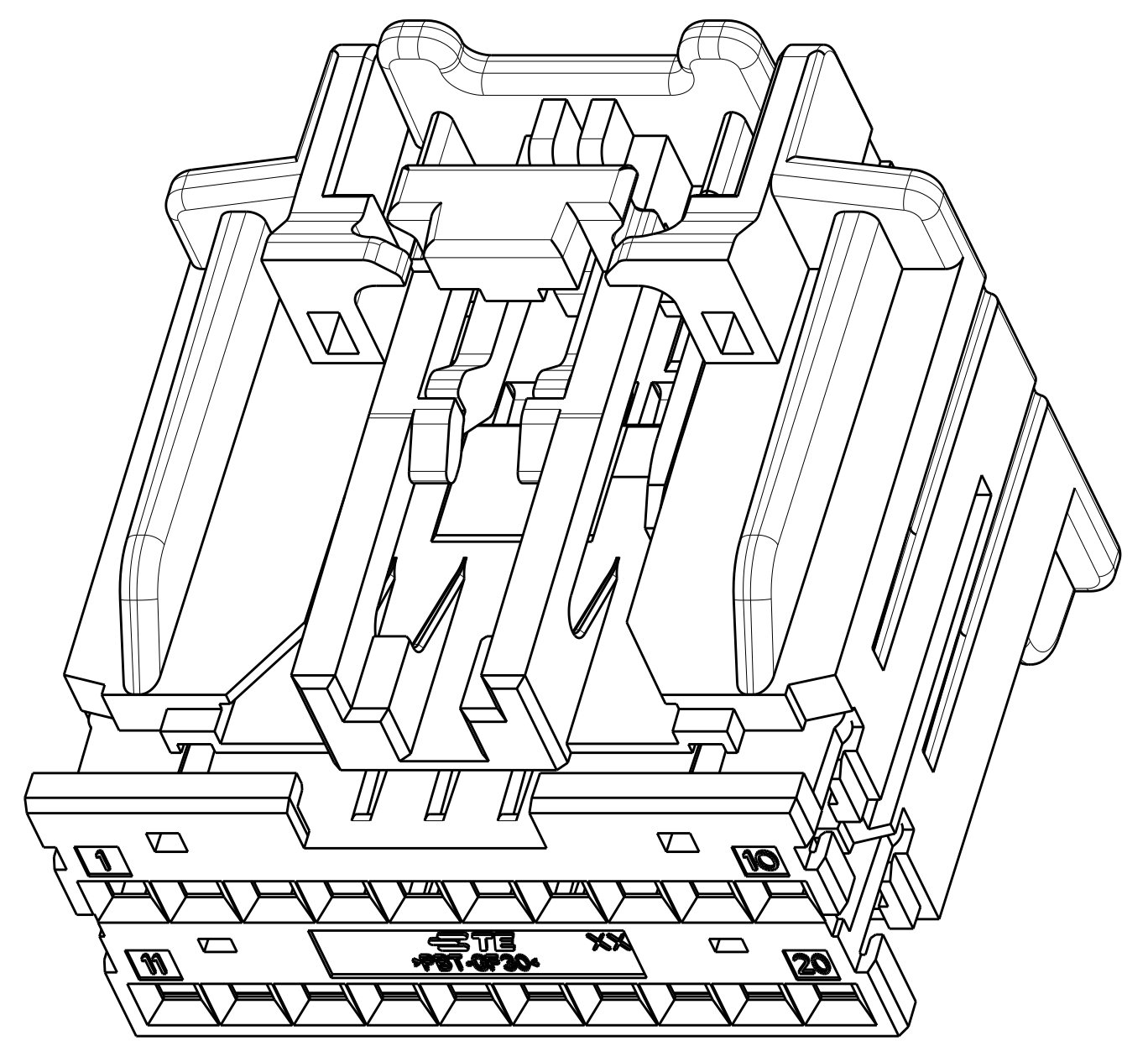


SECTION Z-Z



SECTION Z-Z  
 TPA AND CPA SHOWN IN CLOSED POSITION  
 SCALE 5:1

- △ MATERIAL: PLUG HOUSING - PA66, GLASS FILLED, BLACK  
 TPA - PBT, GLASS FILLED, RED  
 CPA - PA66, GLASS FILLED, GRAY
- △ TPA AND OPTIONAL CPA SHOWN IN PRE-LOCK, AS SHIPPED POSITION
- 3. TERMINALS SOLD SEPARATELY. FOR USE WITH GET RECEPTACLE CONTACTS. REFERENCE PART NUMBERS 1393366-1 AND 1393367-1
- 4. APPLICABLE INTERFACE DETAILS: CONTACT TE SALES
- 5. NOTE REMOVED
- 6. ASSEMBLY IS SHIPPED WITH TPA AND CPA IN PRE-LOCK POSITION AS SHOWN. TPA MAY CLOSE INADVERTENTLY DURING SHIPPING. REFERENCE 408-32130 FOR INSTRUCTIONS ON RELOCATION OF TPA TO OPEN POSITION PRIOR TO INSERTING TERMINALS



ISOMETRIC VIEW  
 SCALE 5:1

YES	2272006-2
NO	2272006-1
OPTIONAL CPA	PART NUMBER

THIS DRAWING IS A CONTROLLED DOCUMENT.		DWN S. ROIS 10JUN2014	TE Connectivity	
DIMENSIONS: mm		CHK D. BROWN 10JUN2014		
TOLERANCES UNLESS OTHERWISE SPECIFIED:		APVD D. BROWN 10JUN2014	NAME	
0 PLC ±	1 PLC ±0.3	PRODUCT SPEC	PLUG ASSEMBLY	
2 PLC ±0.1	3 PLC ±	APPLICATION SPEC	20 POSITION, UNSEALED	
4 PLC ±	ANGLES ±	WEIGHT	GET	
FINISH		CUSTOMER DRAWING	SIZE A1	CAGE CODE C=2272006
MATERIAL		SCALE 4:1	SHEET 1	OF 1
REV A2				