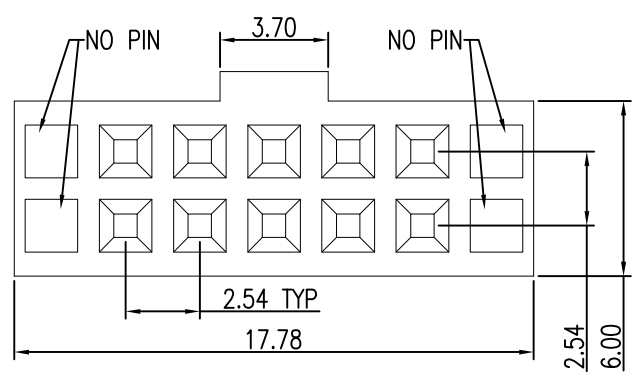
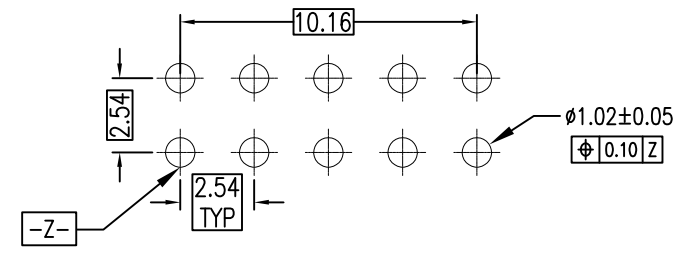


THIS DRAWING IS UNPUBLISHED. RELEASED FOR PUBLICATION
 © COPYRIGHT - By - ALL RIGHTS RESERVED.

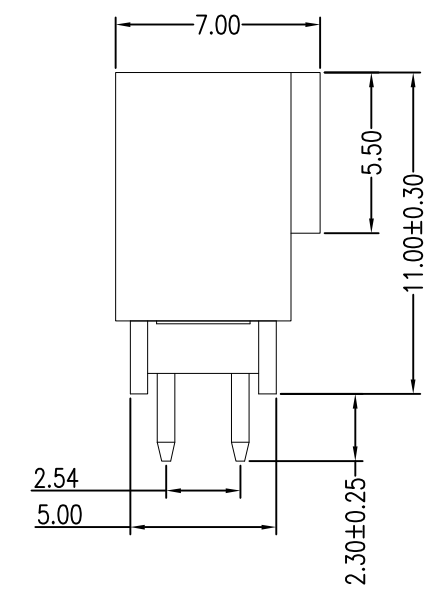
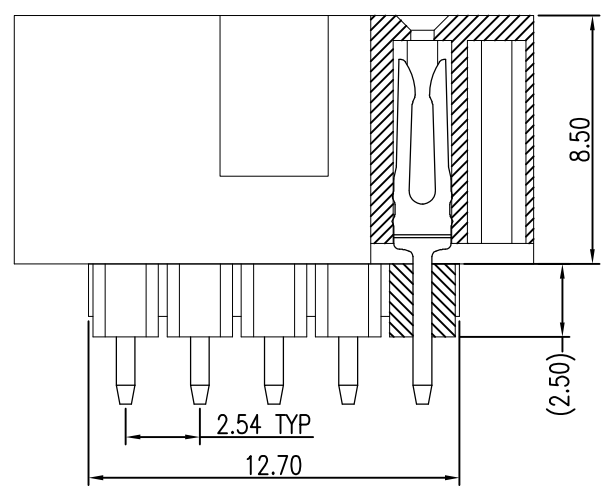
REVISIONS					
P	LTR	DESCRIPTION	DATE	DWN	APVD
	A	INITIAL DRAWING	11OCT2016	A.Y	R.B



Recommended P.C.B Layout



Recommended P.C.B Layout



1. Product Specification:
 2. Rated Current: 3.0AMP.
 3. Contact Resistance: 20mΩ Max.
 4. Withstand Voltage: 1000V AC/DC
Insulation Resistance: 1000MΩ Min.
 5. Operation Temperature: -40°C to +105°C
 6. Recommended soldering process:
Wave Soldering 260°C(peak temperature), 3s
 7. Contact Material: Brass
 8. Contact Plating: See product family table
 9. Insulator Material: See product family table
- Contact Plating Coding:
S1=3u"Gold on contact area/Tin on tail with Nickel underplating

TRAY	S1	PBT+30%G.F UL94V-0 BK	10	5	1-2271785-0
PACKAGING	FINISH	INSULATING MATERIAL	No. of Pins	POS	PN
PRODUCT FAMILY TABLE					

THIS DRAWING IS A CONTROLLED DOCUMENT.		DWN	11OCT2016	STE TE Connectivity	
		ANDY YANG	11OCT2016		
		CHK	RICK BIAN		
		APVD	XIANG XU		
DIMENSIONS: mm		TOLERANCES UNLESS OTHERWISE SPECIFIED:		NAME AMPMODU, BOX REC, 2.54PITCH, 10 PIN	
		0 PLC	± -	PRODUCT SPEC 108-137777 APPLICATION SPEC -	
		1 PLC	± -		
		2 PLC	± 0.25		
		3 PLC	± -		
MATERIAL		FINISH		SIZE	RESTRICTED TO
-		-		CAGE CODE	-
				DRAWING NO	-
				WEIGHT	0
				SCALE	1:1
				SHEET	1 OF 1
				REV	A
				CUSTOMER DRAWING	